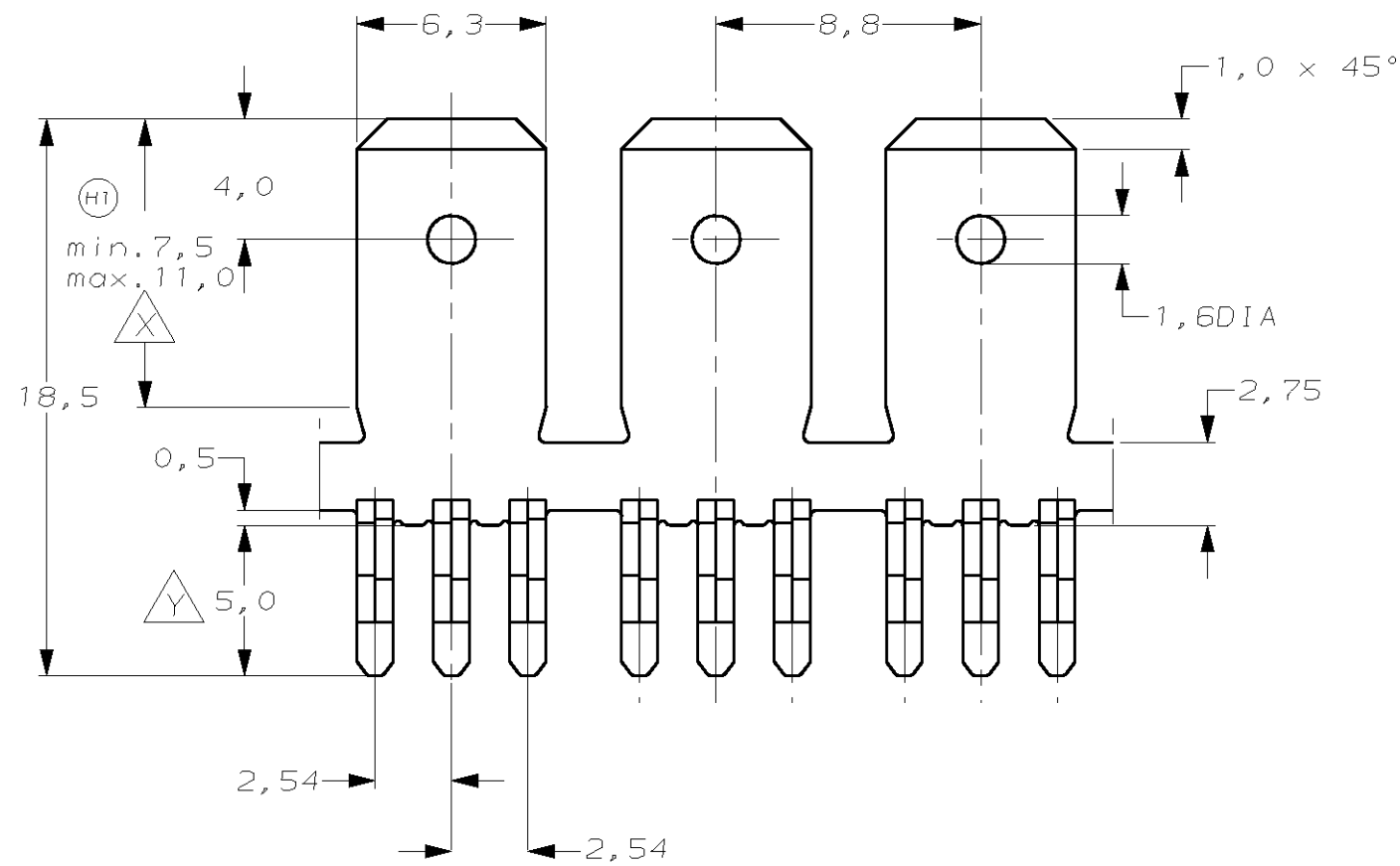
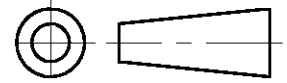


DO NOT SCALE

DIMENSIONS IN mm

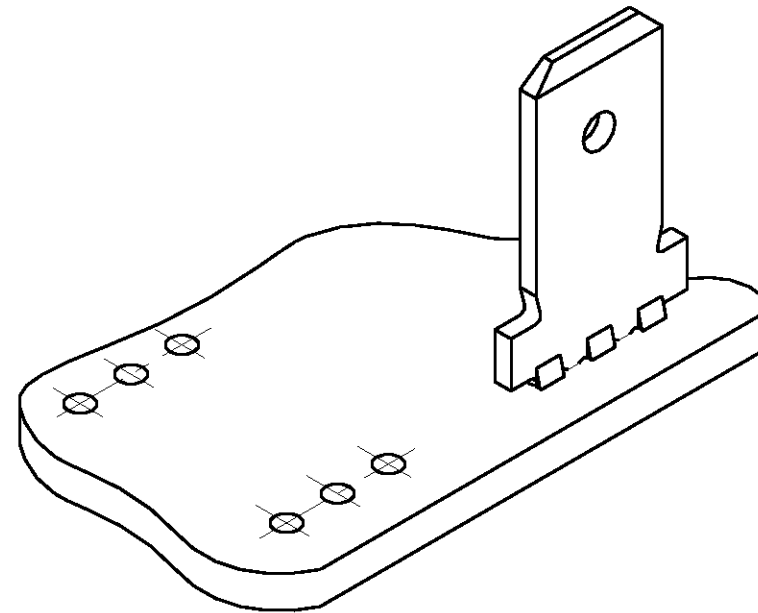
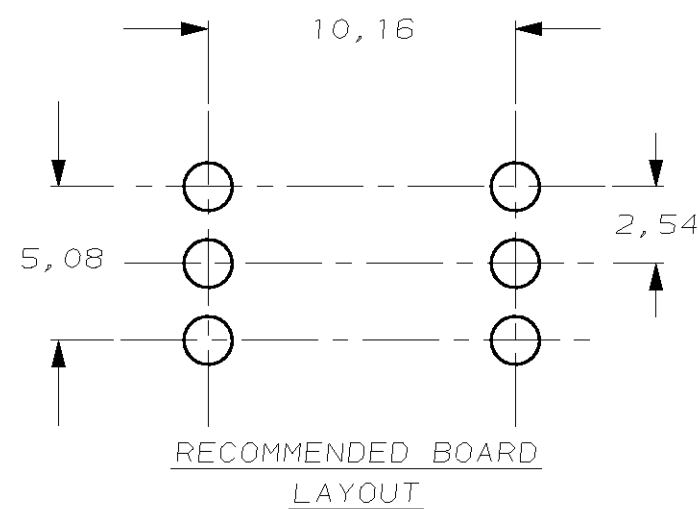
THIRD ANGLE
PROJECTION



NOTES:

- ① PHOSPHORBRONZE # 4 HD / THICKNESS 0,8mm
- ② 2,54µm Sn OVER
1,25µm MIN. NICKEL.
- ③ PLATING: UNDERLAYER; 1,25µm min. NICKEL
ZONE X ; 3µm Ag MIN.
ZONE Y ; 2,54µm-5,00µm Sn
- ④ PLATING: 1.25 µm min. NICKEL OVER ALL
ZONE X ; 1 - 3µm SN
- ⑤ Added PN 216842-6 with splices on reel. it is up to Max. 3 splices joints per reel. This PN is following same product specification of PN 216842-4

J2



P.C.B. HOLE DIM. ACTION PIN	
DRILLED HOLE	:1,6 ±0,025 mm
FIN. HOLE	:1,39 ^{+0,15} mm
AFTER REFLOW	:1,37 ^{+0,15} mm
Cu-thks	:0,025 to 0,075 mm
Sn-thks or SnPb-thks	:0,004 to 0,010 mm

⑤	①	216842-6	J
④	①	216842-5	J
③		216842-4	J
②		216842-2	J
FINISH	MATERIAL	PARTNUMBER	Rev

CUSTOMER DRAWING



REV.	ECN No.	DRW.	APVD	DATE	CHK.	DATE	APP.	DATE
J6	ECR-19-005159	KY	TD	3APR2019	DR.	J.v.LIEMPT.	DATE	02.01.90
J5	ECR-19-000338	KY	TD	15JAU2019	CHK.	A. BIJNEN	DATE	30-11-01
J4	ECR-16-012935	BW	RS	20SEP2016	APP.	A. BIJNEN	DATE	30-11-01

REVISION RECORD

WIRE RANGE		NAME		REV. DATE	
-		.250 SRS TAB WITH ACTION-PIN FOR POSITIVE LOCK RECEPTACLE (FOR 1,6-3,2 PC.B. THICKNESS)		D M Y	
INSUL. RANGE		DWG. No.		REV. LTR.	
-		C-216842		J6	