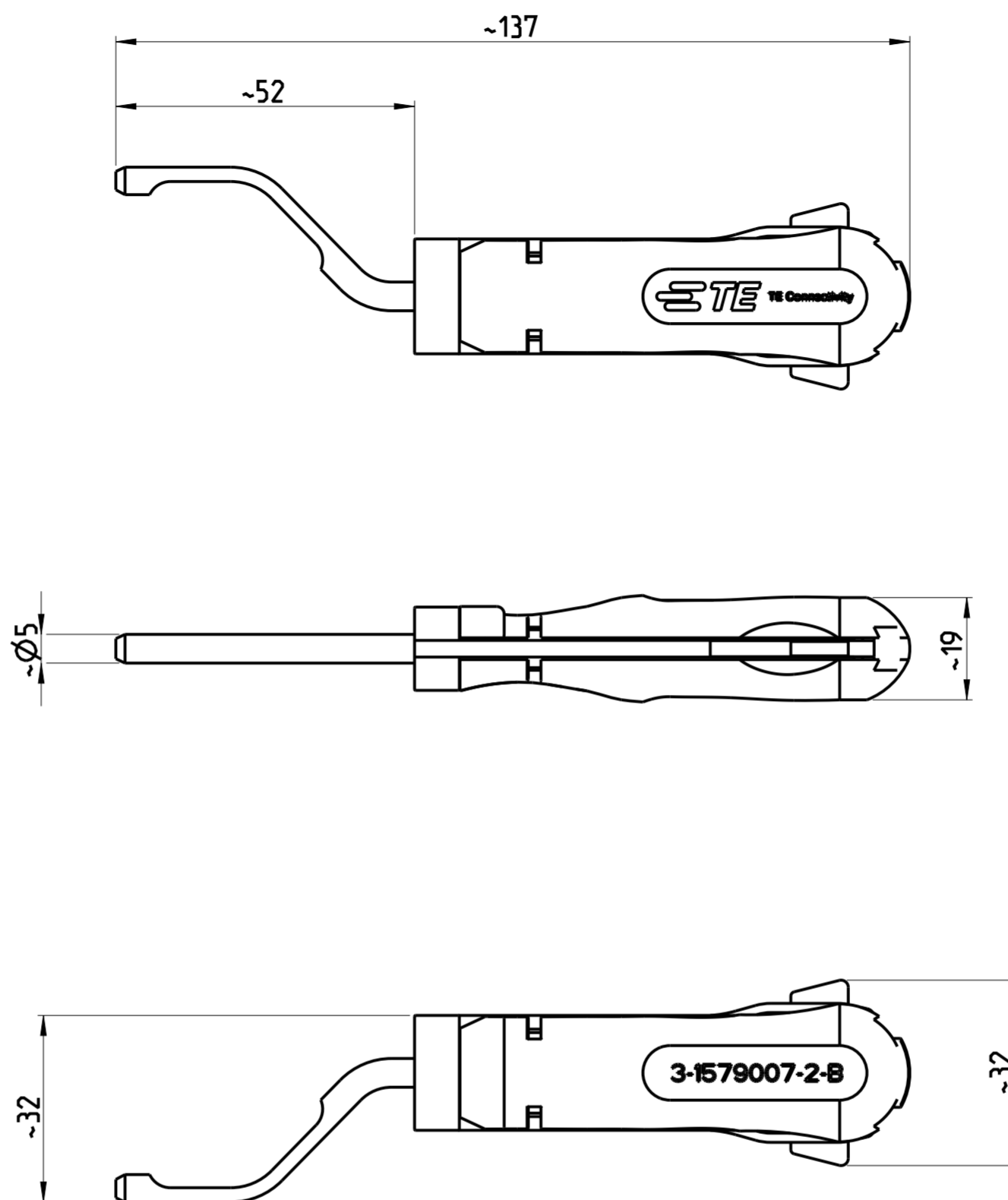
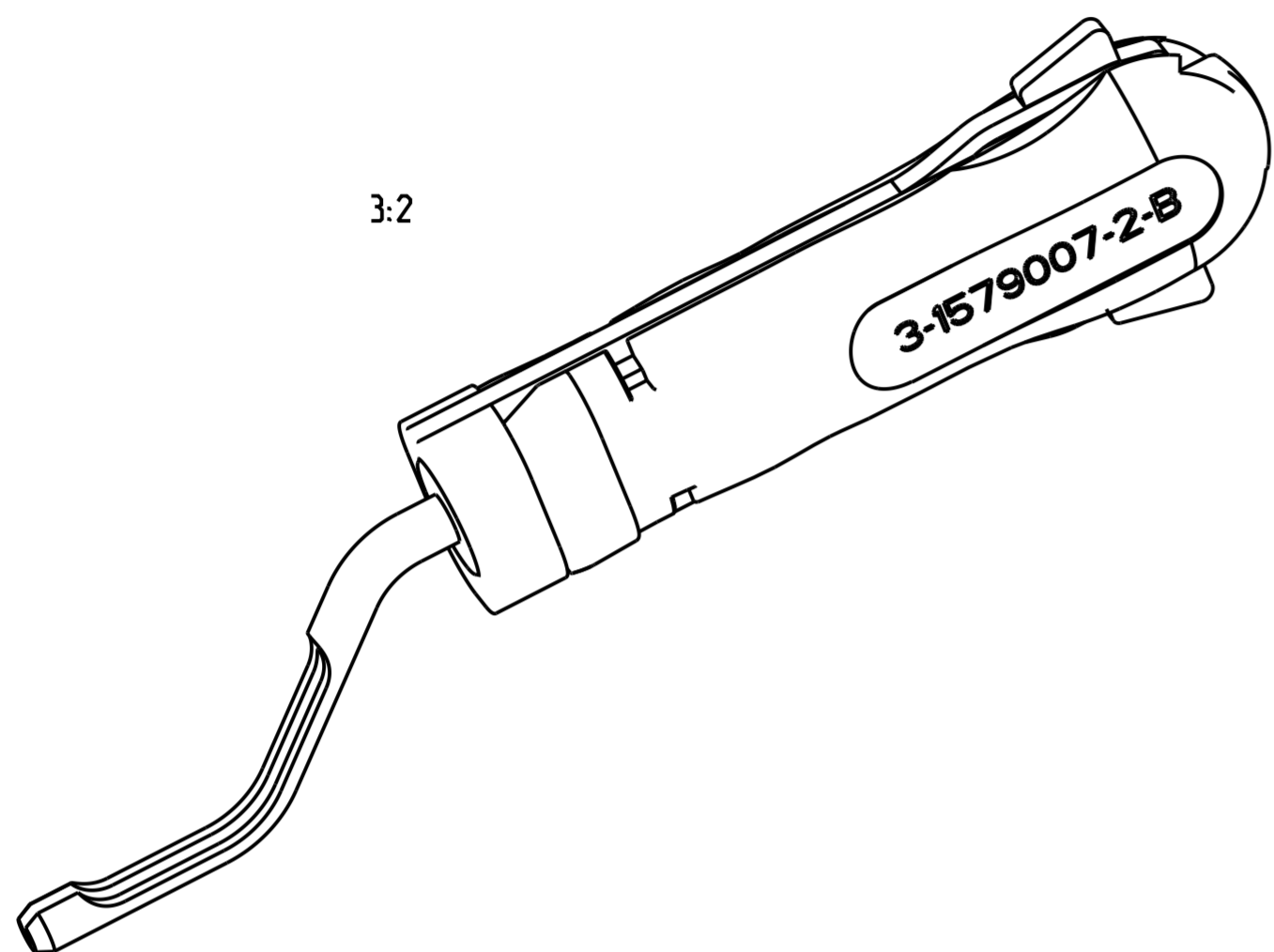


REVISIONS					
P	LTR	DESCRIPTION	DATE	DWN	APVD
	C	ECR-17-000823	19JAN2017	KH	RG
	C1	ECR-20-017979	02FEB2021	PNT	GS



APPLICATION RANGE/  
ANWENDUNGSBEREICH

2.5mm Single Wire System  
Insulation diameter 2.1mm  
pin and socket contact /  
2.5mm Einzeldichtungssystem  
Isolationsdurchmesser 2.1mm  
Stift- und Buchsenkontakt

THIS DRAWING IS A CONTROLLED DOCUMENT.		DWN M. Delp 15 JAN 2008	 TE Connectivity
DIMENSIONS: mm		CHK G. Stegmayer 15 JAN 2008	
		APVD G. Stegmayer 15 JAN 2008	
TOLERANCES UNLESS OTHERWISE SPECIFIED:		NAME INSERTION TOOL Einsetzwerkzeug	
0 PLC ±		PRODUCT SPEC	
1 PLC ±		APPLICATION SPEC	
2 PLC ±		SIZE A2	
3 PLC ±		CAGE CODE 00779	
4 PLC ±		DRAWING NO C-3-1579007-2	
ANGLES ±		RESTRICTED TO	
FINISH ±		WEIGHT 0.031 kg	
MATERIAL		SCALE 1:1	
		SHEET 1 OF 1	
		REV C1	
		CUSTOMER DRAWING	