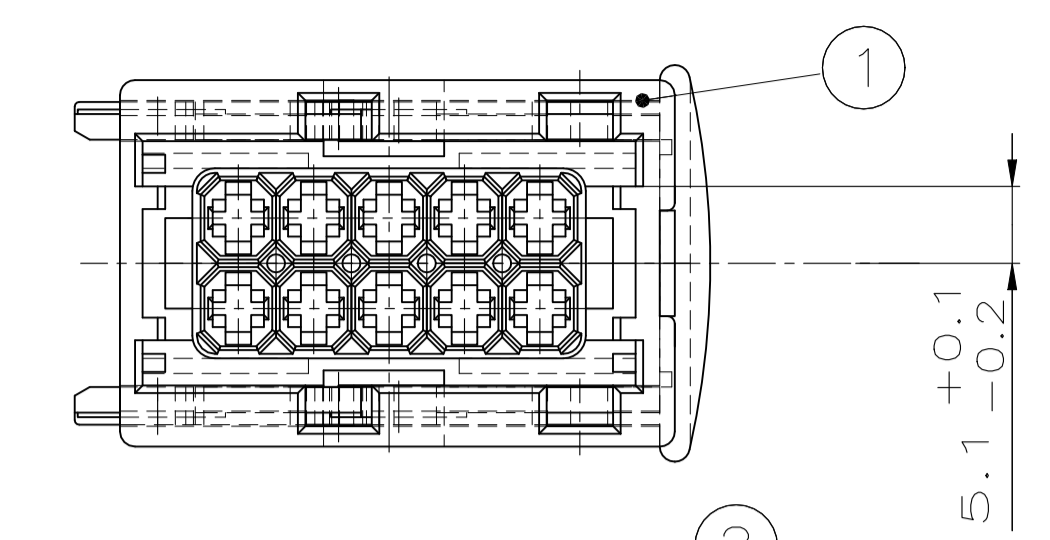
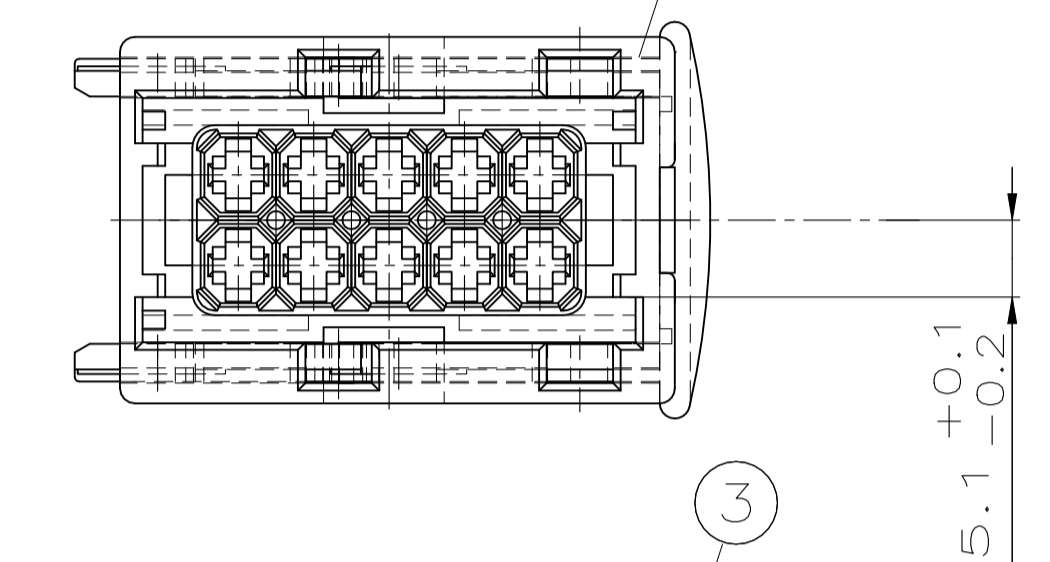


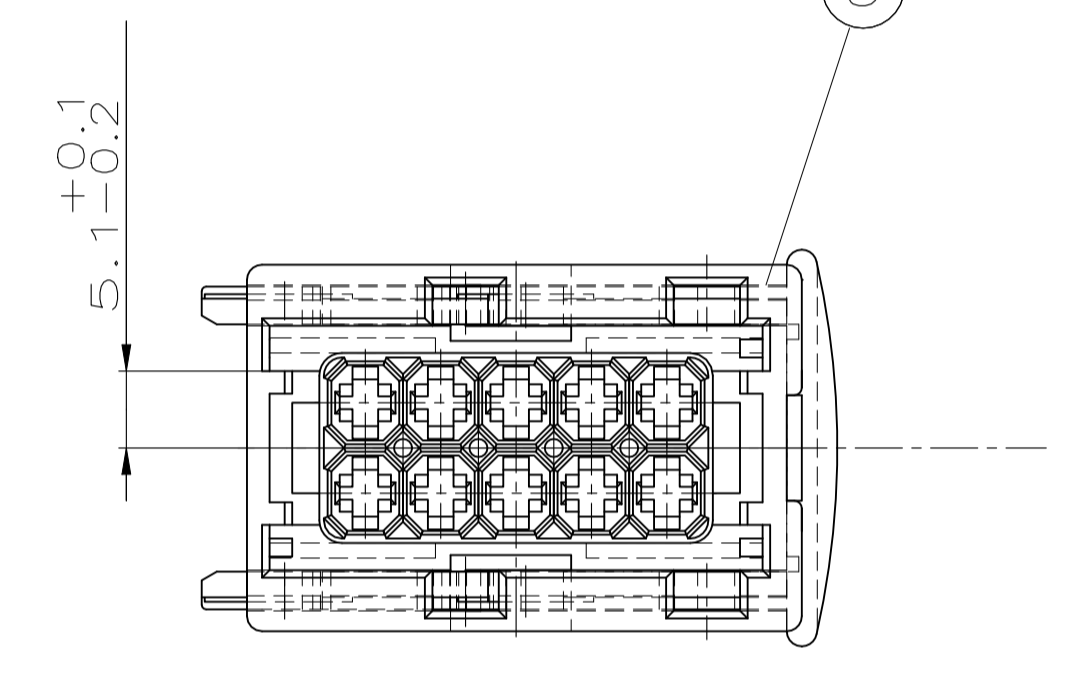
CODING A1



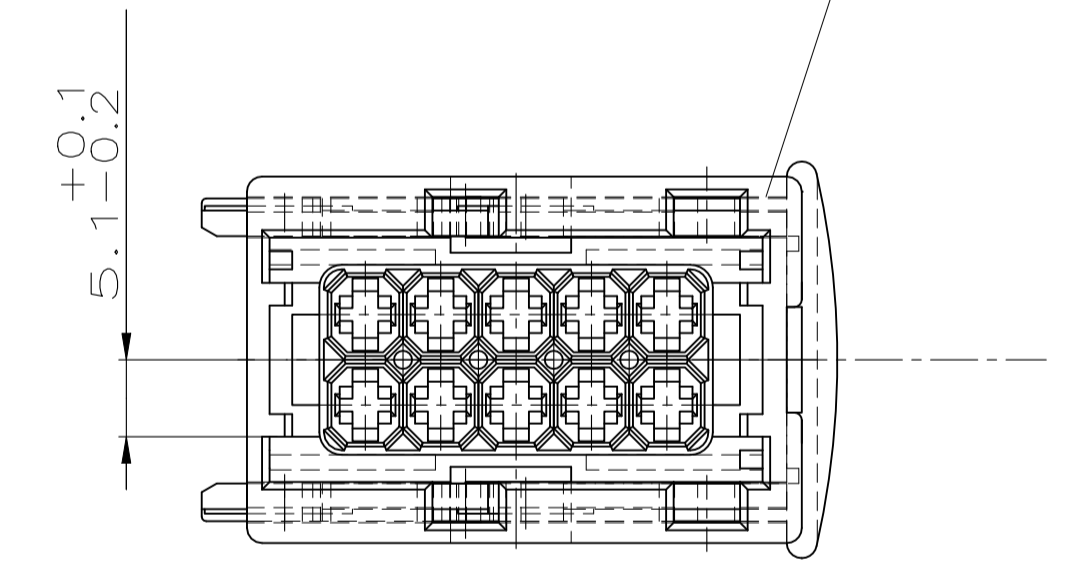
CODING B1



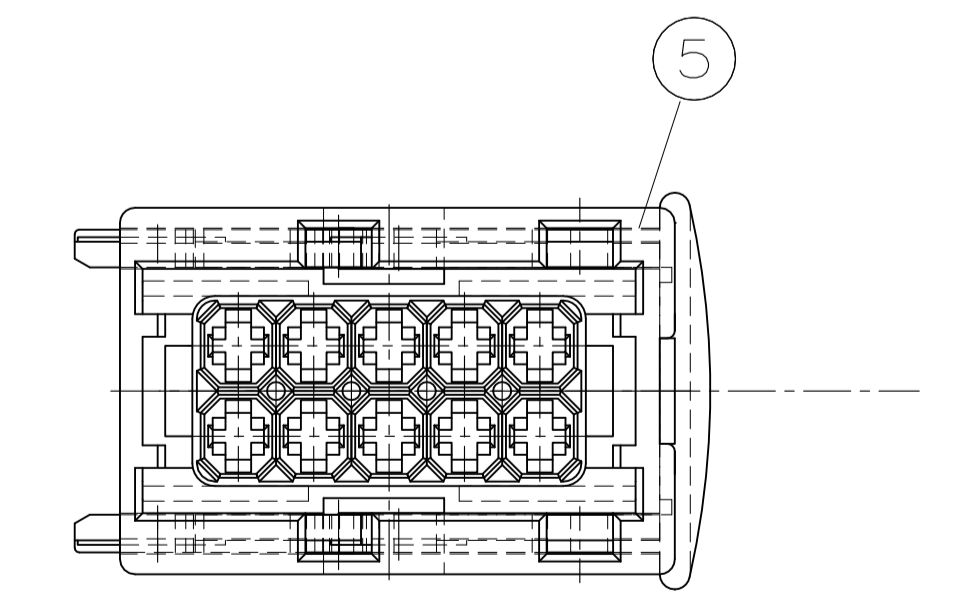
CODING C1



CODING D1



CODING N



SAAB PART NO	AMP PART NO	REV.	PCS.	MATERIAL	SURFACE COLOR	DESCRIPTION	ITEM NO
4114005	5-963214-1	D	1	PBT-GF30	RED	SLIDE	6
	CODING N		1	PBT/ASA-GF30	WHITE	JPT HOUSING, 10POS.	5
4114047	4-963214-1	D	1	PBT-GF30	RED	SLIDE	6
	CODING D1		1	PBT/ASA-GF30	BROWN	JPT HOUSING, 10POS.	4
4114039	3-963214-1	D	1	PBT-GF30	RED	SLIDE	6
	CODING C1		1	PBT/ASA-GF30	BLUE	JPT HOUSING, 10POS.	3
4114021	2-963214-1	D	1	PBT-GF30	RED	SLIDE	6
	CODING B1		1	PBT/ASA-GF30	GREY	JPT HOUSING, 10POS.	2
4114013	1-963214-1	D	1	PBT-GF30	RED	SLIDE	6
	CODING A1		1	PBT/ASA-GF30	BLACK	JPT HOUSING, 10POS.	1

THE DRAWING IS A CONTROLLED DOCUMENT FOR AMP INCORPORATED. IT IS SUBJECT TO CHANGE AND THE CONTROLLING ENGINEERING ORGANIZATION SHALL BE CONTACTED FOR THE LATEST REVISION. ANY CHANGES TO THIS DRAWING WITHOUT THE APPROVAL OF THE CONTROLLING ENGINEERING ORGANIZATION SHALL BE CONSIDERED UNAUTHORIZED.

DATE: 29.03.93
 BY: S. Garcia
 CHECKED: W. Stabroth

PRODUCT SPEC: 108-18102
 APPLICATION SPEC: 114-18175

TE Connectivity

JPT HOUSING, 10POS.

JPT Gehäuse, 10polig

SIZE: A100779
 CAGE CODE: 963214
 DRAWING NO.: 963214

RESTRICTED TO KUPF FIBER

CUSTOMER DRAWING /KUNDENZEICHNUNG

MATERIAL: -

FINISH/OBERFLÄCHE/FARBE: -

SCALE: 2:1

BLATT 1 OF 1

REV D1