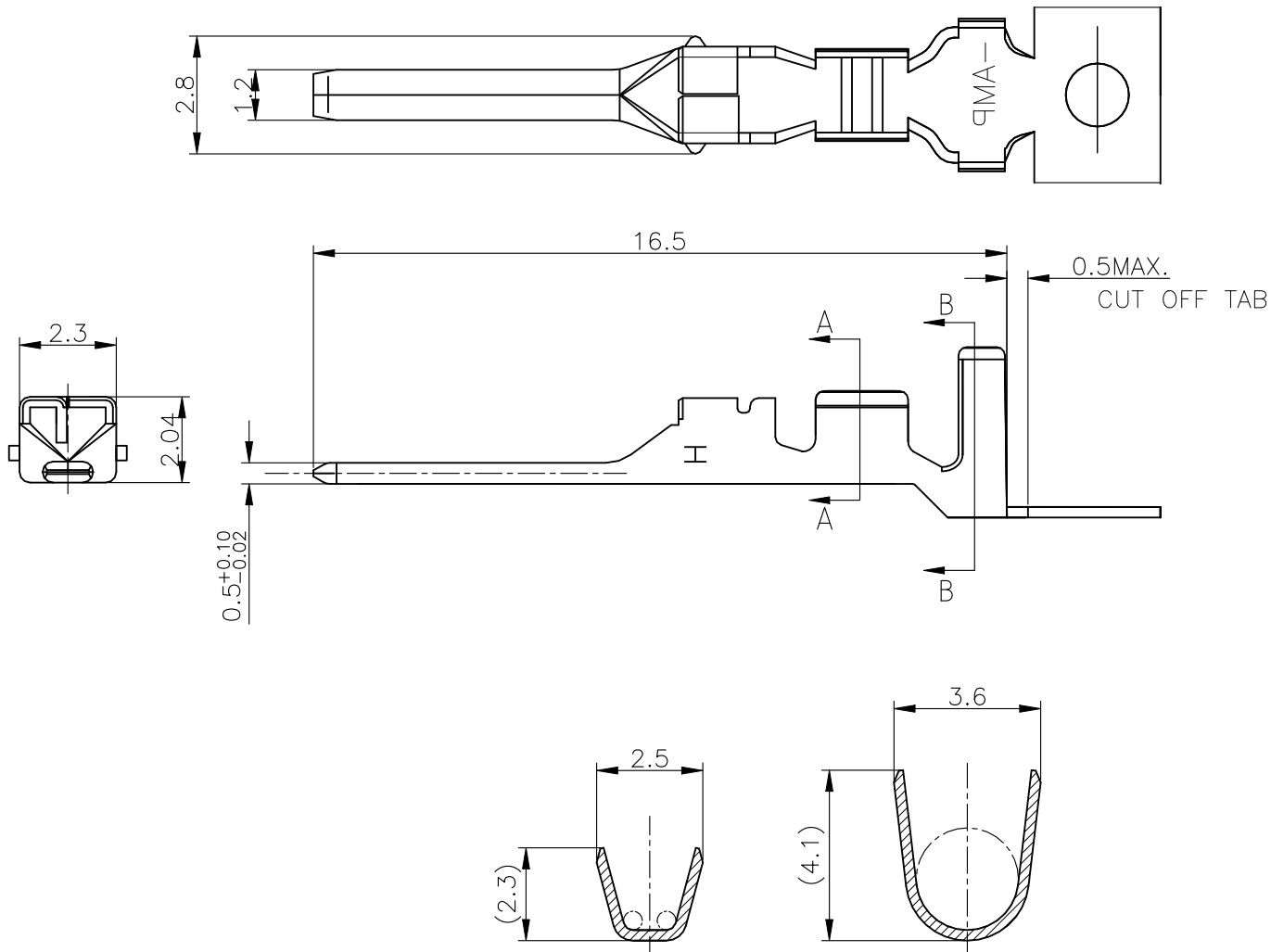


REVISIONS 変更					
P	LTR	DESCRIPTION	DATE	DWN	APVD
	A1	REVISED PER ECR-24-203147	20MAR2024	SC	D.Z



注)
 1.一般公差：±0.25
 2.材料：錫めっき済 銅合金

NOTES)
 1.GENERAL TOLERANCE:
 2.MATERIAL:PRE-TIN COPPER ALLOY

1565080-1

PART NUMBER

WIRE RANGE
 抱合電線断面積 0.3-0.9mm² (AWG#22-18)

INSULATION DIA
 被覆外径 ø1.5-2.7mm

DIMENSIONS:
 単位： 耗
 mm

DWN A.OISHI 30 MAY.'02
 CHK M.SHINDO 30 MAY.'02
 APVD M.SHINDO 30 MAY.'02
 PRODUCT SPEC
 製品規格 108-5810
 APPLICATION SPEC
 取付適用規格 114-5306

MATERIAL
 材料 SEE NOTE

FINISH
 仕上 SEE NOTE



TE Connectivity

TOLERANCES UNLESS OTHERWISE SPECIFIED:
 一般公差

0 PLC ± -
 1 PLC ± -
 2 PLC ± -
 3 PLC ± -
 4 PLC ± -
 ANGLES ± -

NAME
 名称 GRACE INERTIA CONNECTOR 3.5
 TAB CONTACT(L)

SIZE A4 CAGE CODE 00779 DRAWING NO 番号 1565080 RESTRICTED TO -

CUSTOMER DRAWING

SCALE 尺度 6:1

SHEET 1 OF 1

REV A1