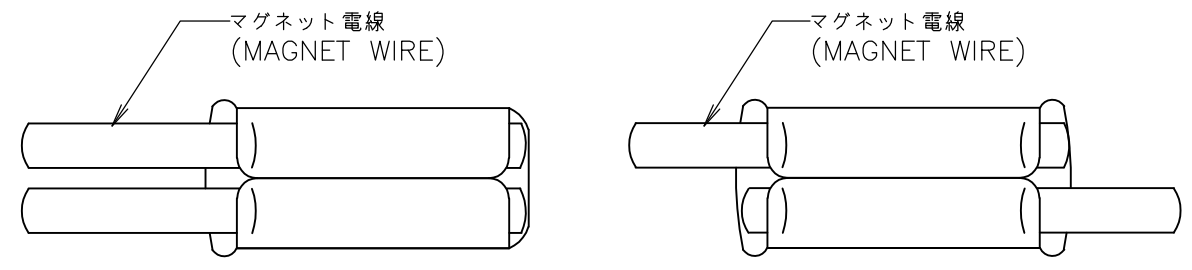


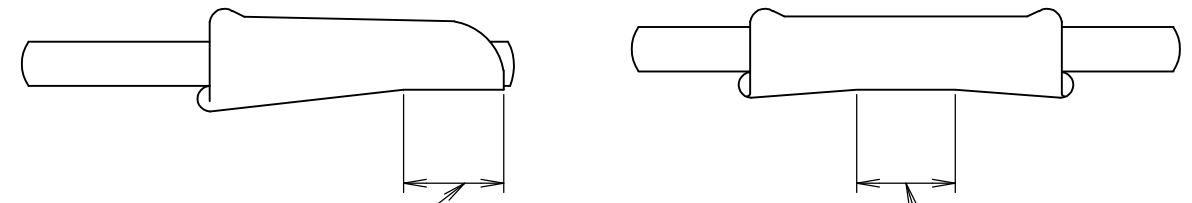
THIS DRAWING IS UNPUBLISHED. RELEASED FOR PUBLICATION  
 © COPYRIGHT BY TYCO ELECTRONICS CORPORATION. ALL INTERNATIONAL RIGHTS RESERVED.

LOC J	DIST /	REVISIONS 変更			DATE	DWN	APVD
P	LTR	DESCRIPTION	DATE	DWN	APVD		
	B	REDRAWN AND REVISED ECR-10-023816	26NOV2010	T.T	T.M		

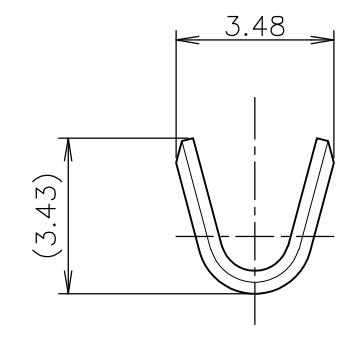
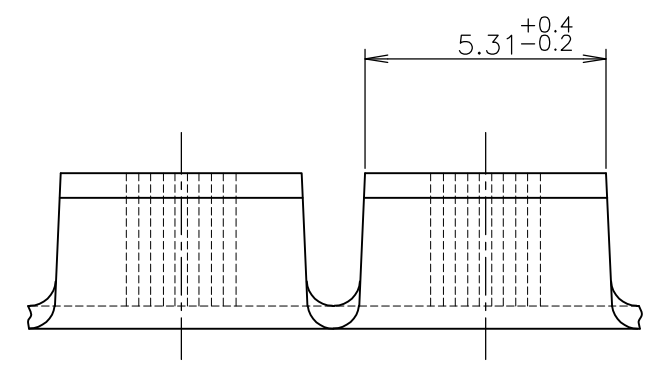
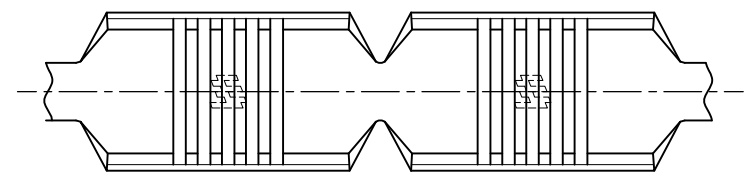


ピグテイル型  
(PIGTAILTYPE)

スルー型  
(THOUGH TYPE)



クリンプハイツは、この平面の部分で測定する  
 THE HEIGHT OF CRIMP IS MEASURED IN THIS PLANE PART.



170152-3, 170152-4のスパライスはAWG#26 (0.404mm)  
 あるいはそれ以下の電線サイズに適用されます。

AS FOR SPLICE OF 170152-3 AND 170152-4 AWG#26 (0.404MM)  
 OR IT IS APPLICABLE TO THE WIRE RANGE OF THAT AND UNDER.

圧着形状はピグテイル型、スルー型対応可能  
 但し、アプリケーションはそれぞれ専用のものを使用のこと

PRESSURE DUE AT THE FORM CAN COPE WITH PIGTAIL TYPE AND THOUGH TYPE.  
 BUT, APPLICATOR SHOULD USE AN EXCLUSIVE THING RESPECTIVELY.

APPL FEED アプリケーション・フィード 6.86mm	WIRE CRIMP 圧着巾 2.79mm	WIRE RANGE 適合電線断面積 0.30~1.52 mm <sup>2</sup>	INSULATION DIA 被覆外径 — mmφ
--------------------------------------	-----------------------------	--	---------------------------------

THIS DRAWING IS A CONTROLLED DOCUMENT.		DWN T.TSUZAKI 24NOV2010	Tyco Electronics Corporation Kawasaki, Japan	
DIMENSIONS: 単位: 概 mm		CHK T.MASUDA 26NOV2010	NAME 名称 AMPLIVAR SPLICE アンプリバー スパライス	
TOLERANCES UNLESS OTHERWISE SPECIFIED: 一般公差		APVD T.MASUDA 26NOV2010	SIZE A3	
0-PLC ± 1-PLC ± 2-PLC ± ±0.25 3-PLC ± 4-PLC ± ANGLES ±3°		PRODUCT SPEC 製品規格	CAGE CODE 00779	
MATERIAL 材料 表参照 SEE TABLE		APPLICATION SPEC 取付適用規格	DRAWING NO 番号 C-170152	
FINISH 仕上 表参照 SEE TABLE		WEIGHT	RESTRICTED TO —	
CUSTOMER DRAWING			SCALE 尺度 6:1	SHEET 1 OF 1
			REV B	