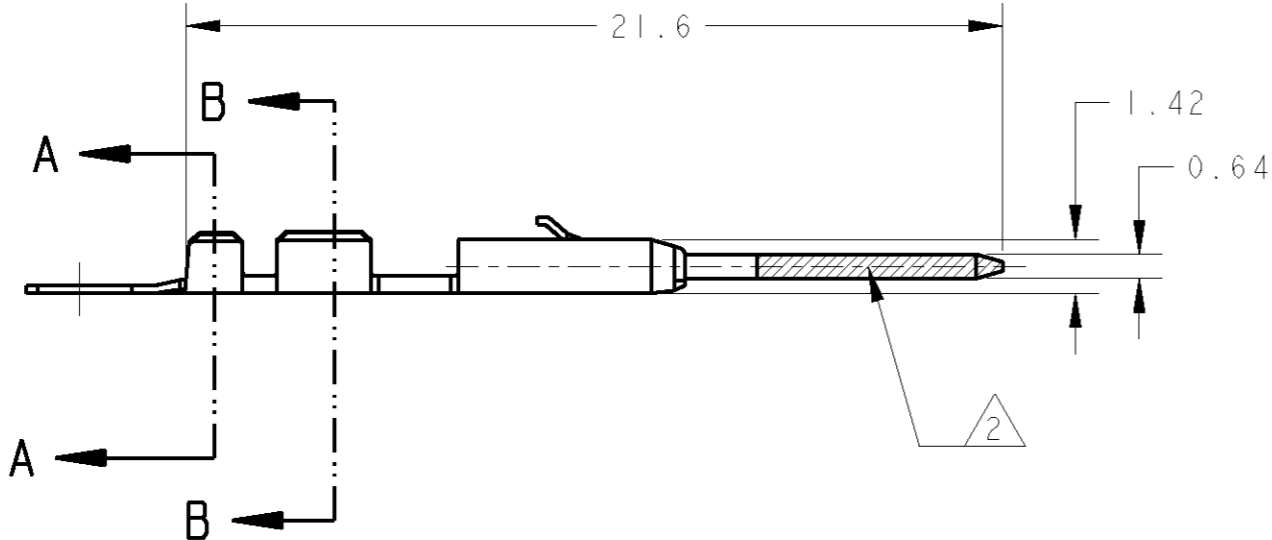
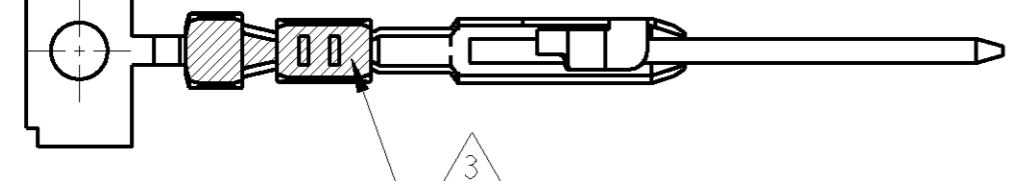
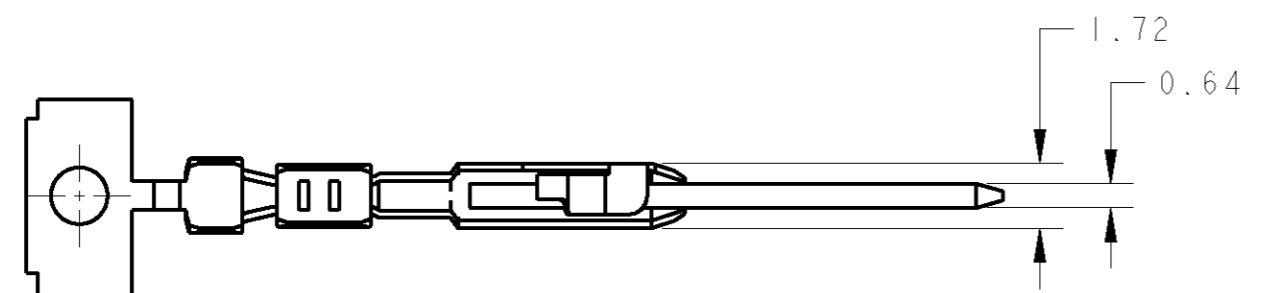
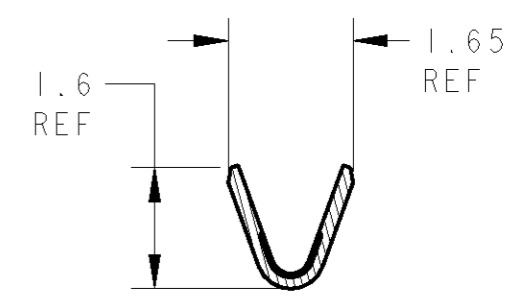
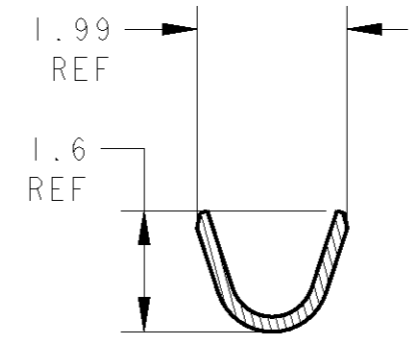
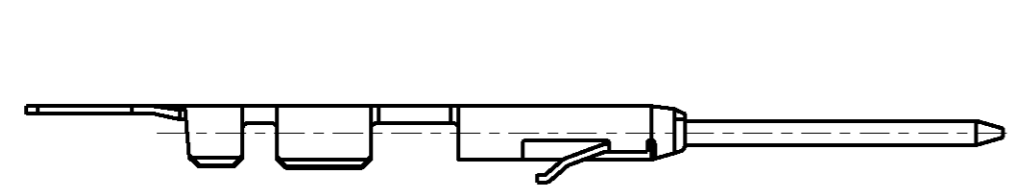


LOC	DIST	REVISIONS 変更			
P	LTR	DESCRIPTION	DATE	DWN	APVD
J	-	A	RELEASED	31AUG2009	Y.O T.K

- 1: 本図  
- 1: AS SHOEN



- ① 材料、仕上げ  
ポスト: 金メッキ済黄銅  
ポテター: 錫メッキ済リン青銅
  - ② 金メッキエリア
  - ③ 錫メッキエリア
  - ④ 適用ハウジング; 1376959-1
- 
- ① MATERIAL, FINISH  
POST: Brass, GOLD PLATING  
BODY: PBR, TIN PLATING
  - ② GOLD PLATING AREA
  - ③ TIN PLATING AREA
  - ④ APPLICABLE HOUSING: 1376959-1

THIS DRAWING IS A CONTROLLED DOCUMENT FOR TYCO ELECTRONICS CORPORATION. IT IS SUBJECT TO CHANGE AND THE CONTROLLING ENGINEERING ORGANIZATION SHOULD BE CONTACTED FOR THE LATEST REVISION.

DIMENSIONS: 単位: 概 mm	TOLERANCES UNLESS OTHERWISE SPECIFIED: 一般公差 ±0.3 ① PLC ± ② PLC ± ③ PLC ± ④ PLC ± ANGLES ±3°
MATERIAL 材料	FINISH 仕上

DWN Y. OKADA	31AUG2009
CHK N. YAMASAKI	31AUG2009
APVD T. KIMIURA	31AUG2009
PRODUCT SPEC 製品規格	108-5729-1
APPLICATION SPEC 取付適用規格	114-5464
WEIGHT	

WIRE RANGE 包合電線断面積	#22-#26	INSULATION DIA 被覆外径	0.91-1.37
Tyco Electronics Corporation Kawasaki, Japan		NAME 名称	
TAB CONTACT, FAN MOTOR CONN			
SIZE	CAGE CODE	DRAWING NO 番号	RESTRICTED TO
A3	00779	C=1717024	-
CUSTOMER DRAWING		SCALE 尺度	SHEET OF REV
		2.1	1 OF 1 A