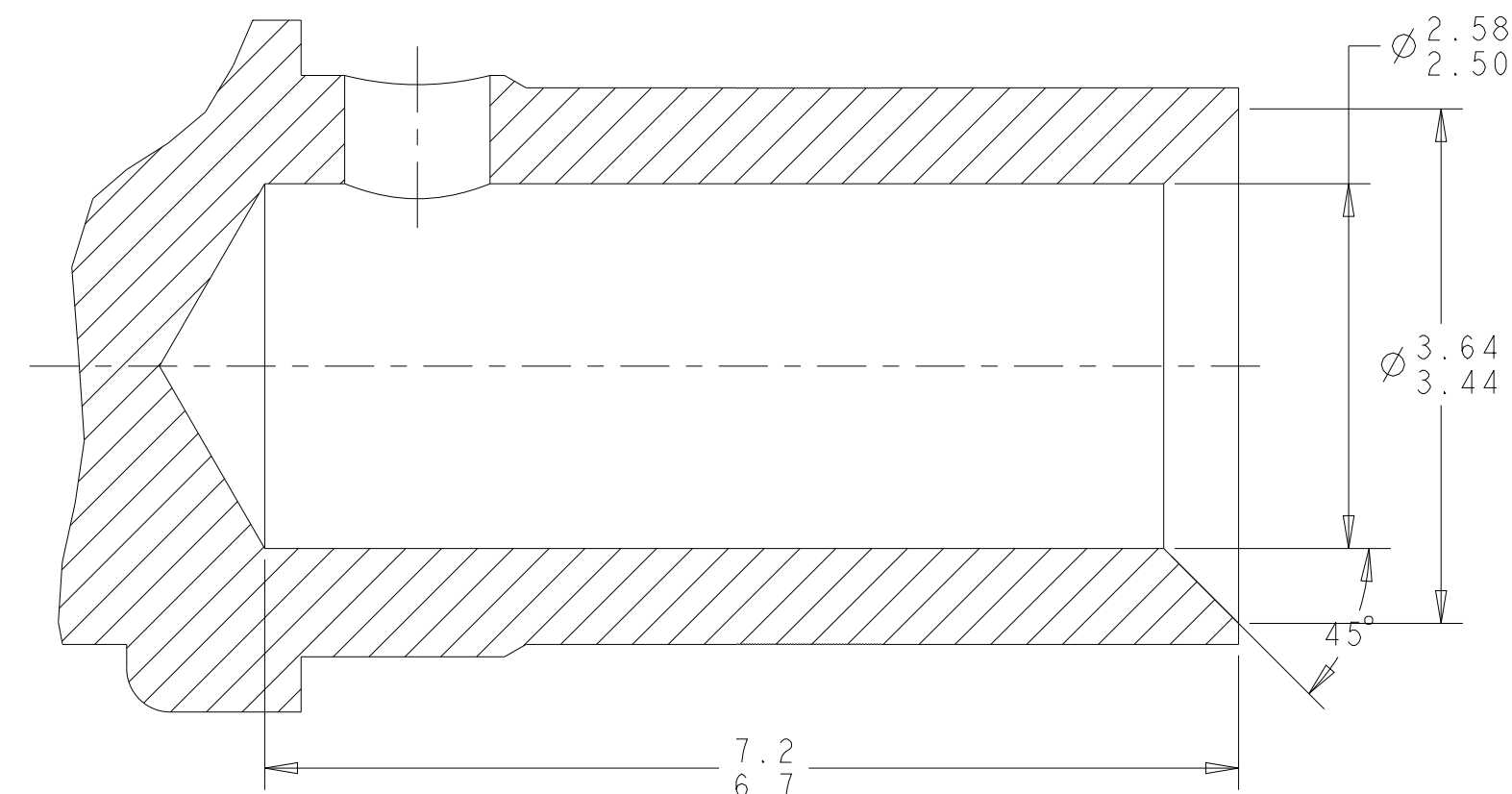
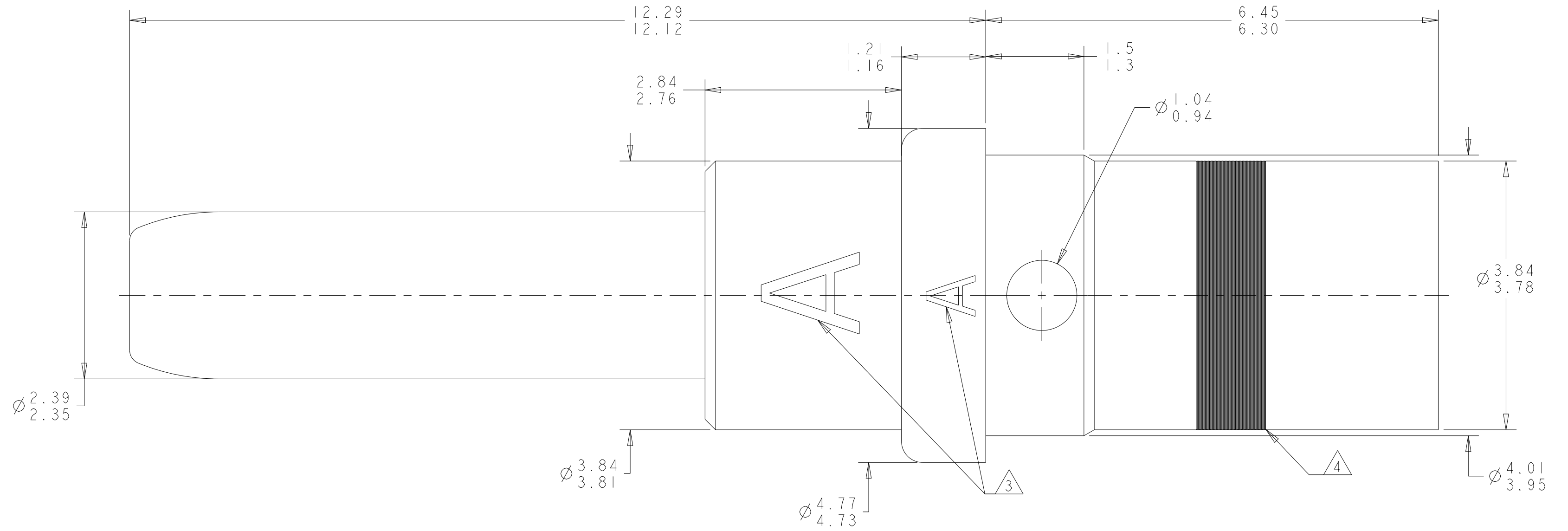


REVISIONS				
P	LTR	DESCRIPTION	DATE	APVD
A		RELEASED TO PRODUCTION	08DEC2021	LN RL



- 1 COPPER ALLOY C97.
- 2 1.27µm MIN GOLD PER ASTM B488 OVER 2.54µm MIN NICKEL PER QQ-N-290 ON ENTIRE STOCK.
- 3 TWO POSSIBLE LOCATIONS FOR THE LETTER "A" MARKING. OPTIONAL ALTERNATE MARKING: LETTER "S"
- 4 YELLOW COLOR BAND.
- 5. APPLICABLE WIRE SIZE: 12-16 AWG
WIRE INSULATION DIAMETER: 3.4mm MAX
INSULATION STRIP LENGTH: 5.75mm-6.25mm
- 6. APPLICATION TOOLING:
CRIMPING TOOL: TYCO PART NUMBER 601967-1 (M22520/1-01)
POSITIONER: TYCO PART NUMBER 601967-2 (M22520/1-02)
SELECTOR POSITION: AWG 12 : 8
 AWG 14 : 7
 AWG 16 : 6
CONTACT INSERTION/EXTRACTION TOOL: 1738327-1 (M81969/28-02) OR 1-1192028-1 (M81969/14-04)
- 7. THIS PRODUCT IS SOLD BY TYCO ELECTRONICS UNDER A LICENSE FROM RADIALL SA.

1738017-1
PART NUMBER

THIS DRAWING IS A CONTROLLED DOCUMENT.		DWN BW	28FEB2005	STE TE Connectivity	
DIMENSIONS: mm		CHK JPM	28FEB2005		
TOLERANCES UNLESS OTHERWISE SPECIFIED:		APVD JPM	28FEB2005	NAME PIN CONTACT, SIZE 12, GPR	
0 PLC ± 1 PLC ± 2 PLC ±0.05 3 PLC ± 4 PLC ±		PRODUCT SPEC -		SIZE CAGE CODE DRAWING NO A200779 C-1738017	
MATERIAL 1		FINISH 2		RESTRICTED TO -	
		WEIGHT -		SCALE 20:1 SHEET 1 OF 1 REV A	
		CUSTOMER DRAWING			