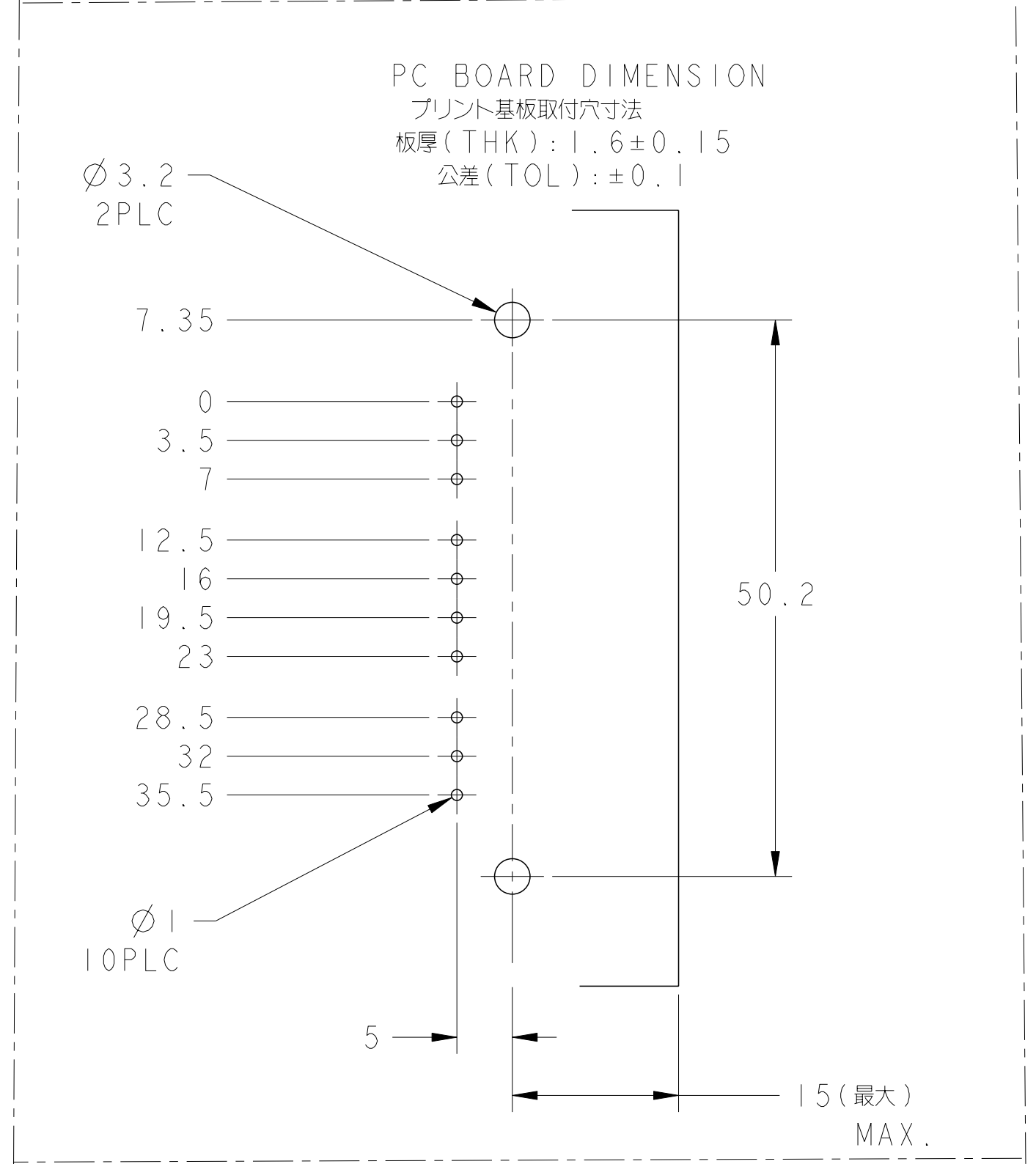
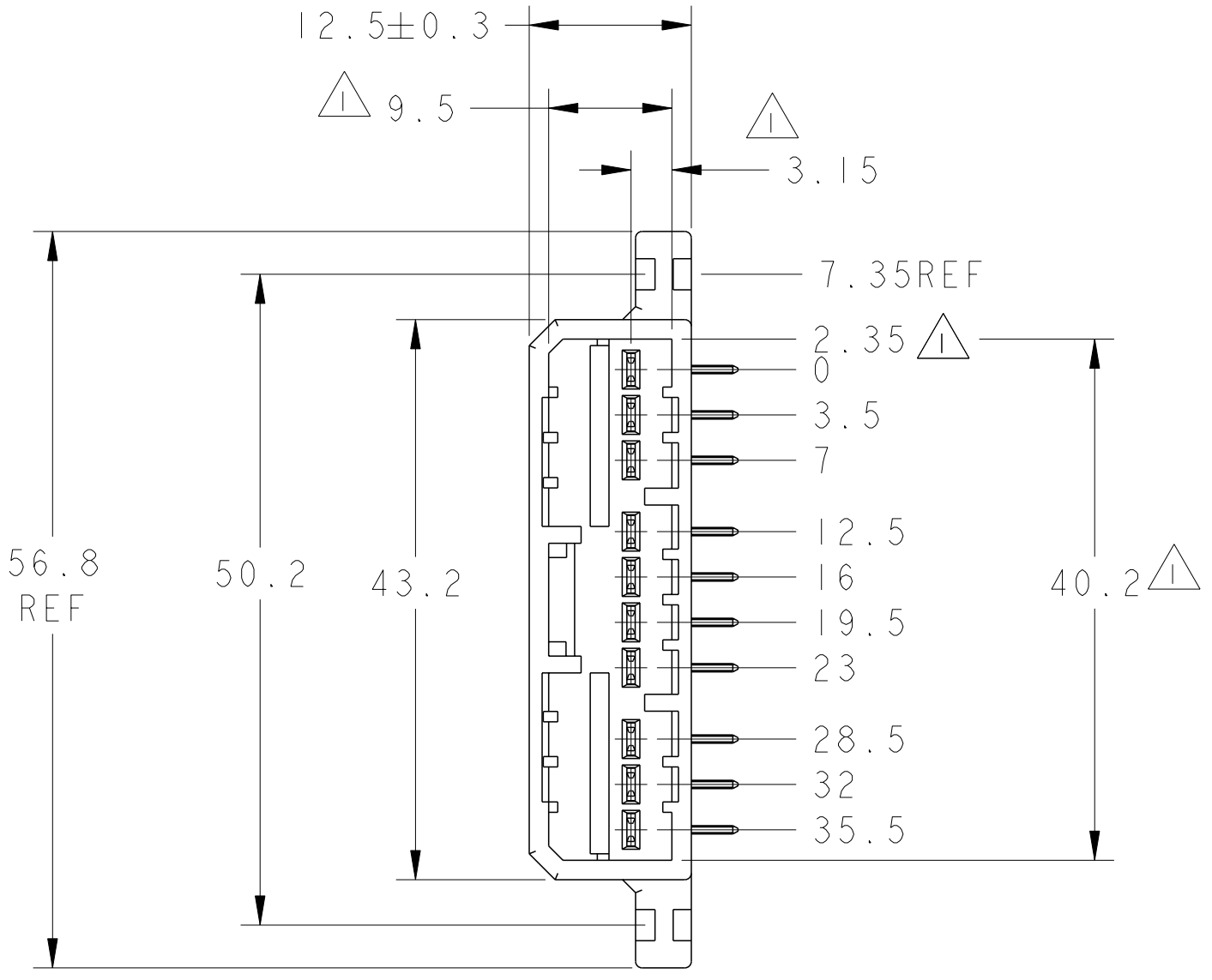
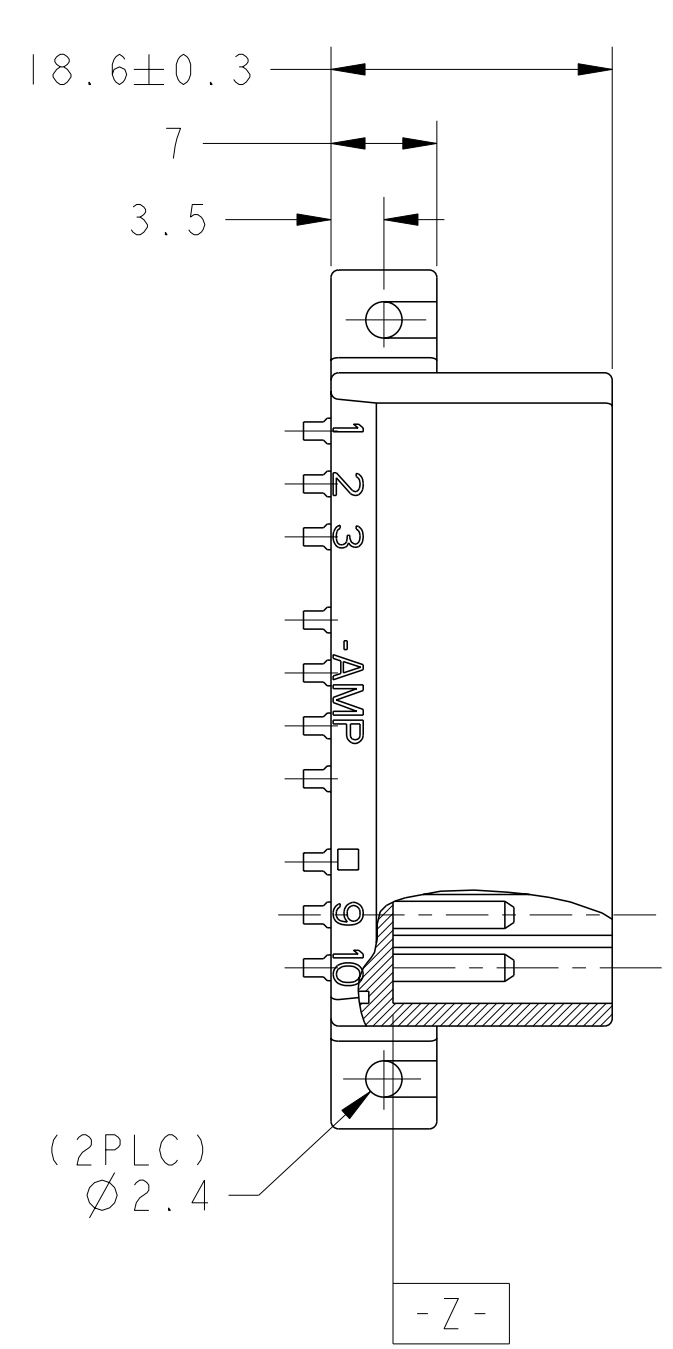


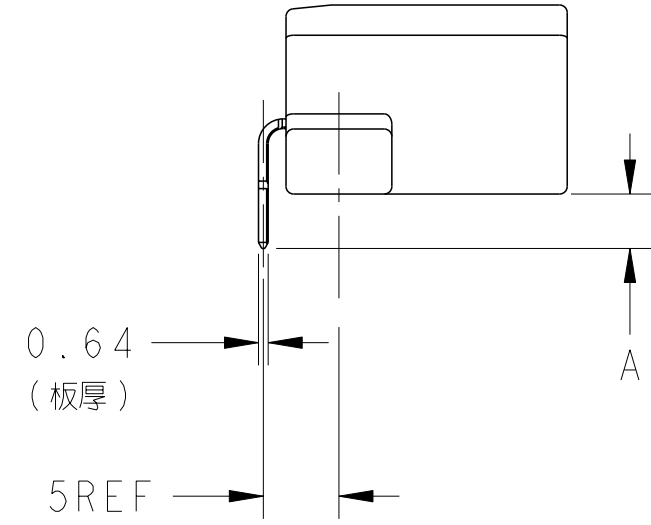
THIS DRAWING IS UNPUBLISHED. RELEASED FOR PUBLICATION 20
© COPYRIGHT 20 BY TYCO ELECTRONICS CORPORATION. ALL RIGHTS RESERVED.

LOC		DIST		REVISIONS				
P	LTR	DESCRIPTION	ECN	DATE	DWN	APVD		
	C	REVISE	FJA0-0784-04	03DEC2004	S.S	Y.F		
	C1	NEW PARTS ADD	ECR-05-000740	18MAR2005	S.Y	Y.F		
	C2	REVISED	ECR-23-188923	12SEP2023	AP	RK		



- △ MUST BE KEEP BETWEEN -Z- AND 2mm
- 2. THE MATING PLUG HSG PART NUMBER 174464
- 3. RECOMMENDED MOUNTING SCREW; 3mm DIA, 6mm LENGTH(MAX) PAN HED, CLAAS 2 TAPPING SCREW SPECIFIED IN JIS B1115, B1122

- △ -Z- 面より2mmの範囲で測定
- 2. 嵌合相手ハウジング型番: 174464
- 3. 奨励取付ねじ: JIS B1115, B1122 タッピングねじ, なべ2種 呼び径3, 長さ6mm以下(締付トルク: 0.392N・m以下)



OBSOLETE		緑色 (GREEN)	錫めっき済み (PRE-TINNED)	174467-7
OBSOLETE		黒色 (BLACK)	錫めっき済み (PRE-TINNED)	174467-5
OBSOLETE	3.5±0.3	灰色 (GRAY)	錫めっき済み (PRE-TINNED)	174467-3
OBSOLETE		白色 (WHITE)	錫めっき済み (PRE-TINNED)	174467-2
OBSOLETE		白色 (WHITE)	金のつき (SELECTIVE GOLD)	174467-1
OBSOLETE	4±0.5	灰色 (GRAY)	錫めっき済み (PRE-TINNED)	174467-6
OBSOLETE		白色 (WHITE)	錫めっき済み (PRE-TINNED)	174467-1
	A	色 (COLOR)	コンタクト仕上げ (FINISH OF CONTACT)	型番 (P/N)

一般公差
GENERAL TOLERANCE
0<W<10: ±0.2
10<W<30: ±0.25
30<W<100: ±0.3
ANGLES: 3°

THIS DRAWING IS A CONTROLLED DOCUMENT FOR TYCO ELECTRONICS CORPORATION IT IS SUBJECT TO CHANGE AND THE CONTROLLING ENGINEERING ORGANIZATION SHOULD BE CONTACTED FOR THE LATEST REVISION.		DWN S. SAKAGUCHI 28 JUL 2004	Tyco Electronics AMP K.K. Kawasaki, Japan	
DIMENSIONS: 単位: ㎜	TOLERANCES UNLESS OTHERWISE SPECIFIED: 一般公差	CHK Y. FUJIWARA 28 JUL 2004	NAME 10 Pos. CAP HOUSING ASS'Y 070 SERIES MULTILOCK I/O CONN	
	0 PLC ± 1 PLC ± 2 PLC ± 3 PLC ± 4 PLC ± ANGLES ±	APVD Y. FUJIWARA 28 JUL 2004	PRODUCT SPEC 108-5312	RESTRICTED TO
MATERIAL HSG, PBT CONT, BRASS	FINISH 仕上	APPLICATION SPEC 取付適用規格 114-5091, 5092	WEIGHT 7.4g	SIZE A2
SEE TABLE		CUSTOMER DRAWING	CAGE CODE 00779	DRAWING NO 174467
		SCALE 2:1	SHEET 1	REV C2

Printed on 15 Feb 2024 14:55 (India Standard Time) from IE509768