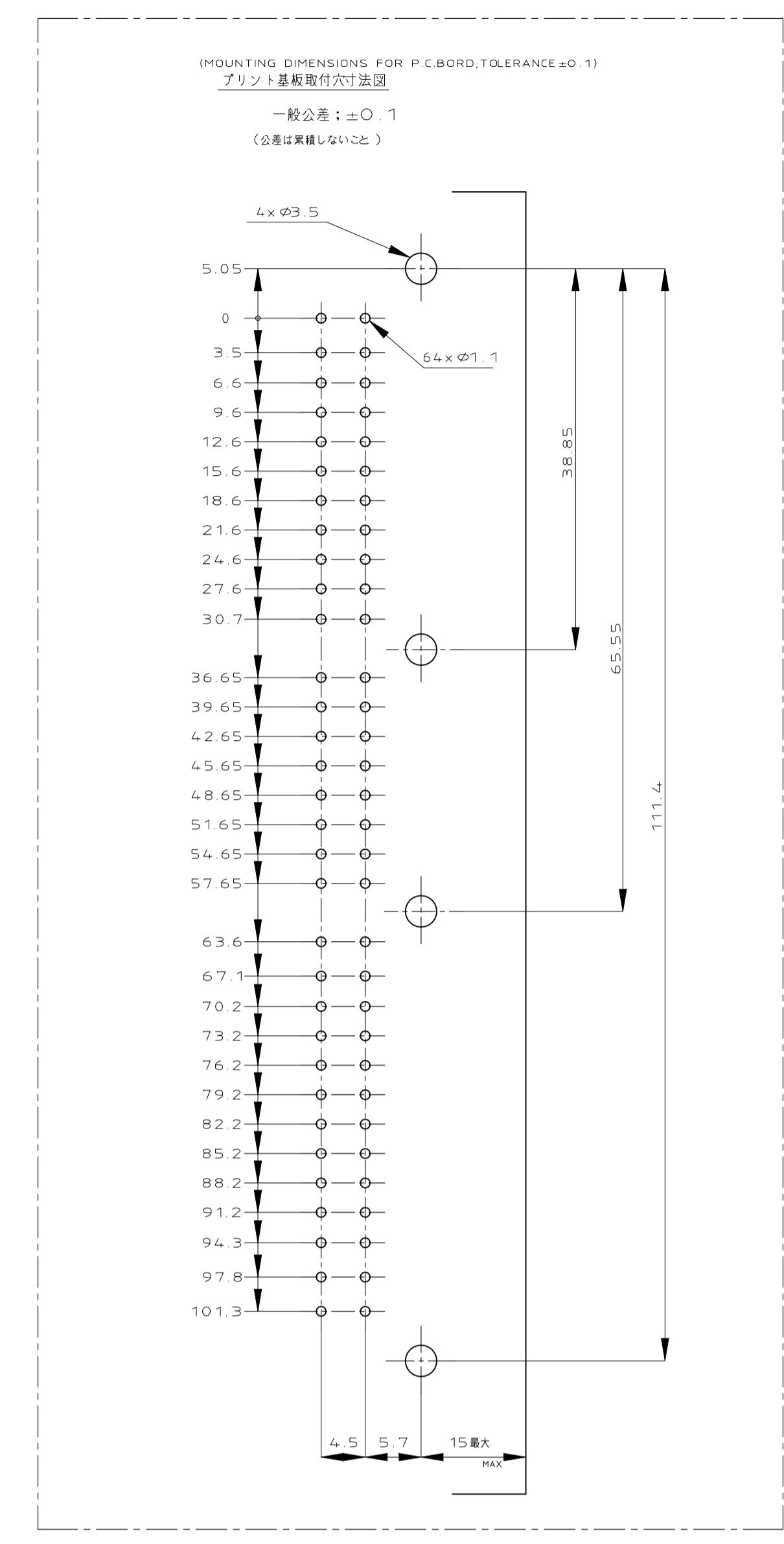
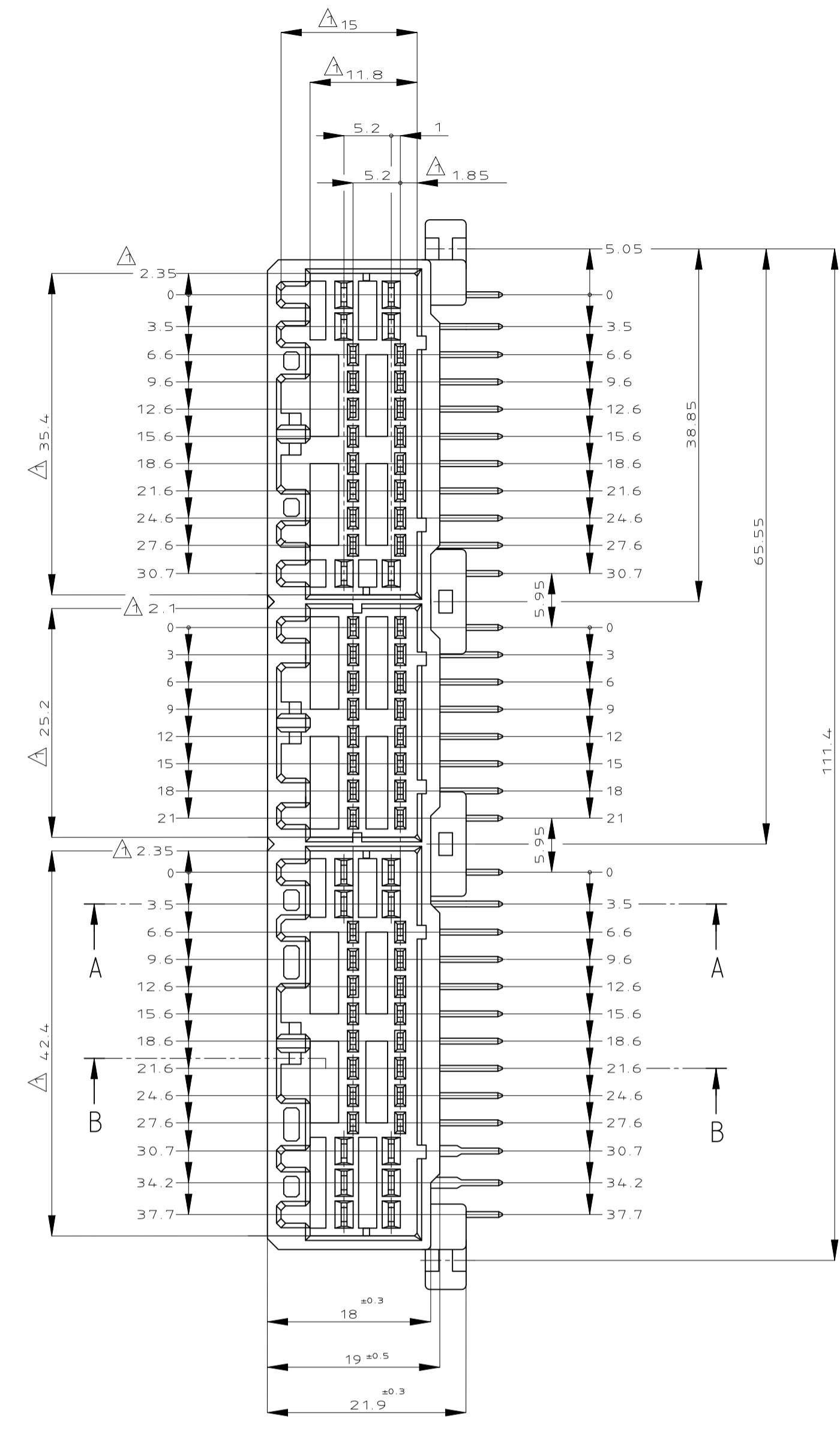
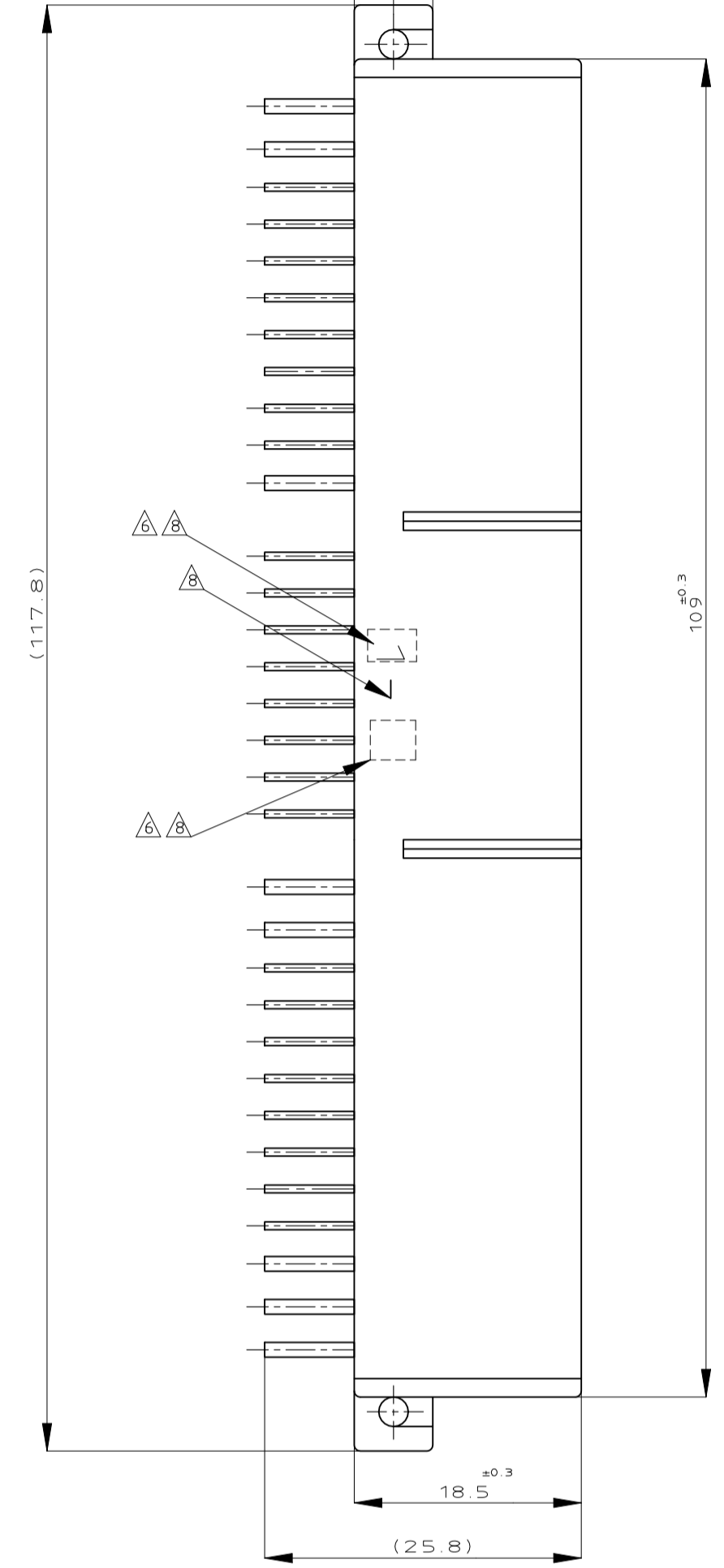
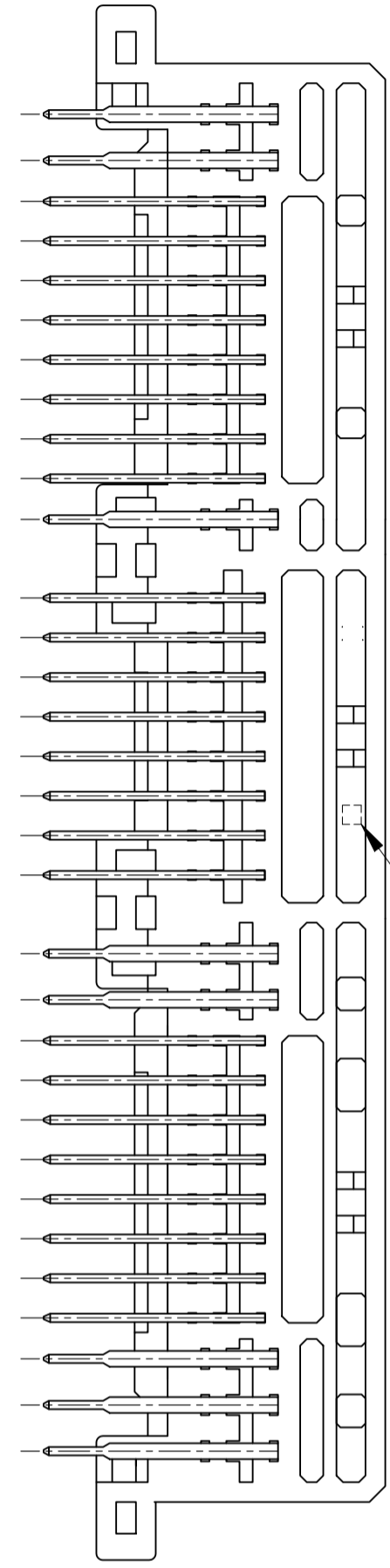
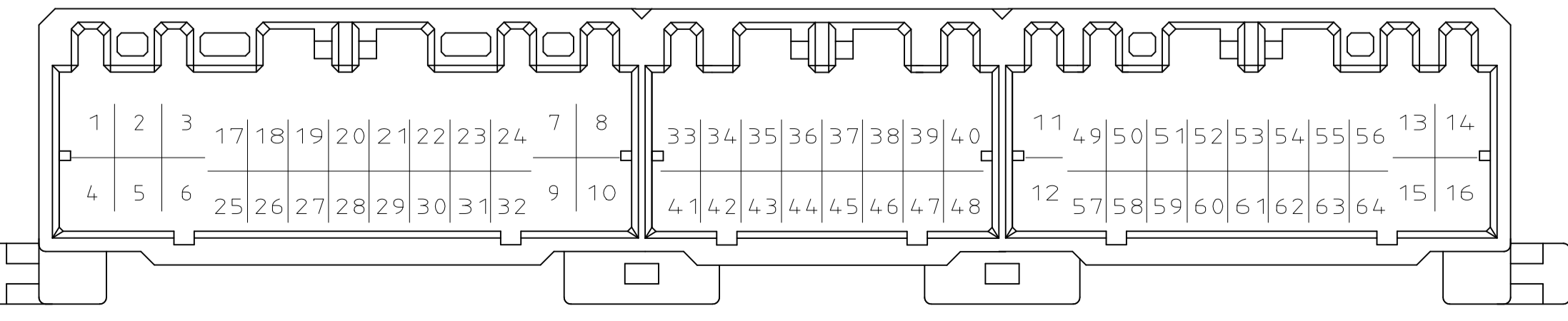
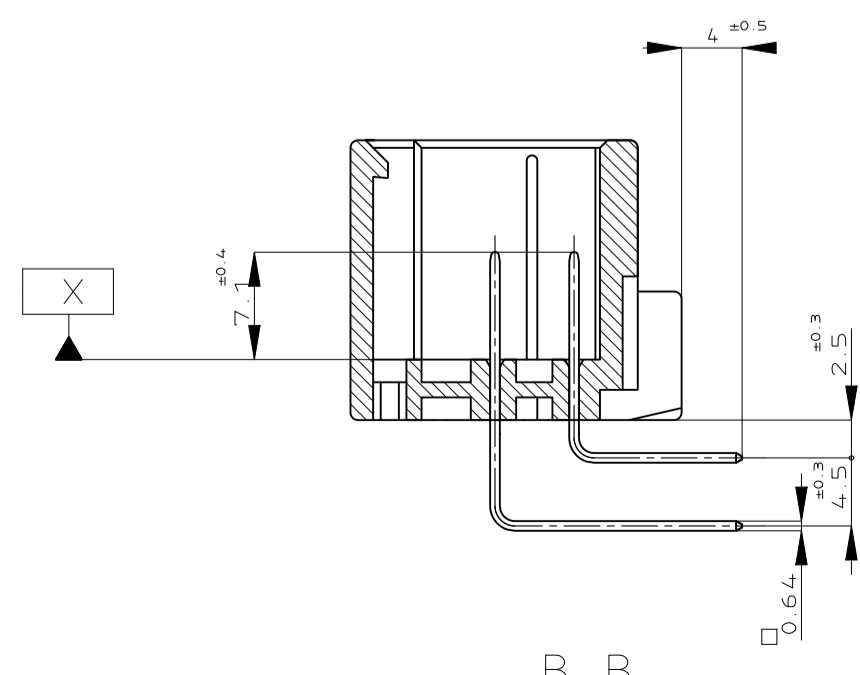
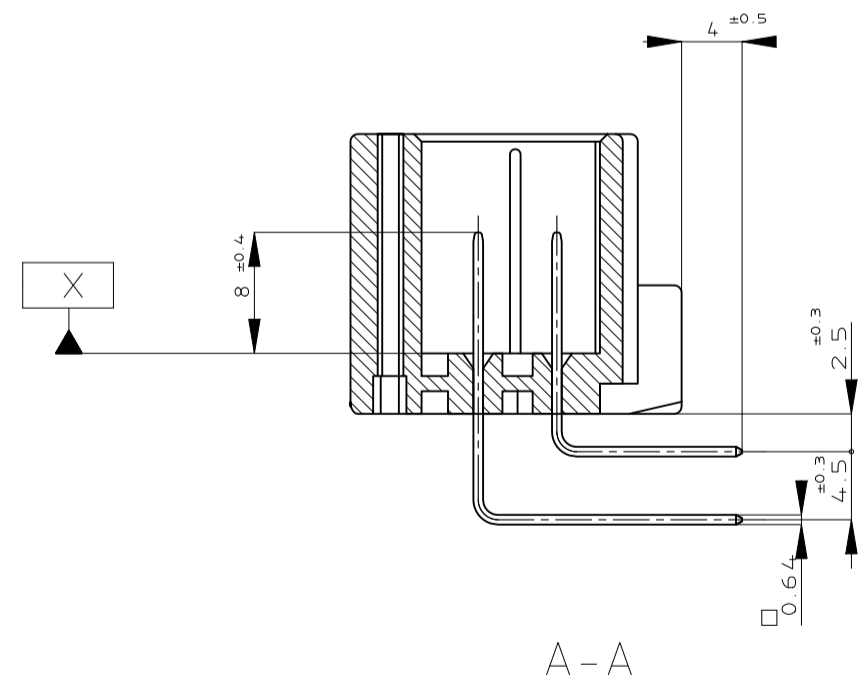


REVISIONS					
REV	DATE	DESCRIPTION	BY	CHK	APPV
H6	15SEP2023	REVISD ECR-23-185274	AG	RK	



- 1 MUST BE KEPT BETWEEN [X] AND 2
- △ THE MATING PLUG HSG. PART NUMBER : 174516, 174515, 174514, 917992, 917989, 917981
- 3 RECOMMENDED MOUNTING SCREW, 3mm DIA, 6mm LENGTH (MAX.) PAN HEAD, CLASS 2 TAPPING SCREW SPECIFIED IN JIS B1115, B1122 (TIGHTENING TORQUE, 0.4N·m MAX.)
- 4 APPLICABLE PRODUCT SPEC NO. 108-5280, 108-5342
- △ CIRCUIT NUMBER
POWER CIRCUIT NO. ① ~ ⑩
SIGNAL CIRCUIT NO. ⑪ ~ ⑳
- △ INDICATED PREFIX AND ID MARK OF PRODUCT P/N BY COLOR HOT MARK
- △ PCB SIDE OF GOLD PLATING TAB IS TIN PLATE
- △ USING "X" REPLACE "-" (P/N MARK)
EXAMPLE "1XD"

- △ [X] 面から 2mm の範囲で測定
- 2 嵌合相手ハジダグ型 174516, 174515, 174514, 917992, 917989, 917981
- 3 推奨取付ねじ: JIS B1115, B1122 ナットねじ, なべ2種
呼び径 3, 長さ 6mm 以下 (締付けトルク: 0.4N·m 以下)
- 4 適用製品規格番号: 108-5280, 108-5342
- △ 回路番号: 下図参照のこと
パワー回路 ① ~ ⑩
シグナル回路 ⑪ ~ ⑳
- △ 適用製品型番のプリフィックス及び ID マークをカラーホットマークにて表示
- △ 全メッキタブは、基板側に鉛メッキを行う
- △ P/N 177609-2 に限り、ホットマークに "-" (P/N MARK) ではなく "X" を使用する
例 1XD



REV	DESCRIPTION	DATE	BY	CHK	APPV	MARKING COLOR	CONTACT FINISH	CONTACT SIDE	POWER CIRCUIT NO.	SIGNAL CIRCUIT NO.	HOUSING COLOR	PART NUMBER
OBSOLETE	59 BLACK SELECTIVE-TIN (MATTE) SELECTIVE GOLD x 5 PRE-TIN x 59					38,40,50,54,56					NATURAL 自然色	9-5177609-1
OBSOLETE	57 BLACK SELECTIVE-TIN (MATTE) SELECTIVE GOLD x 8 PRE-TIN x 56					24,37,39,40,43~45,47					NATURAL 自然色	7-5177609-1
OBSOLETE	44 WHITE SELECTIVE-TIN (MATTE) SELECTIVE GOLD x 25 PRE-TIN x 39					21~32,34~40,43~48					BLACK 黒色	4-5177609-2
OBSOLETE	58 BLACK SELECTIVE-TIN (MATTE) SELECTIVE GOLD x 8 PRE-TIN x 56					22,23,29~31,34,39,44~47					NATURAL 自然色	8-5177609-1
OBSOLETE	55 WHITE SELECTIVE-TIN (MATTE) SELECTIVE GOLD x 11 PRE-TIN x 53					24,31,32,34,39,42,44,46~48,57					GRAY 灰色	5-5177609-6
OBSOLETE	54 WHITE SELECTIVE-TIN (MATTE) SELECTIVE GOLD x 25 PRE-TIN x 39					21~32,34~40,43~48					GRAY 灰色	4-5177609-6
OBSOLETE	54 BLACK SELECTIVE-TIN (MATTE) SELECTIVE GOLD x 25 PRE-TIN x 39					21~32,34~40,43~48					NATURAL 自然色	4-5177609-1
OBSOLETE	53 BLACK SELECTIVE-TIN (MATTE) SELECTIVE GOLD x 10 PRE-TIN x 54					33~40,49,50					GRAY 灰色	3-5177609-7
OBSOLETE	52 WHITE SELECTIVE-TIN (MATTE) SELECTIVE GOLD x 18 PRE-TIN x 46					20,24,28~30,35,37~40,41,43,45~48					GRAY 灰色	2-5177609-6
OBSOLETE	50 WHITE SELECTIVE-TIN (MATTE) SELECTIVE GOLD x 11 PRE-TIN x 53					24,26,27,31,37~40					LIGHT GRAY 淡灰色	5177609-1
OBSOLETE	9 BLACK TIN-LEAD SELECTIVE GOLD x 5 PRE-TIN x 59					38,40,50,54,56					NATURAL 自然色	9-177609-1
OBSOLETE	8 BLACK TIN-LEAD SELECTIVE GOLD x 8 PRE-TIN x 56					22,23,29~31,34,39,44~47					NATURAL 自然色	8-177609-1
OBSOLETE	7 BLACK TIN-LEAD SELECTIVE GOLD x 8 PRE-TIN x 56					24,37,39,40,43~45,47					NATURAL 自然色	7-177609-1
OBSOLETE	6 WHITE TIN-LEAD SELECTIVE GOLD x 9 PRE-TIN x 55					24,31,32,34,39,42,44,46~48,57					GRAY 灰色	6-177609-6
OBSOLETE	5 WHITE TIN-LEAD SELECTIVE GOLD x 11 PRE-TIN x 53					24,31,32,34,39,42,44,46~48,57					GRAY 灰色	5-177609-6
OBSOLETE	4 WHITE TIN-LEAD SELECTIVE GOLD x 25 PRE-TIN x 39					21~32,34~40,43~48					GRAY 灰色	4-177609-6
OBSOLETE	4 WHITE TIN-LEAD SELECTIVE GOLD x 25 PRE-TIN x 39					21~32,34~40,43~48					BLACK 黒色	4-177609-2
OBSOLETE	4 BLACK TIN-LEAD SELECTIVE GOLD x 25 PRE-TIN x 39					21~32,34~40,43~48					NATURAL 自然色	4-177609-1
OBSOLETE	3 BLACK TIN-LEAD SELECTIVE GOLD x 10 PRE-TIN x 54					33~40,49,50					YELLOW 黄色	3-177609-7
OBSOLETE	2 WHITE TIN-LEAD SELECTIVE GOLD x 18 PRE-TIN x 46					20,24,28~30,35,37~40,41,43,45~48					GRAY 灰色	2-177609-6
OBSOLETE	1X BLACK TIN-LEAD SELECTIVE GOLD x 11 PRE-TIN x 53					24,26,27,31,37~40					LIGHT GRAY 淡灰色	177609-2
OBSOLETE	0 WHITE TIN-LEAD SELECTIVE GOLD x 11 PRE-TIN x 53					24,26,27,31,37~40					LIGHT GRAY 淡灰色	177609-1

TOLERANCES UNLESS OTHERWISE SPECIFIED
0.25
0.50
1.00
1.50
2.00
3.00
4.00
5.00
6.00
8.00
10.00
15.00
20.00
30.00
40.00
50.00
60.00
80.00
100.00
ANGLES

THIS DRAWING IS A CONTROLLED DOCUMENT.

DIN K. EURUYAMA 30JAN02
CHK H. YAMAGAMI 31JAN02
APPV N. SAI 31JAN02

TE Connectivity

0.40/0.70 SERIES HYBRID I/O CONN.
64 POSITION CAP HOUSING ASSY

WEIGHT 0.000000

SIZE A1

CAGE CODE 00779

DRAWING NO. 177609

CUSTOMER DRAWING

SCALE FREE

SHEET 1 of 1

REV H6