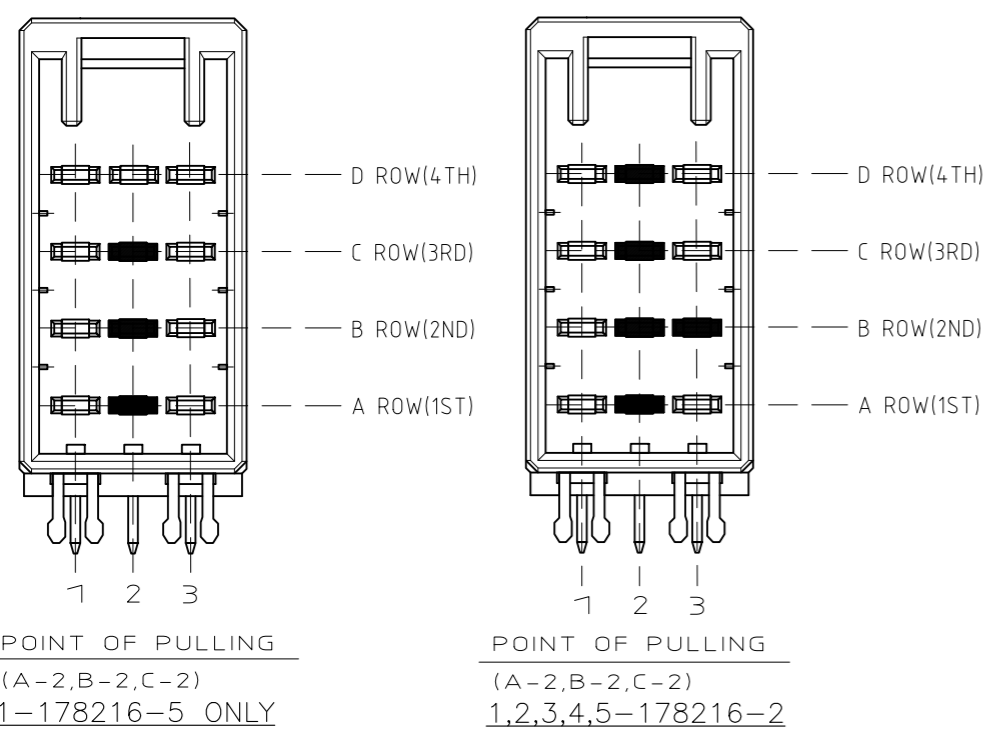
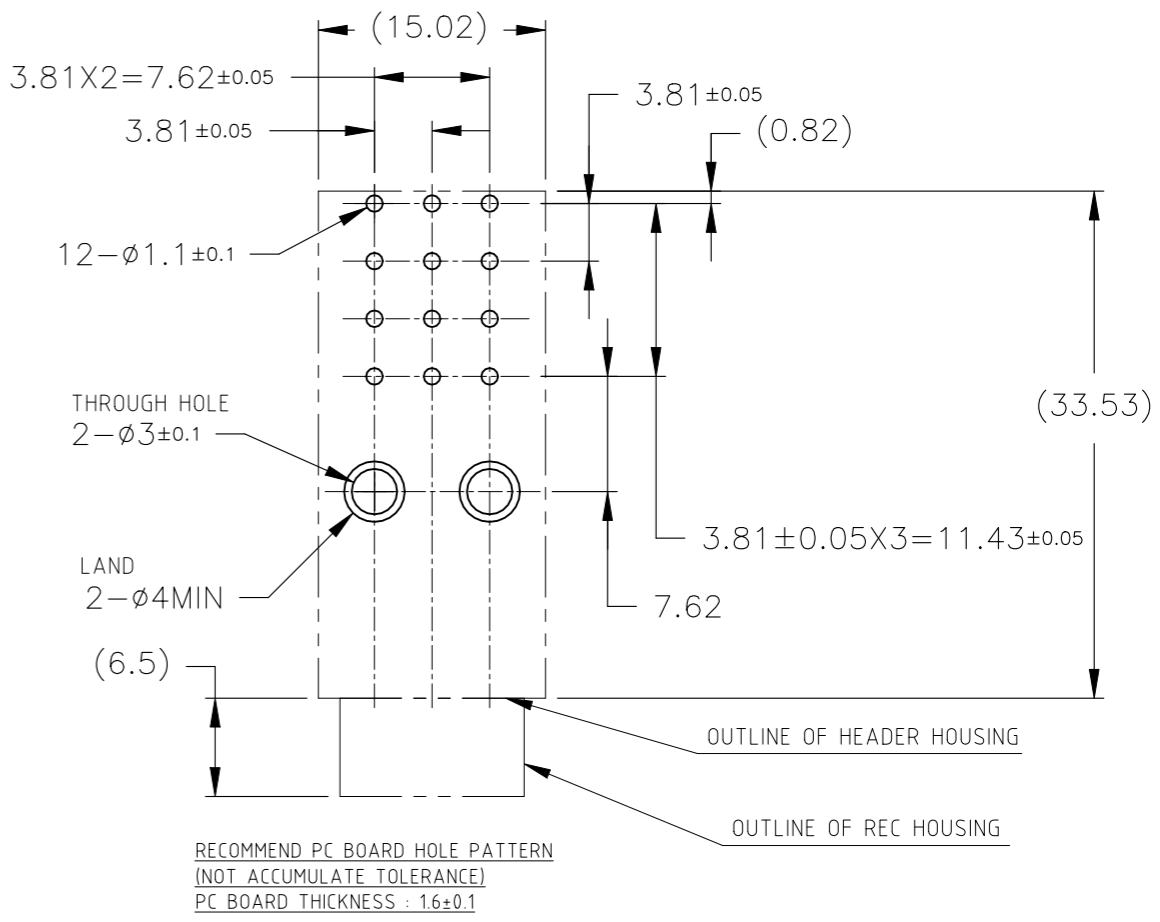
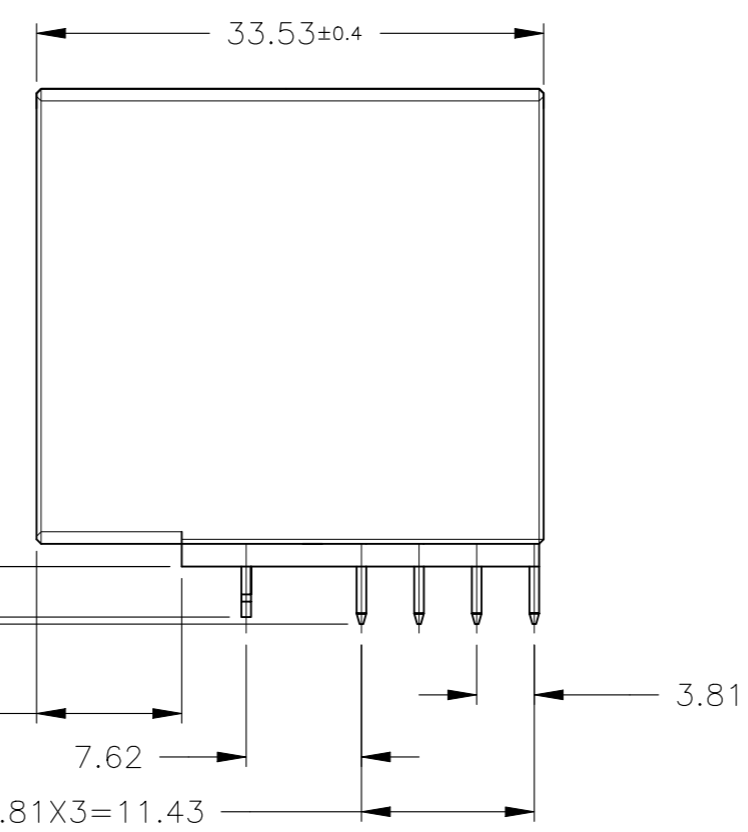
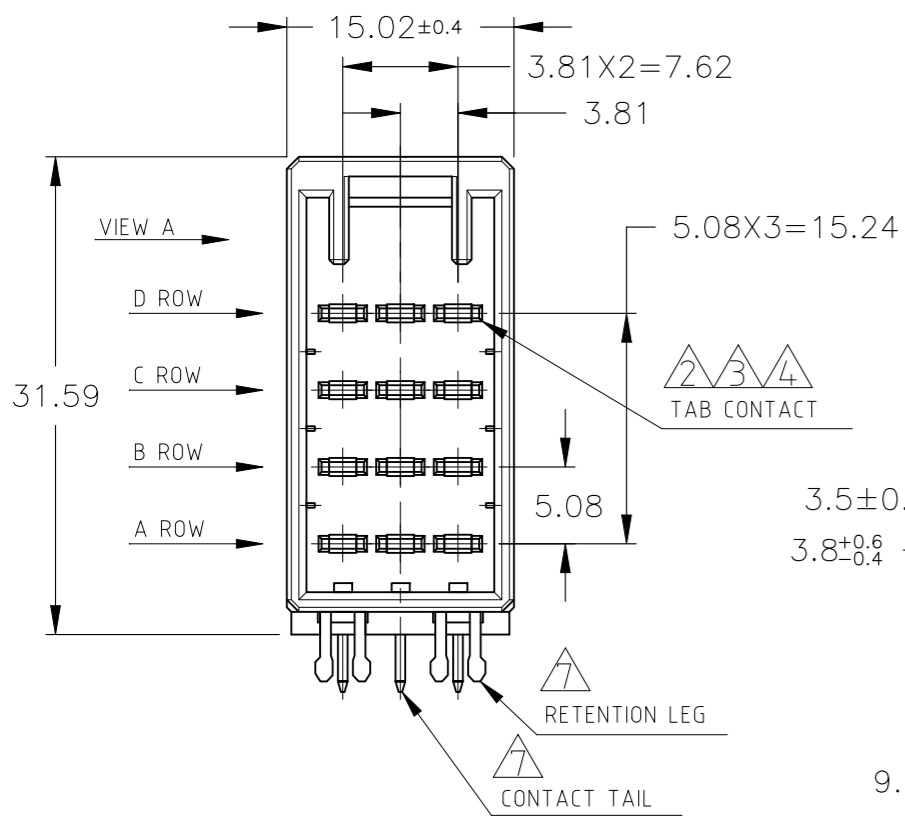
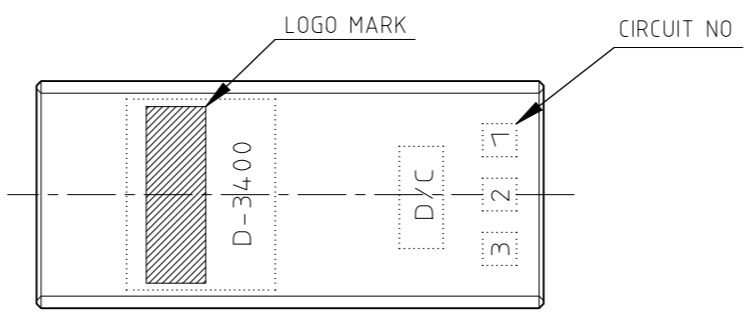
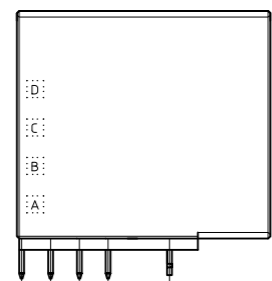


REVISIONS				
P	LTR	DESCRIPTION	DATE	DWN APVD
	F	REVISED	02JUN2022	H.O T.S



NOTES:
 ▲ MATERIAL
 HOUSING: GLASS FIELD POLYESTER
 CONTACT: COPPER ALLOY
 RETENTION LEG: COPPER ARROY
 ▲ FINISH(CONTACT AREA): 0.38µMIN GOLD PLATING OVER NICKEL
 ▲ FINISH(CONTACT AREA): 0.76µMIN GOLD PLATING OVER NICKEL
 ▲ FINISH(CONTACT ALL AREA): 2.0µMIN TIN PLATING OVER NICKEL
 ▲ FINISH(RETENTION LEG AND CONTACT TAIL): TIN-LEAD PLATING-6 PRODUCT SPEC.108-5349
 ▲ FINISH(RETENTION LEG AND CONTACT TAIL): TIN PLATING OVER NICKEL

▲ ▲	-	9-178216-2	TRAY
▲ ▲	-	178216-5	TUBE
▲ ▲	-	178216-3	TUBE
▲ ▲	-	178216-2	TUBE
▲ ▲	A-2,B-2,C-2	1-178216-5	TUBE
▲ ▲	A-2	1-178216-2	TUBE
▲ ▲	B-2	2-178216-2	TUBE
▲ ▲	C-2	3-178216-2	TUBE
▲ ▲	D-2	4-178216-2	TUBE
▲ ▲	B-3	5-178216-2	TUBE
FINISH	POINT OF PULLING	PART NO	PACKING TYPE

THIS DRAWING IS A CONTROLLED DOCUMENT.

DIMENSIONS: mm	TOLERANCES UNLESS OTHERWISE SPECIFIED:	DWN H.OSABE 02JUN2022	
	Ø PLC ± -	CHK T.SHIMOYASU 02JUN2022	
	1 PLC ± LESS 10 ; ±0.3	APVD T.SHIMOYASU 02JUN2022	
MATERIAL SEE NOTE	FINISH SEE NOTE	NAME T.SHIMOYASU	
		PRODUCT SPEC SEE NOTE	DYNAMIC D-3400 12P(H) HDR ASSY
		APPLICATION SPEC -	RESTRICTED TO -
		WEIGHT 13.42g	SIZE A3 CAGE CODE 00779 DRAWING NO C-178216
		CUSTOMER DRAWING	SCALE 2:1 SHEET 1 OF 1 REV F