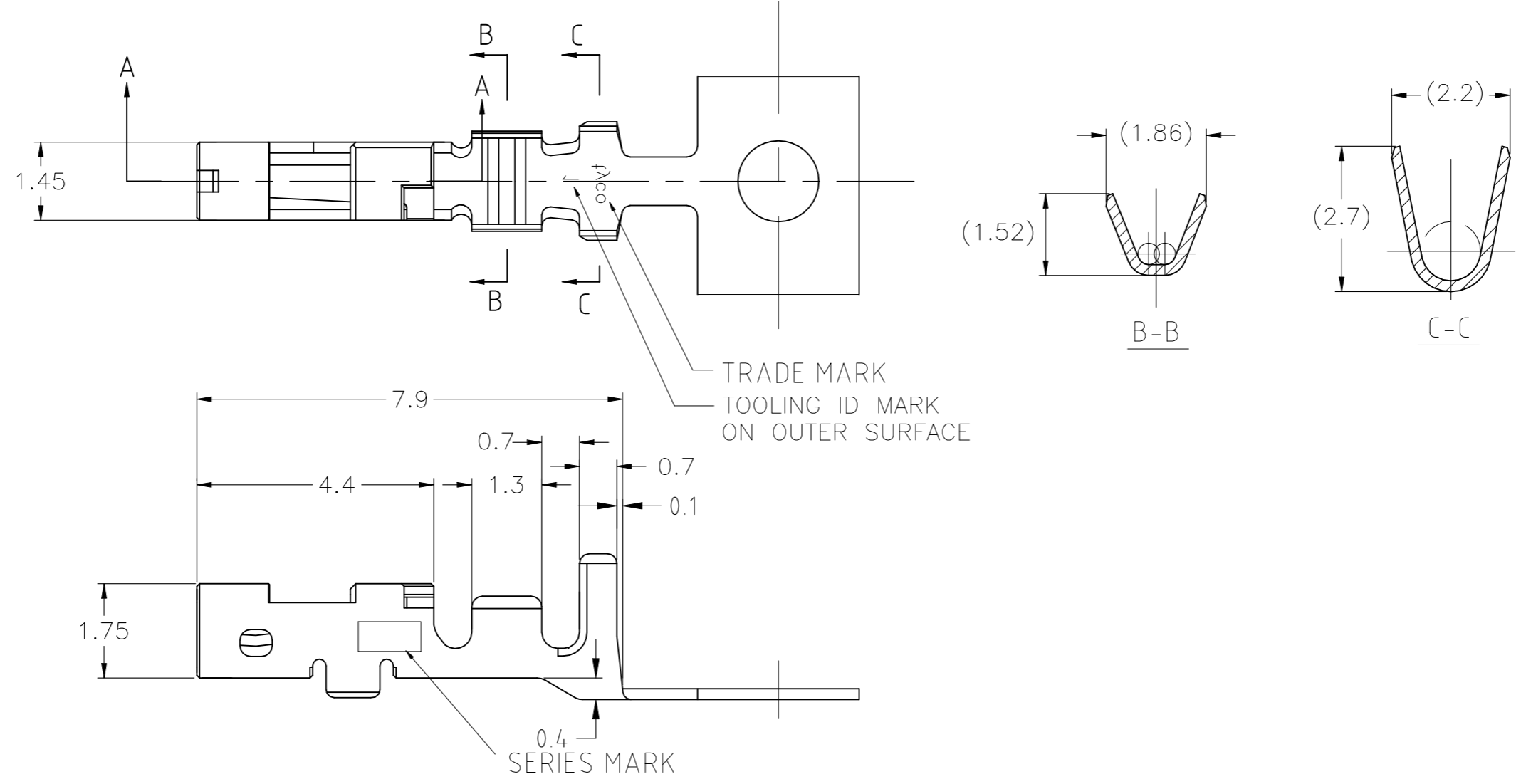



THIS DRAWING IS UNPUBLISHED. RELEASED FOR PUBLICATION
 © COPYRIGHT - By - ALL RIGHTS RESERVED.

REVISIONS 変更					
P	LTR	DESCRIPTION	DATE	DWN	APVD
	G	REVISED PER ECR-22-142637	16JUN2022	RI	TS



DM 4	AWG#28~ #22 0.08~0.38mm ²	φ1.08~φ1.6	COPPER ALLOY,FINISH:CONTACT AREA Au 0.2μm MIN,OVER Ni 1.27μm MIN	1827570-4
DM	AWG#28~ #22 0.08~0.38mm ²	φ1.08~φ1.6	COPPER ALLOY,FINISH:CONTACT AREA Au 0.38μm MIN,OVER Ni 1.27μm MIN	1827570-2
SERIES MARK	WIRE RANGE	INSULATION DIA	MATERIAL	PART No.

THIS DRAWING IS A CONTROLLED DOCUMENT.

DWN T.KUDO	04MAR2005	 TE Connectivity	NAME DYNAMIC D1000 SERIES REC CONTACT M TYPE REEL		
CHK D.MITSUGI	04MAR2005				
APVD D.MITSUGI	04MAR2005				
PRODUCT SPEC 製品規格 108-78268	SIZE A3		CAGE CODE 00779	DRAWING NO 番号 C-1827570	RESTRICTED TO -
APPLICATION SPEC 取付適用規格 114-5377	WEIGHT -		SCALE 尺度 10:1		SHEET 1 OF 1
MATERIAL 材料	FINISH 仕上		CUSTOMER DRAWING		REV G

DIMENSIONS: 単位: 耗 mm	TOLERANCES UNLESS OTHERWISE SPECIFIED: 一般公差
	0 PLC ± 0.3
	1 PLC ±
	2 PLC ±
	3 PLC ±
	4 PLC ±
	ANGLES ± 3deg