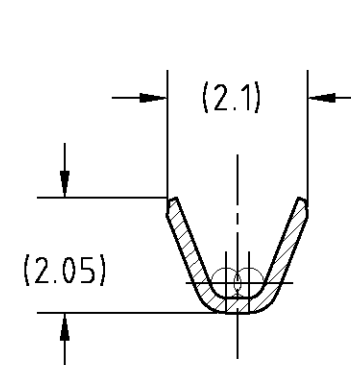
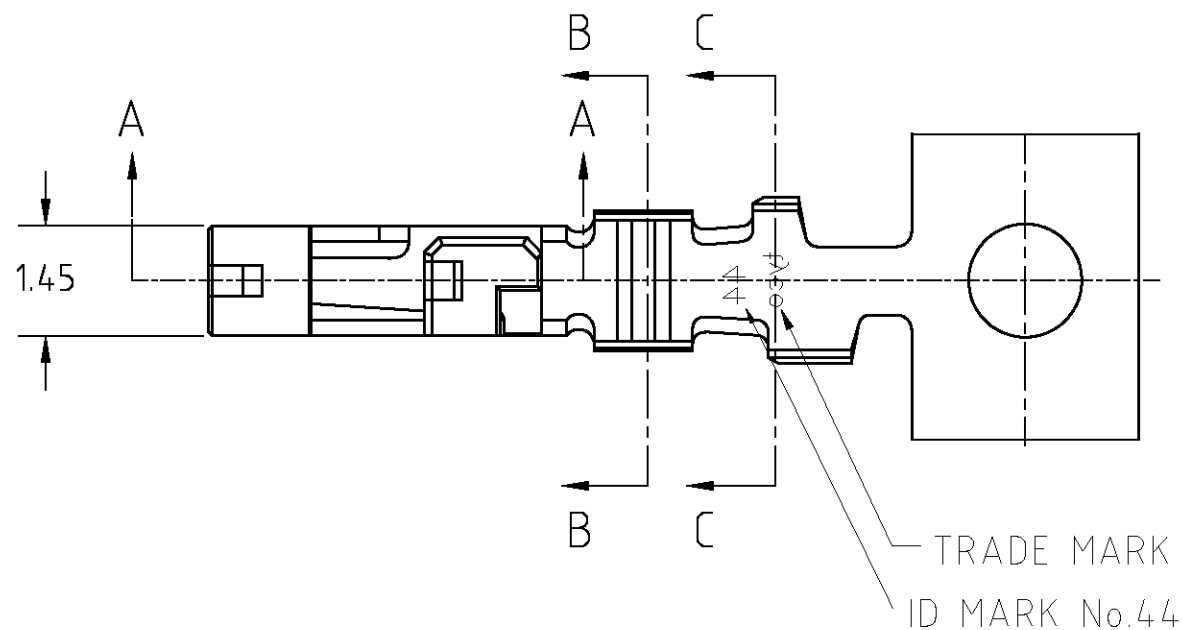
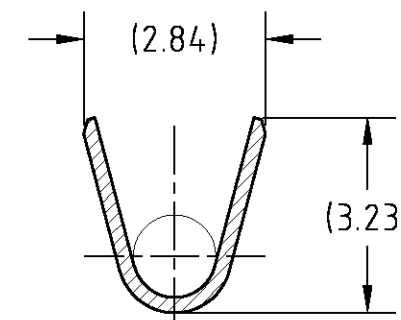


THIS DRAWING IS UNPUBLISHED. RELEASED FOR PUBLICATION
 © COPYRIGHT BY TYCO ELECTRONICS CORPORATION. ALL RIGHTS RESERVED.

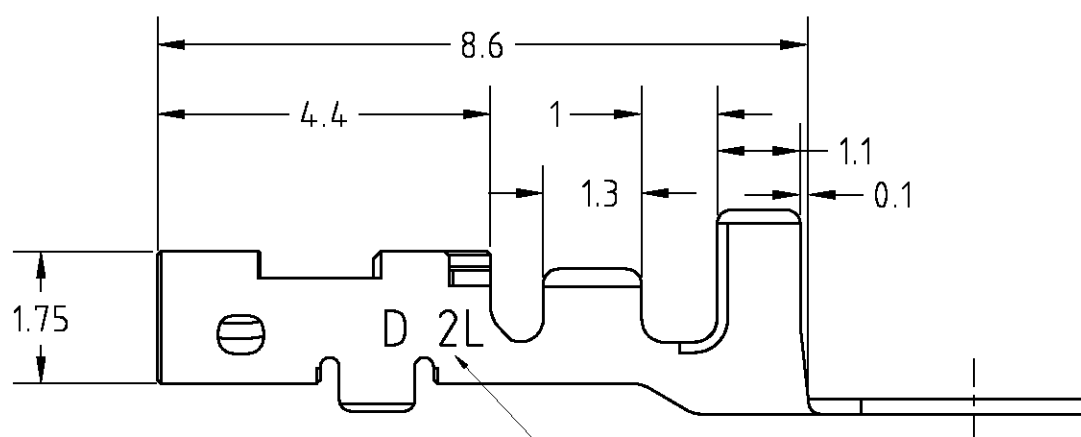
LOC	DIST	REVISIONS					
		P	LTR	DESCRIPTION	DATE	DWN	APVD
J	—		A	RELEASED	28JUN2005	T.K	D.M
			B	REVISED	07SEP2005	T.K	D.M
			C	REVISED	20NOV2009	Y.O	N.Y



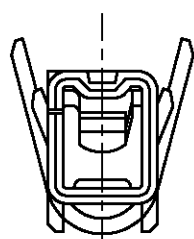
断面B-B
SECT



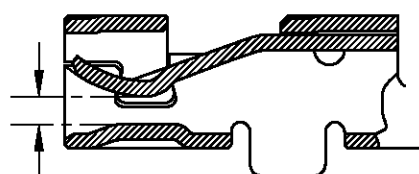
断面C-C
SECT



SERIES MARK



0.5tタブにかん合
MATE WITH 0.5t TAB



断面A-A
SECT

NOTE

1. Application REC-HSG is applied to the product of 2.5mm PITCH or more of DYNAMIC D1000SERIES. 2.0mm PITCH cannot be used

AWG#22~#18 0.34~0.86mm ²	φ1.4~φ2.2	PRE-TIN COPPER ALLOY 錫めっき済銅合金	1871731-1
WIRE RANGE 導体断面積	INSULATION DIA 被覆外径	MATERIAL 材料	PART NO. 型番

THIS DRAWING IS A CONTROLLED DOCUMENT.		DWN T.KUDO 28JUN2005	Tyco Electronics Corporation Tyco Electronics Corporation Kawasaki, Japan	
DIMENSIONS: 単位: 耗 mm		CHK D.MITSUGI 28JUN2005	NAME 名称 DYNAMIC D1000 SERIES REC CONTACT (2L TYPE) TIN PLATE	
TOLERANCES UNLESS OTHERWISE SPECIFIED: 一般公差		APVD D.MITSUGI 28JUN2005	PRODUCT SPEC 製品規格 108-78298	
0 PLC ± 0.3		APPLICATION SPEC 取付適用規格 114-5377		
1 PLC ±		SIZE A3		
2 PXC ±		CAGE CODE 00779		
3 PLC ±		DRAWING NO C-1871731		
4 PLC ±		RESTRICTED TO —		
ANGLES ± 3deg		SCALE 尺度 10:1		
FINISH 仕上		SHEET 1 OF 1		
MATERIAL 材料		REV C		
CUSTOMER DRAWING				