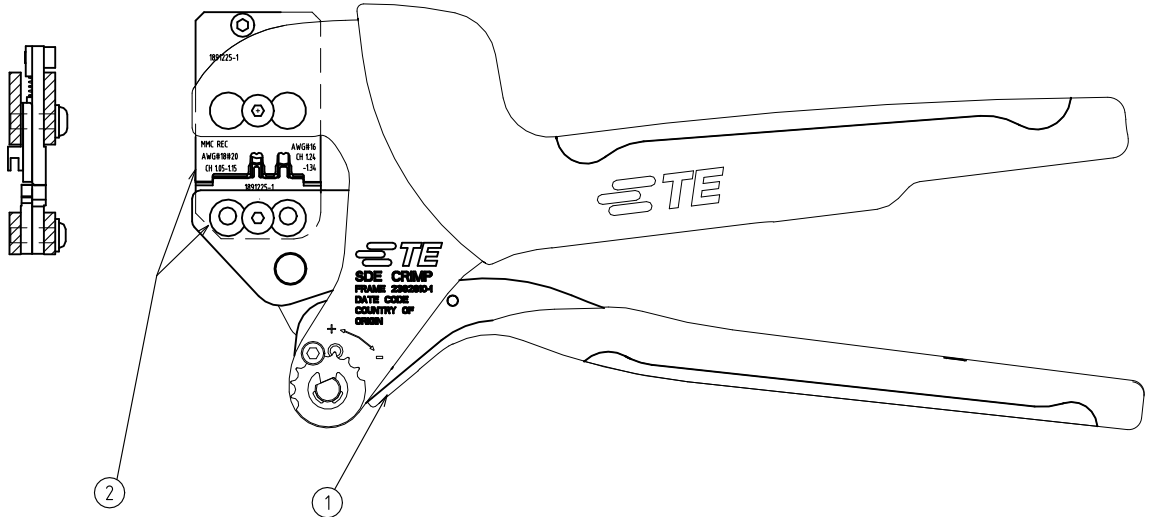


REVISIONS 変更				
P	LTR	DESCRIPTION	DATE	APVD
	B	REVISED PER ECR-23-184103	14AUG2023	AM

TERMINAL No.	WIRE SIZE	INS. RANGE (mm)	TERMINAL CH (mm)		IS. No.
			WIRE	INS.	
1903365-1	0.22 sq	∅0.95-∅1.05	0.58-0.68	1.2 REF	411-78215
	0.35 sq	∅1.1-∅1.2	0.67-0.77	1.3 REF	



0.50 M-TYPE

- 1 ONLY

1	1891225-1	DIE ASSY	2
1	2362810-1	SDE-Pro HAND TOOL	1
-1	PART NO.	NAME	ITEM NO.

TE Connectivity. All Rights Reserved.

DIMENSIONS: 単位: 耗 mm	DWN S.NAKA	25.OCT.2005	MATERIAL 材料	-	FINISH 仕上	-
	CHK S.NAKA	25.OCT.2005	TE Connectivity			
TOLERANCES UNLESS OTHERWISE SPECIFIED: 一般公差	APVD S.YABE	25.OCT.2005				
0 PLC ± -	PRODUCT SPEC 製品規格	-	NAME 名称 SDE HAND TOOL			
1 PLC ± -	APPLICATION SPEC 取付適用規格	114-5379-1	SIZE	CAGE CODE	DRAWING NO 番号	RESTRICTED TO
2 PLC ± -	WEIGHT	650g	A4	00779	1891224	-
3 PLC ± -	CUSTOMER DRAWING		SCALE 尺度	1:2	SHEET 1 OF 1	REV B
4 PLC ± -						
ANGLES ± -						