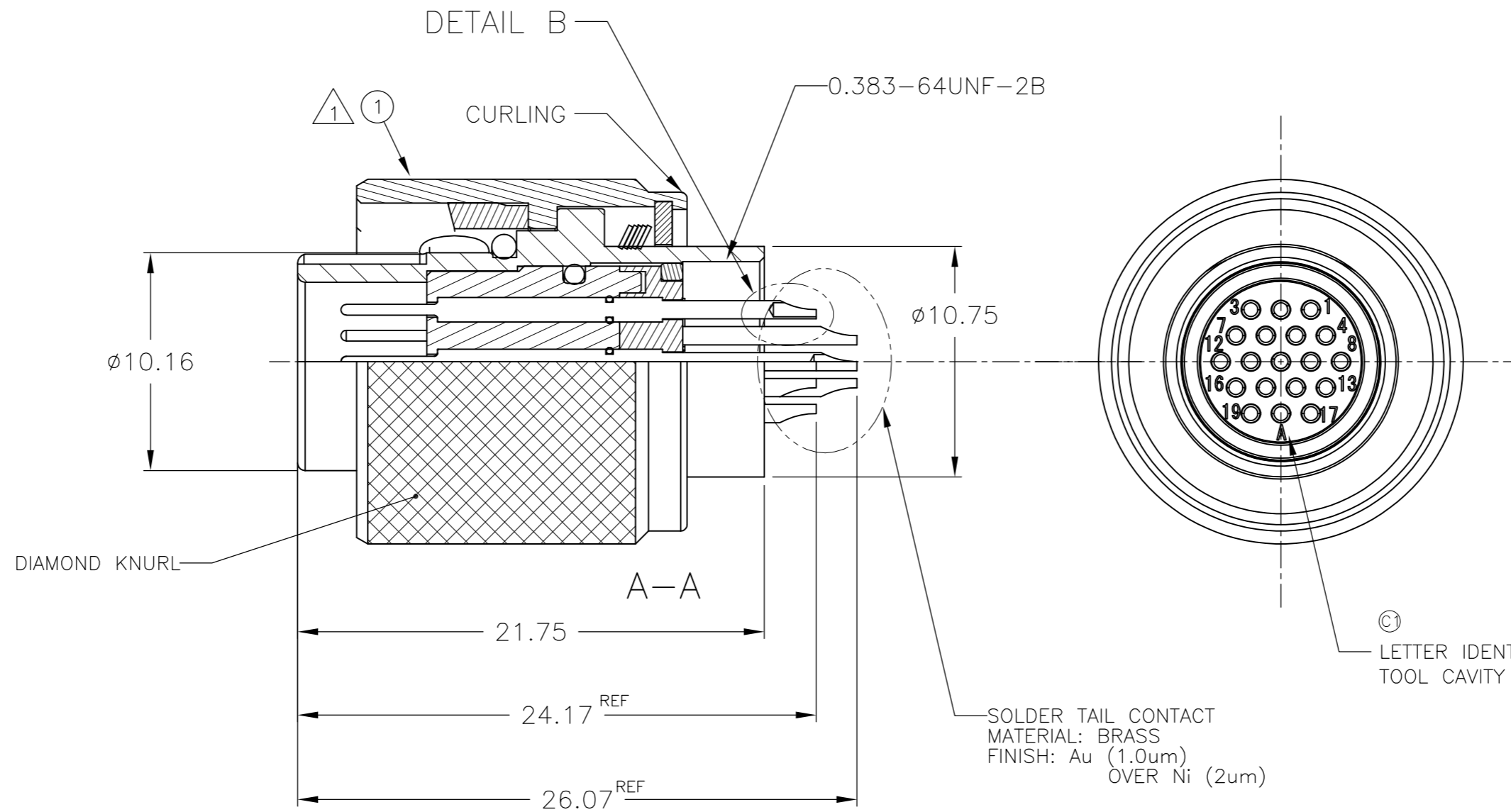
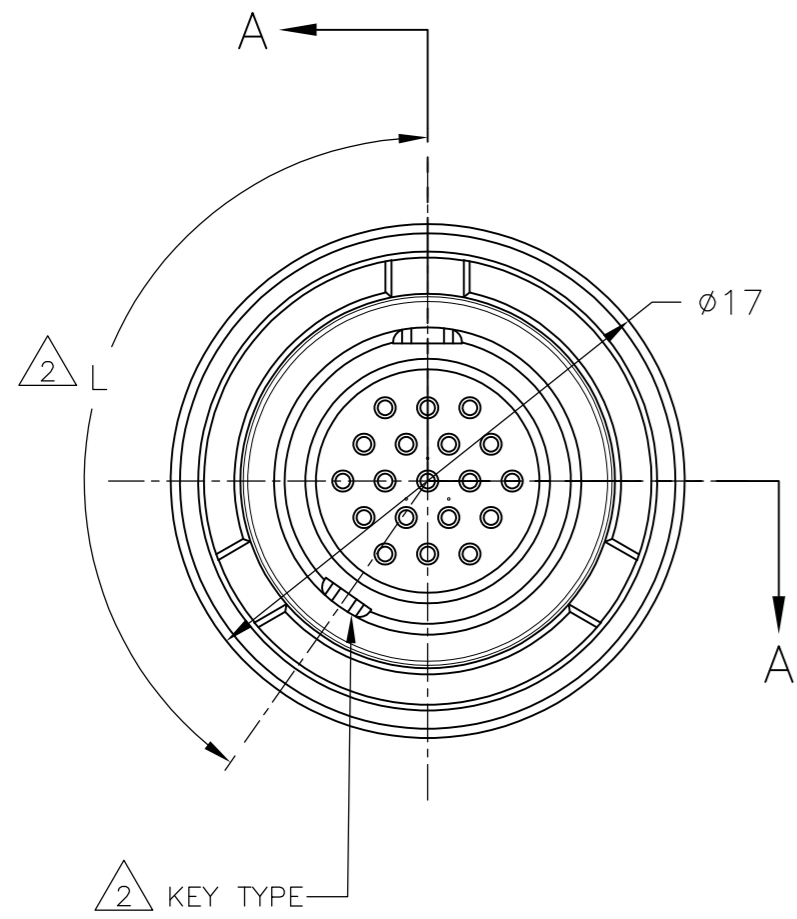


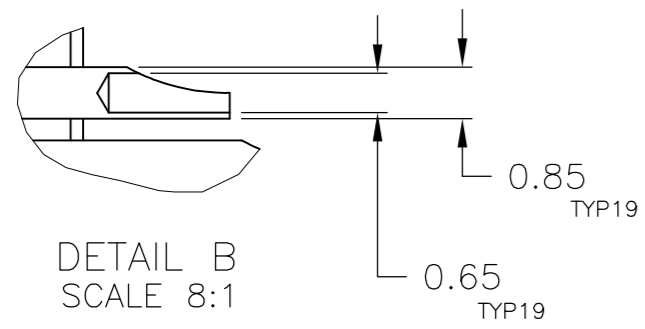
REVISIONS					
P	LTR	DESCRIPTION	DATE	DWN	APVD
C1		REVISED	01NOV2016	C.O	T.K

⚠ MATERIAL: BRASS
 FINISH : BLACK Su-Ni OVER Ni.
 ⚠ KEY POSITION: TYPE N IS NORMAL POSITION.
 OPTION KEY IS TYPE A (-2) AND TYPE B (-3).
 ⚠ "# " IS BODY No.

145°	TYPE N	1-2201481-1	⚠
270°	TYPE B	2174211-3	
215°	TYPE A	2174211-2	
145°	TYPE N	2174211-1	
⚠ DIM L	DESCRIPTION	PART NO.	

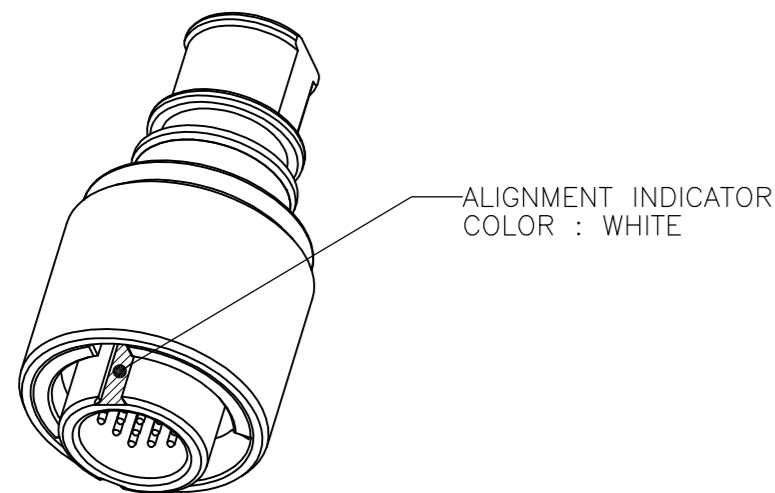
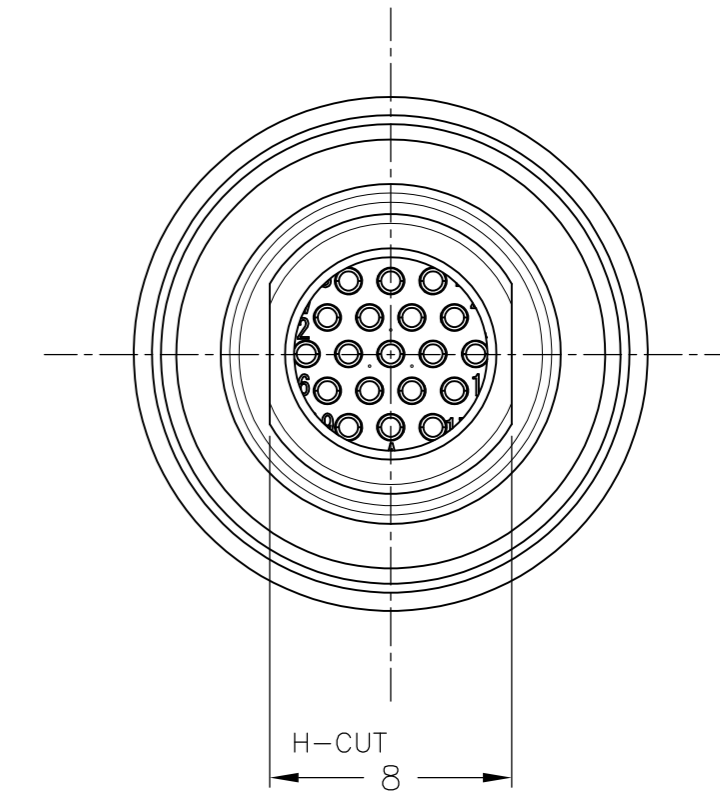
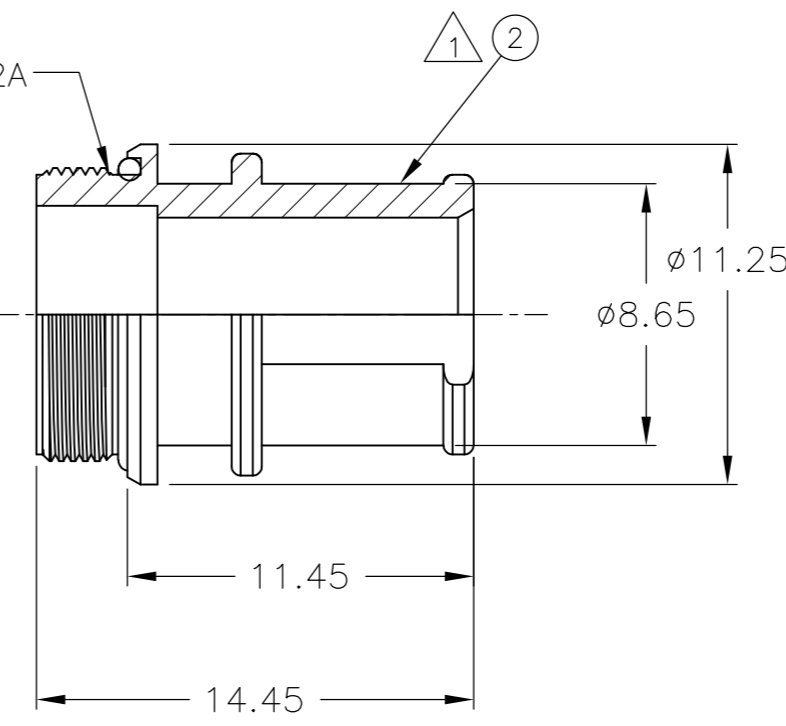
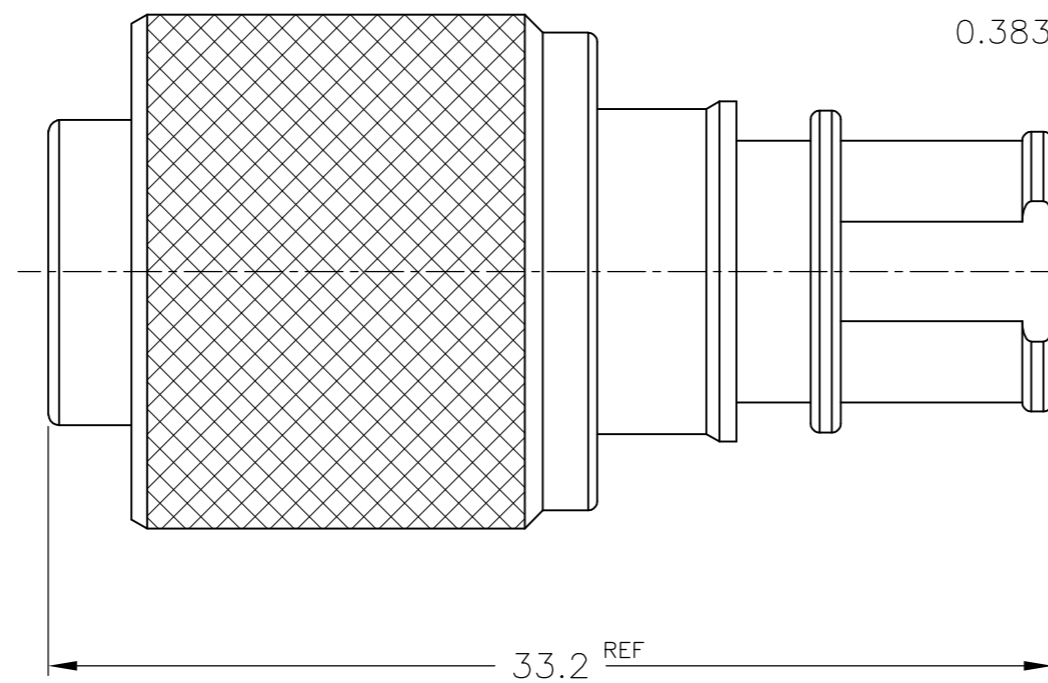


Ⓒ LETTER IDENTIFIES MOLDING TOOL CAVITY NOT CIRCUIT I.D.

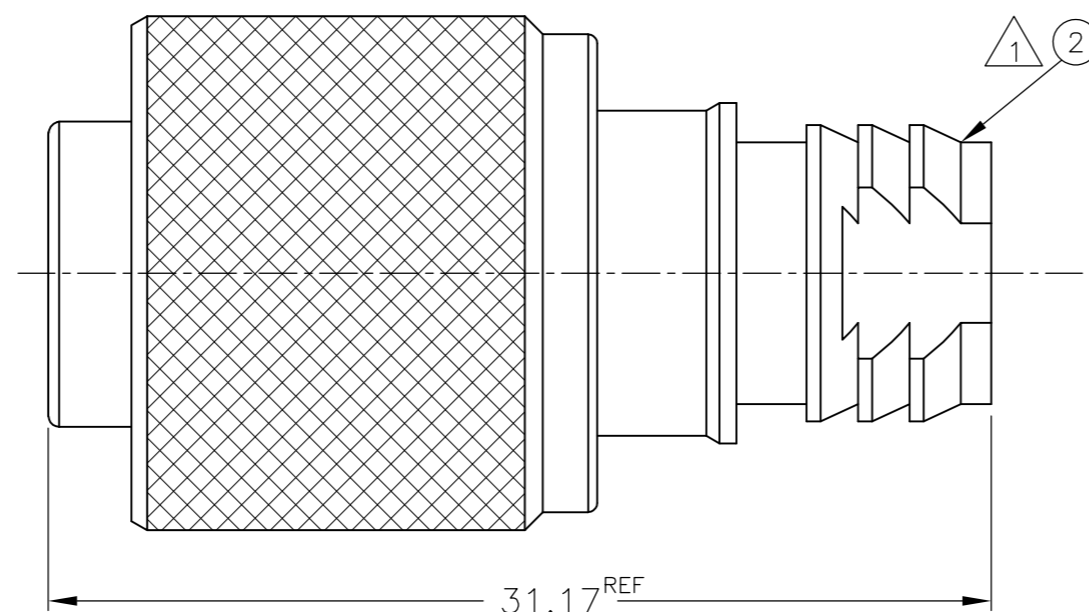


DETAIL B
SCALE 8:1

AS SHOWN 2174211-*



REFERENCE SCALE 2:1
2174211-*



AS SHOWN 1-2174211-1

QTY	REQ.	PER	ASSY	DESCRIPTION	ITEM NO.
1	-	-	-	19P PLUG ADAPTOR SHORT WITH O-RING	Ⓒ
-	1	1	1	19P PLUG ADAPTOR WITH O-RING	Ⓒ
-	1	-	-	19P BAYONET PLUG PIN SOCKET/SOLDER CUP CONT ASSY TYPE B	Ⓒ
-	-	1	-	19P BAYONET PLUG PIN SOCKET/SOLDER CUP CONT ASSY TYPE A	Ⓒ
1	-	-	1	19P BAYONET PLUG PIN SOCKET/SOLDER CUP CONT ASSY TYPE N	Ⓒ
1-#-1	-3	-2	-1	DESCRIPTION	ITEM NO.

⚠ REVISION OF EACH ASSY NO. (WHEN BLANK, USE DRAWING REVISION)

THIS DRAWING IS A CONTROLLED DOCUMENT.		DWN	03FEB2012	TE Connectivity	
DIMENSIONS: mm		CHK	T.SUGIYAMA	NAME	
TOLERANCES UNLESS OTHERWISE SPECIFIED: ±0.1		APVD	T.TONOBÉ	NMSMC 19P BAYONET PLUG PIN SOCKET / SOLDER CUP CONNECTOR / KIT	
⌀ PLG ±		PRODUCT SPEC	T.SUGIYAMA	SIZE	CAGE CODE
1 PLG ±		APPLICATION SPEC	108-78938	DRAWING NO	RESTRICTED TO
2 PLG ±		WEIGHT	114-5503	A2	00779
3 PLG ±		CUSTOMER DRAWING	0.000000	SCALE	4:1
4 PLG ±				SHEET	1 of 1
ANGLES ±				REV	C1
FINISH					