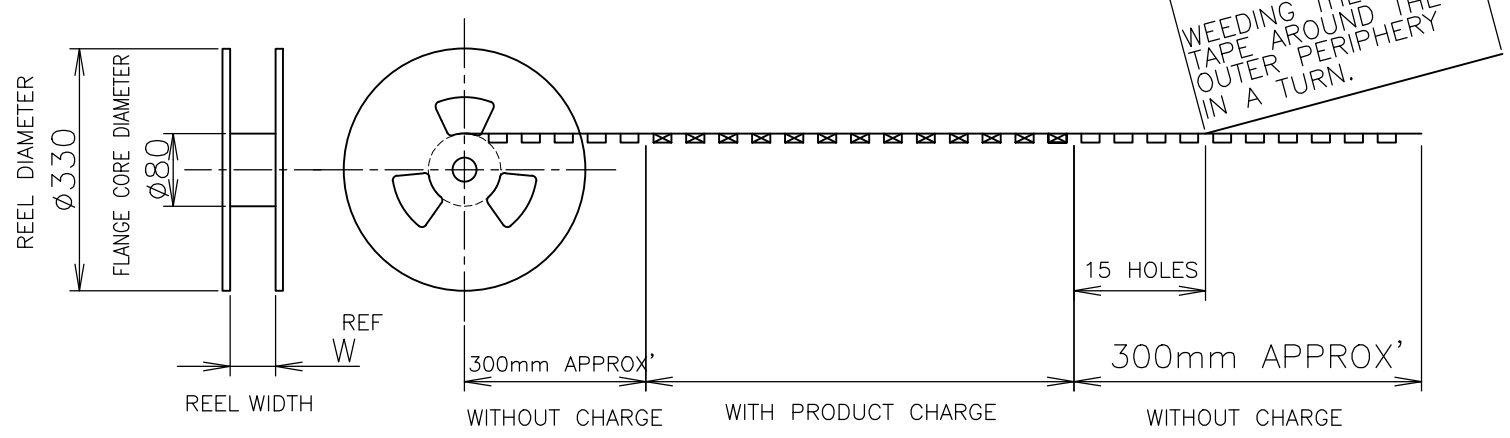
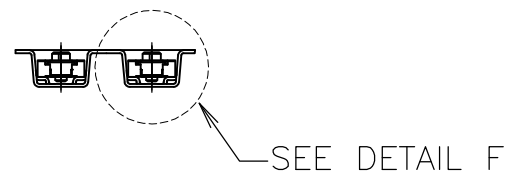
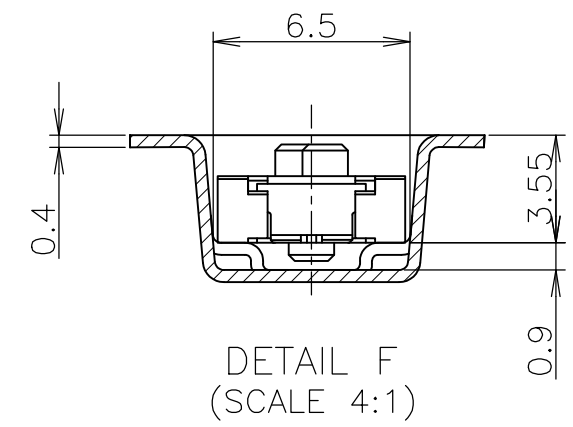
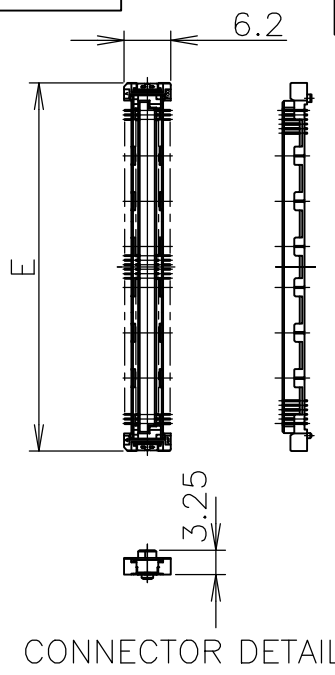
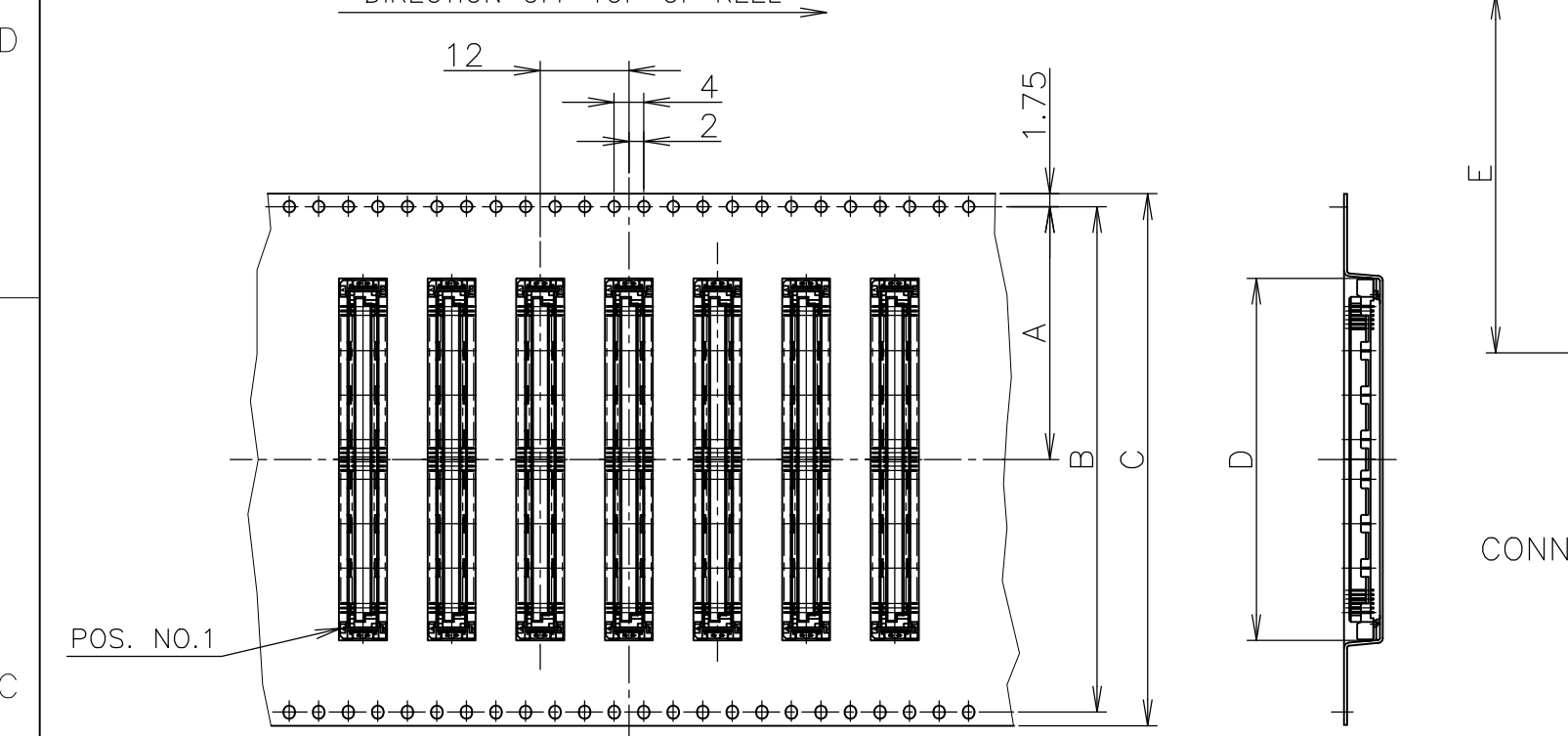


THIS DRAWING IS UNPUBLISHED. RELEASED FOR PUBLICATION DEC ,1996.
 © COPYRIGHT 1996 BY TYCO ELECTRONICS CORPORATION. ALL RIGHTS RESERVED.

| LOC | DIST | REVISIONS | | | |
|-----|------|-------------|---------------------------|-----------|---------|
| P | LTR | DESCRIPTION | DATE | DWN | APVD |
| J | | E1 | REVISED PER ECO-19-011375 | 19JUL2019 | R.L H.L |



| HOUSING COLOR | SEALANT | TOOLING STATUS | QTY. | W | E | D | C | B | A | POS. | PART NO. |
|---------------|---------------|----------------|------|------|------|----|----|------|------|------|-------------|
| BLACK | AVAILABLE | | 1000 | 77.5 | 48.7 | 49 | 72 | 68.4 | 34.2 | 140 | 8-5353189-0 |
| | NOT AVAILABLE | | | 77.5 | 54.7 | 55 | 72 | 68.4 | 34.2 | 160 | 6-5353189-1 |
| | | | | 77.5 | 48.7 | 49 | 72 | 68.4 | 34.2 | 140 | 6-0 |
| | | | | 61.5 | 42.7 | 43 | 56 | 52.4 | 26.2 | 120 | 5-9 |
| | | | | 61.5 | 36.7 | 37 | 56 | 52.4 | 26.2 | 100 | 5-8 |
| | NOT AVAILABLE | | | 61.5 | 33.7 | 34 | 56 | 52.4 | 26.2 | 90 | 5-7 |
| | - AVAILABLE | | | 49.5 | 30.7 | 31 | 44 | 40.4 | 20.2 | 80 | 5-6 |
| | NOT AVAILABLE | | | 49.5 | 27.7 | 28 | 44 | 40.4 | 20.2 | 70 | 5-5 |
| | NOT AVAILABLE | | | 49.5 | 24.7 | 25 | 44 | 40.4 | 20.2 | 60 | 5-4 |
| | - AVAILABLE | | | 37.5 | 21.7 | 22 | 32 | 28.4 | 14.2 | 50 | 5-3 |
| | NOT AVAILABLE | | | 37.5 | 18.7 | 19 | 32 | 28.4 | 14.2 | 40 | 5-2 |
| | AVAILABLE | | | 29.5 | 15.7 | 16 | 24 | 11.5 | 11.5 | 30 | 5-5353189-1 |
| NATURAL | NOT AVAILABLE | | 1000 | 77.5 | 54.7 | 55 | 72 | 68.4 | 34.2 | 160 | 1-5353189-1 |
| | | | | 77.5 | 48.7 | 49 | 72 | 68.4 | 34.2 | 140 | 1-0 |
| | | | | 61.5 | 42.7 | 43 | 56 | 52.4 | 26.2 | 120 | -9 |
| | NOT AVAILABLE | | | 61.5 | 36.7 | 37 | 56 | 52.4 | 26.2 | 100 | -8 |
| | - AVAILABLE | | | 61.5 | 33.7 | 34 | 56 | 52.4 | 26.2 | 90 | -7 |
| | NOT AVAILABLE | | | 49.5 | 30.7 | 31 | 44 | 40.4 | 20.2 | 80 | -6 |
| | | | | 49.5 | 27.7 | 28 | 44 | 40.4 | 20.2 | 70 | -5 |
| | | | | 49.5 | 24.7 | 25 | 44 | 40.4 | 20.2 | 60 | -4 |
| | | | | 37.5 | 21.7 | 22 | 32 | 28.4 | 14.2 | 50 | -3 |
| | | | | 37.5 | 18.7 | 19 | 32 | 28.4 | 14.2 | 40 | -2 |
| | NOT AVAILABLE | | | 29.5 | 15.7 | 16 | 24 | 11.5 | 11.5 | 30 | 5353189-1 |

3 THIS PRODUCT WAS COATED BY FLUX-PENETRATION -INHIBITING AGENT.

THIS DRAWING IS A CONTROLLED DOCUMENT.

| | | | |
|----------------|--|------------------------|---|
| DIMENSIONS: MM | TOLERANCES UNLESS OTHERWISE SPECIFIED: | DWN HAWKING HE 20DEC04 | Tyco Electronics Corporation Kawasaki, Japan |
| | | CHK STEVEN YAO 20DEC04 | |
| | | APVD I.ENOMOTO 20DEC04 | NAME |
| | | PRODUCT SPEC | EMBOSS ASSY FH 0.6BTB CONNECTOR REC 4H STD TYPE |
| | | 108-60047 | SIZE CAGE CODE DRAWING NO RESTRICTED TO |
| | | 114-5255 | A3 00779 C-5353189 |
| MATERIAL | FINISH | WEIGHT | CUSTOMER DRAWING SCALE 1:1 SHEET 1 OF 2 REV E1 |

4

3

2

1

THIS DRAWING IS UNPUBLISHED.

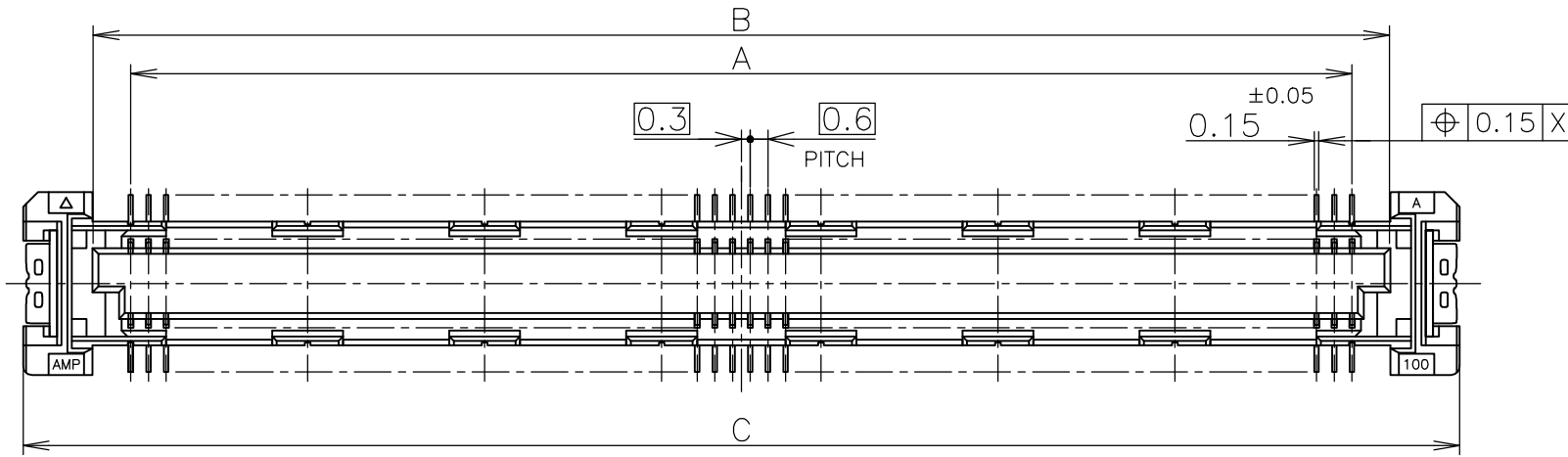
RELEASED FOR PUBLICATION . DEC 1996

© COPYRIGHT 1996 BY TYCO ELECTRONICS CORPORATION. ALL RIGHTS RESERVED.

| LOC | DIST | REVISIONS | | | | | |
|-----|------|-----------|-----|-------------|------|-----|------|
| J | | P | LTR | DESCRIPTION | DATE | DWN | APVD |
| | | - | | SEE SHEET 1 | - | - | - |

D

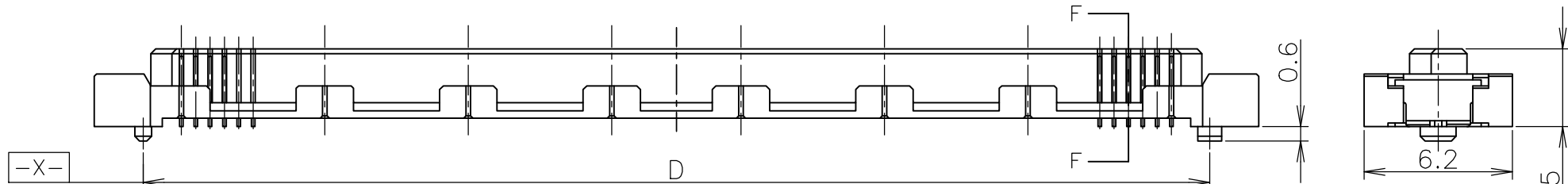
D



△ MATERIAL : HOUSING : HIGH TEMP THERMO PLASTIC
UL94V-0
CONTACT : COPPER ALLOY
△ FINISH : UNDER PL Ni 0.0013mm MIN ALL OVER.
CONTACT AREA 0.0002 MIN Au PL.
SOLDERING AREA 0.00005 MIN Au PL.

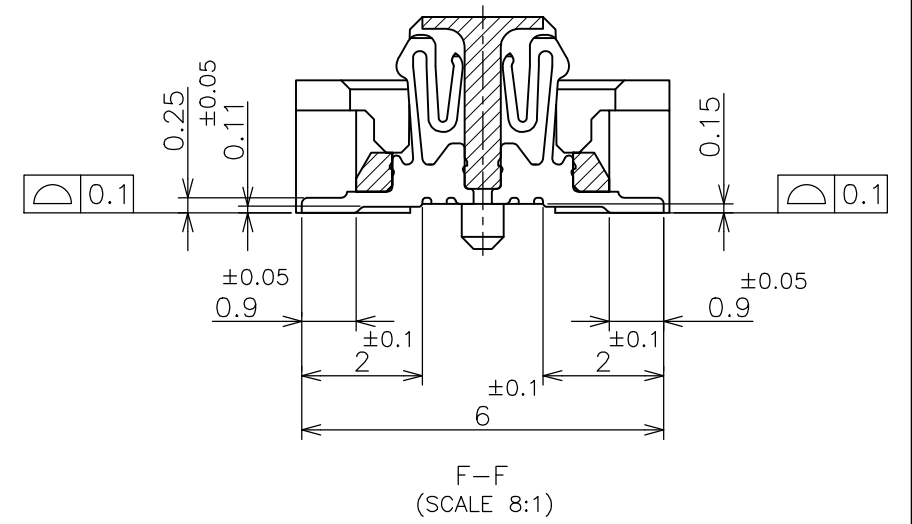
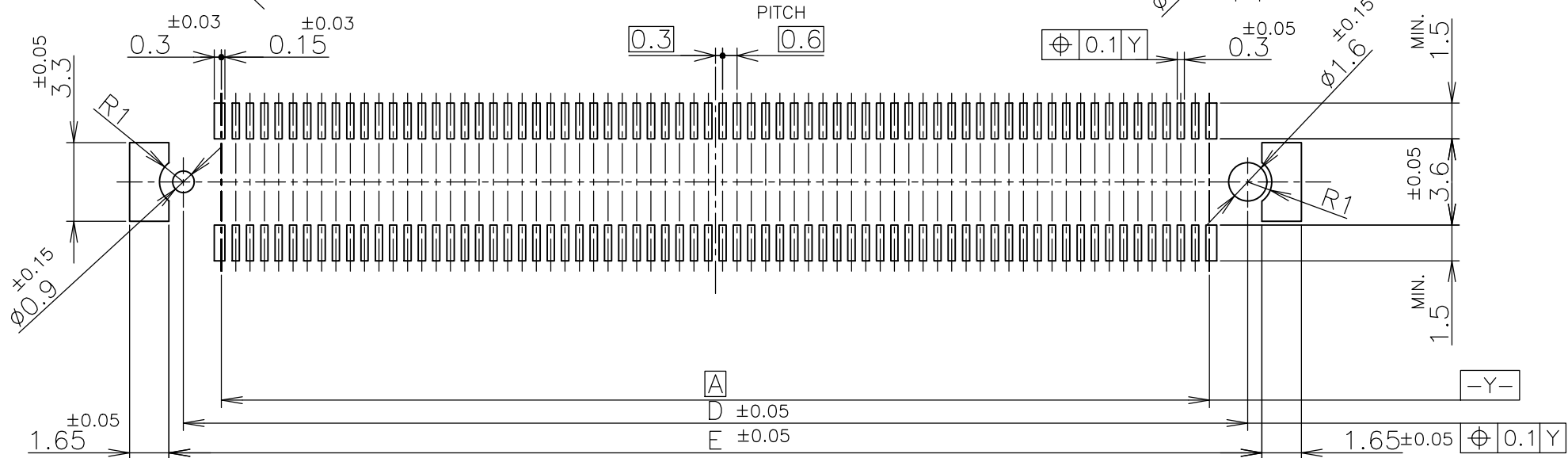
C

C



B

B



REFERENCE P.C. BOARD LAYOUT

| | | | | | | |
|----------------|------|------|------|----|------|-----|
| AVAILABLE | 51.8 | 50.6 | 54.7 | 50 | 47.4 | 160 |
| AVAILABLE | 45.8 | 44.6 | 48.7 | 44 | 41.4 | 140 |
| NOT AVAILABLE | 39.8 | 38.6 | 42.7 | 38 | 35.4 | 120 |
| NOT AVAILABLE | 33.8 | 32.6 | 36.7 | 32 | 29.4 | 100 |
| AVAILABLE | 30.8 | 29.6 | 33.7 | 29 | 26.4 | 90 |
| AVAILABLE | 27.8 | 26.6 | 30.7 | 26 | 23.4 | 80 |
| AVAILABLE | 24.8 | 23.6 | 27.7 | 23 | 20.4 | 70 |
| NOT AVAILABLE | 21.8 | 20.6 | 24.7 | 20 | 17.4 | 60 |
| AVAILABLE | 18.8 | 17.6 | 21.7 | 17 | 14.4 | 50 |
| NOT AVAILABLE | 15.8 | 14.6 | 18.7 | 14 | 11.4 | 40 |
| NOT AVAILABLE | 12.8 | 11.6 | 15.7 | 11 | 8.4 | 30 |
| TOOLING STATUS | E | D | C | B | A | POS |

| | | | | | | |
|--|--|------------------|---|-----------|------------|---------------|
| THIS DRAWING IS A CONTROLLED DOCUMENT. | | DWN | Tyco Electronics Corporation Kawasaki, Japan | | | |
| DIMENSIONS: MM | | CHK | NAME | | | |
| TOLERANCES UNLESS OTHERWISE SPECIFIED: | | APVD | EMBOSS ASSY FH 0.6BTB CONNECTOR REC 4H STD TYPE | | | |
| 0 PLC ± 0.3 | | PRODUCT SPEC | SIZE | CAGE CODE | DRAWING NO | RESTRICTED TO |
| 1 PLC ± 0.3 | | APPLICATION SPEC | A3 | 00779 | C-5353189 | |
| 2 PLC ± 0.3 | | WEIGHT | CUSTOMER DRAWING | | | |
| 3 PLC ± 0.3 | | | SCALE | SHEET | OF | REV |
| 4 PLC ± 0.3 | | | 4:1 | 2 | 2 | E1 |
| ANGLES ± 3' | | | | | | |
| FINISH | | | | | | |