



EVERY
CONNECTION
COUNTS

AMP+ EV Charging Coupler Cable Assembly Type 1 / Level 2

EMPOWERING ELECTRIC MOBILITY. Before everyone can embrace driving hybrid and electric vehicles, we need a safe, reliable way to get the power from the grid into the batteries. TE Connectivity's (TE) broad array of energy and industrial technologies have seen decades of real-world use connecting and protecting the flow of power around the world. More than 50 years of experience with high-voltage electricity separate us from automotive engineering companies in the hybrid and EV industry.

TE AMP+ EV Charging Coupler Cable Assembly Type 1 / Level 2 charging coupler cable assemblies are capable of high mating-cycle requirements, use electronic switches rather than mechanical detection, and meet SAE J1772 specifications. Contact assemblies are sealed against moisture and corrosion and are UL 2251 recognized. Designed with the end user in mind, materials meet outdoor classification F1 (UL) and are resistant to common automotive fluids. You can depend on TE to be safe and reliable in your application.

Let TE mold an AMP+ EV Charging Coupler Cable Assembly to match your EVSE color scheme



AMP+ EV Charging Coupler Cable Assembly Type 1 / Level 2



EV Charging Coupler Cable Assembly KEY FEATURES

- Improved safety and reliability with individual housing seal for each contact
- Individual seals prevent moisture inside the coupler body and corrosion of the crimping zone
- Magnetically operated reed switch increases life of product by reducing arc effects
- No electrical power required to operate reed switch
- Housing and cable colors customized to match EVSE color scheme
- Materials are resistant to UV (F1) exposure and common automotive fluids
- UL 2251 recognized

TE Technical Support Center

Canada:	+1.905.470.4425
C. America:	+52.0.55.1106.0814
China:	+86.0.400.820.6015
France:	+33.0.1.3420.8686
Germany:	+49.0.6251.133.1999
Great Britain:	+44.0.8706.080208
India:	+91.80.285.40800
Japan:	+81.44.844.8111
Korea:	+82.2.3415.4500
Mexico:	+52.0.55.1106.0814
Netherlands:	+31.0.73.6246.999
South America:	+55.0.11.2103.6000
USA:	+1.800.522.6752

te.com

© 2012 Tyco Electronics Corporation, a TE Connectivity Ltd. Company. All Rights Reserved. 3-1773464-9 GAD TB 4M 05/2012

TE Connectivity, TE connectivity (logo) and AMP+ are trademarks. Other logos, product and/or company names might be trademarks of their respective owners.

APPLICATIONS

- Single-ended termination for integration into EVSE by equipment builder
- For AC use only

MECHANICAL

- Magnetically operated activation
- 10,000 mating cycles
- Housing seal for each contact
- Housing and cable colors can be customized

ELECTRICAL

- 30 amps, 600 volt
- Option for one or two pilot wires

MATERIALS

- Contacts: Brass
- Housing: UL94V-0 rated thermoplastic
- Materials are rated F1 for UV exposure and are resistant to common automotive fluids

ENVIRONMENTAL

- IP 54

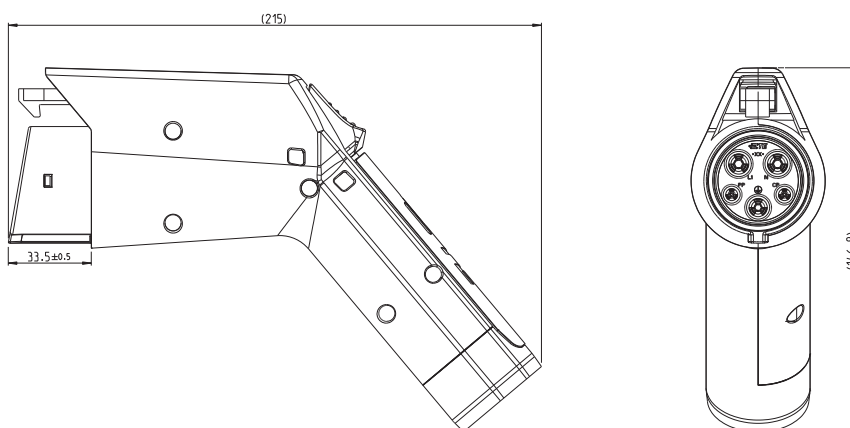
STANDARDS AND SPECIFICATIONS

- SAE J1772 compliant
- Recognized per UL 2251
- RoHS compliant

PRODUCT OFFERING

4 - Conductor					
Color	Wire Type	TE P/N 10 ft	TE P/N 15 ft	TE P/N 20 ft	TE P/N 25 ft
Gray	Ultra flex rope style TPE 4C (3C 10 AWG + 1C 20 AWG), Black Madison spec 102-1687	2220001-1	2220001-2	2220001-3	2220001-4
Black		2220002-1	2220002-2	2220002-3	2220002-4
White		2220003-1	2220003-2	2220003-3	2220003-4
5 - Conductor					
Gray	Ultra flex rope style TPE 5C (3C 10 AWG + 2C 20 AWG), Black Madison spec 102-1588	2220004-1	2220004-2	2220005-3	2220004-4
Black		2220005-1	2220005-2	2220005-3	2220005-4
White		2220006-1	2220006-2	2220006-3	2220006-4

PRODUCT DIMENSIONS



While TE has made every reasonable effort to ensure the accuracy of the information in this brochure, TE does not guarantee that it is error-free, nor does TE make any other representation, warranty or guarantee that the information is accurate, correct, reliable or current. TE reserves the right to make any adjustments to the information contained herein at any time without notice. TE expressly disclaims all implied warranties regarding the information contained herein, including, but not limited to, any implied warranties of merchantability or fitness for a particular purpose. The dimensions in this catalog are for reference purposes only and are subject to change without notice. Specifications are subject to change without notice. Consult TE for the latest dimensions and design specifications.