

File E66717  
SR#5975412-T004

May 09, 1984

REPORT

On

COMPONENT - ELECTRICAL QUICK-CONNECT TERMINALS

TYCO ELECTRONICS CORP  
HARRISBURG PA 17111

Copyright © 1984 Underwriters Laboratories Inc.

Underwriters Laboratories Inc. authorizes the above named company to reproduce this Report either in its entirety or the portion of this Report consisting of the Cover Page up to (but not including) the Construction Details Descriptive pages.

D E S C R I P T I O NPRODUCT COVERED:

Component quick-connect connectors for Tabs, Faston Series 110, 187, 205, 250. (For specific part nos. see manufacturer's drawings.)

Component quick-connect tabs, Series .250, cat. nos. contained in manufacturer's drawings.

**USR, CNR - FASTON Quick-Connect Connectors for copper alloy tabs, Series 250, Cat. No. 1217080-1.**

GENERAL CHARACTER AND USE:

The products covered are quick-connect connectors intended for factory assembly on No. 22-10 AWG stranded copper wire using this manufacturer's power tooling. They are intended for use in equipment where strain relief is provided. The quick-connect connectors are for use on the following copper \*alloy production tabs, assembled with the specified tooling.

Wire Size (AWG)Number of Strands

No. 10	105
No. 12	65
No. 14	41
No. 16	26
No. 18	16
No. 20	10
No. 22	7

Part No. 160883 is similar to Part No. 160430, except without slots provided on the connector end. See Ill. 18 for details.

Series .250 tabs are copper alloy production tabs mounted by integrally formed pins. They are for use with size .250 quick-connect connectors. See Ills. 19-25 inclusive for details. Series 250 tabs are for factory-wiring.

ENGINEERING CONSIDERATIONS (NOT FOR UL REPRESENTATIVE USE):

These devices are for use in equipment where the acceptability of the combination is determined by Underwriters Laboratories Inc.

Conditions of Acceptability - The following items are to be judged with respect to specific applications in their end use.

1. These devices are not to be used for current interruption on grounding purposes.
2. These devices are for use where strain relief is provided as part of the equipment.
3. These devices are for internal wiring only in electrical equipment.
4. The mounting suitability of the Series .250 tabs shall be determined in the end-use equipment.
5. **The mounting suitability of the Cat. No. 1217080-1 shall be determined in the end-use equipment.**

[REDACTED]

[REDACTED]

[REDACTED]

[REDACTED]

Marking - Each connector or tab is marked with the manufacturer's name or trademark. The smallest unit cartons or reels are marked with:

1. The manufacturer's name or trademark.
2. Part No. Note: Leading zeros of Part Nos. are optional.
3. Wire sizes (connectors only).
4. A statement indicating that the connectors are "for use with Cu wire" or equivalent, (connectors only).

PART NO. 0-160526-5

FIG. 1 (M84-4010)

General - The quick-connectors shown in Fig. 1 are representative of the connectors Recognized in this report. For specific catalog numbers, wire and tab sizes, refer to illustrations.

B.L.

J.P.

**PART NO. 1217080-1**

**ILL. 35**

**1. Connector Body - Tin plated brass. See ILL. 35 for dimensional details.**

E 667 17


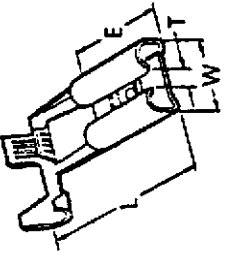


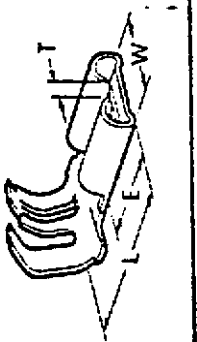
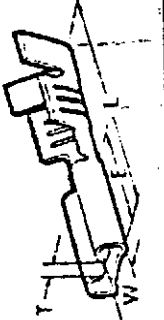
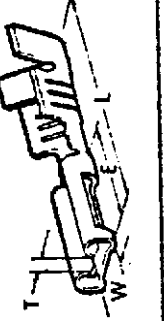
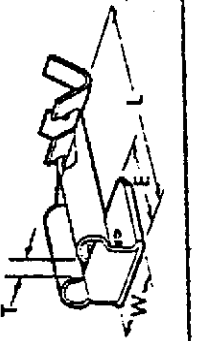
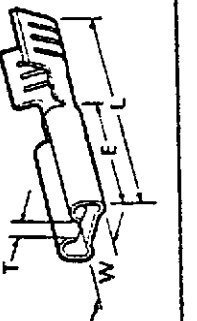
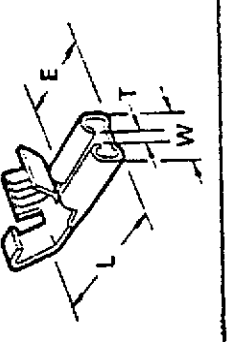
VOL. I  
AND

SEC. I  
REPORT

FIG. I



File	66717
Vol.	4
Sec.	1 and Report
Ill.	1
Iss.	5-9-84

	1		2		3		4		5		6		7		8		9		10
---	---	---	---	--	---	---	---	---	---	---	---	---	---	--	---	---	---	---	----

File **66717** Vol. **4** Sec. **1**  
and Report  
III. **2** Iss. **5-9-84**

\*\*\* RECEPTACLE 110 SERIES FASTON \*\*\*

DATE: 04/29/83  
C A T A L O G N O .  
STRIP LOOSE PIECE

FIG.	RA N G E WIRE	INSUL.	TAB THK.	M A T E R I A L TYPE	F I N I S H	D I M E N S I O N S W L E	S T R I P	U S E Q U I V A L E N T P A R T N U M B E R	U L	R E M A R K S O R N O T E S
0-140716-1	0.2-0.35	1.0-1.5	0.50	0.25 BRASS	PRETIN	3.7 16.1	0.6	0-042067-1	3&4	
0-140716-2	0.2-0.35	1.0-1.5	0.50	0.25 BRASS	PRETIN	3.7 16.1	0.6	0-042067-1	3&4	
0-140716-3	0.2-0.35	1.0-1.5	0.40	0.25 BRASS	PRETIN	3.7 16.1	0.6	0-042067-1	3&4	
0-140716-4	0.2-0.35	1.0-1.5	0.40	0.25 BRASS	PRETIN	3.7 16.1	0.6	0-042067-1	3&4	
0-140717-1	0.3-0.8	1.5-2.5	0.80	0.25 BRASS		3.7 16.1	0.6		3	
0-141286-1									2	
0-140717-2	0.3-0.8	1.5-2.5	0.80	0.25 BRASS	PRETIN	3.7 16.1	0.6	0-060197-1	3	
0-141286-2									2	
0-140717-3	0.3-0.8	1.5-2.5	0.80	0.25 BRASS	SILVER	3.7 16.1	0.6		3	
0-140717-4									3	
0-140717-5	0.3-0.8	1.5-2.5	0.80	0.25 BRASS	NICKEL	3.7 16.1	0.6		3	
0-141352-1	0.3-0.8	1.7-2.5	0.50	0.25 BRASS	TIN	3.7 7.4	0.8		3	
0-141352-2	0.3-0.8	1.7-2.5	0.50	0.25 BRASS	TIN	3.7 7.4	0.8		3	
0-141352-3	0.3-0.8	1.7-2.5	0.80	0.25 BRASS	TIN	3.7 7.4	0.8		3	
0-141352-4	0.3-0.8	1.7-2.5	0.80	0.25 BRASS	TIN	3.7 7.4	0.8		3	
0-141352-5	0.3-0.8	1.7-2.5	0.80	0.25 BRASS	TIN	3.7 7.4	0.8		3	
0-141352-6	0.3-0.8	1.7-2.5	0.80	0.25 BRASS	TIN	3.7 7.4	0.8		3	
0-141352-7	0.3-0.8	1.7-2.5	0.50	0.25 BRASS	TIN	3.7 7.4	0.8		3	
0-141352-8	0.3-0.8	1.7-2.5	0.50	0.25 BRASS	TIN	3.7 7.4	0.8		3	
0-141352-9	0.3-0.8	1.7-2.5	0.50	0.25 BRASS	TIN	3.7 7.4	0.8		3	
0-150500-1	0.2-0.6	2.0-3.0	0.50	0.25 BRASS	TIN	3.7 15.3	0.7	0-042068-0	4	
0-150500-2	0.2-0.6	2.0-3.0	0.50	0.25 BRASS	TIN	3.7 15.3	0.7	0-042068-1	4	
0-150500-3	0.2-0.6	2.0-3.0	0.50	0.25 BRASS	GOLD	3.7 15.3	0.7	0-042068-5	4	
0-150500-4	0.2-0.6	2.0-3.0	0.50	0.25 BRASS	PRETIN	3.7 15.3	0.7	0-042068-1	4	
0-150500-5	0.2-0.6	2.0-3.0	0.50	0.25 BRASS	SILVER	3.7 15.3	0.7	0-042068-6	4	
0-150500-6	0.2-0.6	2.0-3.0	0.50	0.25 BRASS	TIN	3.7 15.3	0.7	0-042068-3	4	
0-150500-7	0.2-0.6	2.0-3.0	0.50	0.25 BRASS	TIN	3.7 15.3	0.7	0-042068-1	4	
0-150501-1	0.2-0.6	2.0-3.0	0.40	0.25 BRASS	TIN	3.7 15.3	0.7	0-042068-0	4	
0-150501-2	0.2-0.6	2.0-3.0	0.40	0.25 BRASS	TIN	3.7 15.3	0.7	0-042068-1	4	
0-150545-1	0.2-0.6	2.0-3.0	0.80	0.25 BRASS	TIN	3.7 15.4	0.7	0-042068-0	4	
0-150545-2	0.2-0.6	2.0-3.0	0.80	0.25 BRASS	PRETIN	3.7 15.4	0.7	0-060197-1	4	
0-150545-3	0.2-0.6	2.0-3.0	0.80	0.25 BRASS	PRETIN	3.7 15.4	0.7	0-060197-1	4	
0-150545-4	0.2-0.6	2.0-3.0	0.80	0.25 BRASS	SILVER	3.7 15.4	0.7	0-042068-6	4	
0-150545-5	0.2-0.6	2.0-3.0	0.80	0.25 BRASS	SILVER	3.7 15.4	0.7	0-042068-3	4	
0-150545-6	0.2-0.6	2.0-3.0	0.80	0.25 BRASS	TIN	3.7 15.4	0.7	0-042068-4	4	
0-150545-7	0.2-0.6	2.0-3.0	0.80	0.25 BRASS	TIN	3.7 15.4	0.7	0-042068-5	4	
0-150545-8	0.2-0.6	2.0-3.0	0.80	0.25 BRASS	TIN	3.7 15.4	0.7	0-042068-0	4	
0-150577-1	0.2-0.6	2.0-3.0	0.23	0.25 BRASS	TIN	3.7 15.4	0.7	0-042068-0	4	

NOTE 1=LOOSE PIECE WIRE BARREL PRE CRIMPED  
NOTE 2=LOOSE PIECE WIRE AND INSULATION BARREL PRE CRIMPED  
NOTE 3=SPLICE FREE REELED  
NOTE 4=WITH CHAMFER AROUND FRONT OF RECEPTACLE

File 66717 Vol. 4 Sec. 1 and Report Tr. 3 Iss. 5-9-84

\*\*\* RECEPTACLE 110 SERIES FASTON \*\*\*

DATE: 04/29/83  
 CATALOC NO. FIG. RANGE WIRE  
 STRIP LOOSE PIECE

NEAREST  
 US EQUIVALENT  
 PARTNUMBER UL

REMARKS  
 OR NOTES

FIG.	RANGE	WIRE	TAB THK.	MATERIAL TYPE	FINISH	W	L	E	S	T	UL PART NUMBER	REMARKS	
0-150577-2	0-150363-2	6 0.2-0.6	2.0-3.0	0.23	0.25	BRASS	TIN	3.7	15.4	6.4	0.7	0-042068-1	Y
0-150651-1	0-150725-1	6 0.2-0.6	2.0-3.0	0.30	0.25	BRASS	TIN	3.7	15.4	6.4	0.7	0-042068-0	Y
0-150651-2	0-150725-2	6 0.2-0.6	2.0-3.0	0.30	0.25	BRASS	TIN	3.7	15.4	6.4	0.7	0-042068-1	Y
0-151614-1		9 0.2-0.6		0.50	0.25	BRASS	PRETIN	3.5	7.7	3.6	0.7	0-062668-1	Y
0-151614-2		9 0.2-0.6		0.50	0.25	BRASS	PRETIN	3.5	7.7	3.6	0.7	0-042399-2	Y
0-151614-3		9 0.2-0.6		0.23	0.25	BRASS	PRETIN	3.5	7.7	3.6	0.7	0-062668-1	Y
0-151614-4		9 0.2-0.6		0.23	0.25	BRASS	PRETIN	3.5	7.7	3.6	0.7	0-042399-1	Y
0-151614-5		9 0.2-0.6		0.80	0.25	BRASS	PRETIN	3.5	7.7	3.6	0.7	0-060601-1	Y
0-151614-6		9 0.2-0.6		0.80	0.25	BRASS	PRETIN	3.5	7.7	3.6	0.7	0-062668-1	Y
0-151614-7		9 0.2-0.6		0.46	0.25	BRASS	PRETIN	3.5	7.7	3.6	0.7	0-042399-2	Y
0-151614-8		9 0.2-0.6		0.46	0.25	BRASS	PRETIN	3.5	7.7	3.6	0.7	0-062668-1	Y
0-151614-9		9 0.2-0.6		0.30	0.25	BRASS	PRETIN	3.5	7.7	3.6	0.7	0-062668-1	Y
1-151614-1		9 0.2-0.6		0.30	0.25	BRASS	PRETIN	3.5	7.7	3.6	0.7	0-042399-1	Y
1-151614-2		9 0.2-0.6		0.30	0.25	BRASS	PRETIN	3.5	7.7	3.6	0.7	0-062668-1	Y
1-151614-3		9 0.2-0.6		0.46	0.25	BRASS	PRETIN	3.5	7.7	3.6	0.7	0-062668-1	Y
1-151614-4		9 0.2-0.6		0.46	0.25	BRASS	PRETIN	3.5	7.7	3.6	0.7	0-042399-1	Y
1-151614-5		9 0.2-0.6		0.46	0.25	BRASS	PRETIN	3.5	7.7	3.6	0.7	0-062668-1	Y
1-151614-6		9 0.2-0.6		0.40	0.25	BRASS	PRETIN	3.5	7.7	3.6	0.7	0-042399-1	Y
1-151614-7		9 0.2-0.6		0.50	0.25	BRASS	SILVER	3.5	7.7	3.6	0.7	0-042399-1	Y
0-154663-1		9 0.05-0.2		0.30	0.25	BRASS	PRETIN	3.5	7.7	3.6	0.7	0-062668-1	Y
0-154663-2		9 0.05-0.2		0.50	0.25	BRASS	PRETIN	3.5	7.7	3.6	0.7	0-062668-1	Y
0-160196-1	0-160306-1	6 0.3-0.6	1.3-2.0	0.80	0.25	BRASS	TIN	3.7	14.0	6.3	0.7		4
0-160196-2	0-160306-2	6 0.3-0.6	1.3-2.0	0.80	0.25	BRASS	SILVER	3.7	14.0	6.3	0.7		4
0-160196-3	0-160306-3	6 0.3-0.6	1.3-2.0	0.80	0.25	BRASS	GOLD	3.7	14.0	6.3	0.7		4
0-160196-4	0-160306-4	6 0.3-0.6	1.3-2.0	0.80	0.25	BRASS	TIN	3.7	14.0	6.3	0.7		4
5-160196-1	5-160306-1	6 0.3-0.6	1.3-2.0	0.80	0.25	BRASS	TIN	3.7	14.0	6.3	0.7		4
5-160196-2	5-160306-2	6 0.3-0.6	1.3-2.0	0.80	0.25	BRASS	SILVER	3.7	14.0	6.3	0.7		4
5-160196-3	5-160306-3	6 0.3-0.6	1.3-2.0	0.80	0.25	BRASS	GOLD	3.7	14.0	6.3	0.7		4
5-160196-4	5-160306-4	6 0.3-0.6	1.3-2.0	0.80	0.25	BRASS	TIN	3.7	14.0	6.3	0.7		4
0-160303-1	0-160321-1	6 0.3-0.6	1.3-2.0	0.80	0.25	BRASS	TIN	3.7	14.0	6.3	0.8	0-062426-1	N
0-160303-2	0-160321-2	6 0.3-0.6	1.3-2.0	0.80	0.25	BRASS	SILVER	3.7	14.0	6.3	0.8		
0-160303-3	0-160321-3	6 0.3-0.6	1.3-2.0	0.80	0.25	BRASS	GOLD	3.7	14.0	6.3	0.8		
0-160303-4	0-160321-4	6 0.3-0.6	1.3-2.0	0.80	0.25	BRASS	TIN	3.7	14.0	6.3	0.8		
0-160303-5	0-160321-5	6 0.3-0.6	1.3-2.0	0.80	0.25	BRASS	TIN	3.7	14.0	6.3	0.8		
0-160303-6	0-160321-6	6 0.3-0.6	1.3-2.0	0.80	0.25	BRASS	TIN	3.7	14.0	6.3	0.8		
0-160303-7	0-160321-7	6 0.3-0.6	1.3-2.0	0.80	0.25	BRASS	TIN	3.7	14.0	6.3	0.8		
0-160303-8	0-160321-8	6 0.3-0.6	1.3-2.0	0.80	0.25	BRASS	TIN	3.7	14.0	6.3	0.8		
0-160303-9	0-160321-9	6 0.3-0.6	1.3-2.0	0.80	0.25	BRASS	TIN	3.7	14.0	6.3	0.8		
1-160303-0	1-160321-0	6 0.3-0.6	1.3-2.0	0.80	0.25	BRASS	PRETIN	3.7	14.0	6.3	0.8	0-060197-1	N
5-160303-1	5-160321-1	6 0.3-0.6	1.3-2.0	0.80	0.25	BRASS	PRETIN	3.7	14.0	6.3	0.8		
5-160303-2	5-160321-2	6 0.3-0.6	1.3-2.0	0.80	0.25	BRASS	TIN	3.7	14.0	6.3	0.8	0-062426-1	N

NOTE 1=LOOSE PIECE WIRE BARREL PRE CRIMPED  
 NOTE 2=LOOSE PIECE WIRE AND INSULATION BARREL PRE CRIMPED  
 NOTE 3=SPLICE FREE REELED  
 NOTE 4=WITH CHAMFER AROUND FRONT OF RECEPTACLE



File 66717 Vol. 4 Sec. 1 and Report

III. 4 Iss. 5-9-84

\*\*\* RECEPTACLE 110 SERIES FASTON \*\*\*

DATE: 04/29/83	C A T A L O G N O .	FIG.	WIRE	R A N G E	INSUL.	TAB	M A T E R I A L	FINISH	D I M E N S I O N S	U S E	N E A R E S T	R E M A R K S
STRIP	LOOSE	PIECE	PIECE	PIECE	PIECE	THK.	THK.	THK.	W	L	PART	OR
											NUMBER	NOTES
5-160303-3	5-160321-3	6	0.3-0.6	1.3-2.0	1.3-2.0	0.80	0.25 BRASS	SILVER	3.7	14.0	0.8	4
5-160303-4	5-160321-4	6	0.3-0.6	1.3-2.0	1.3-2.0	0.80	0.25 BRASS	GOLD	3.7	14.0	0.8	4
5-160303-5	5-160321-5	6	0.3-0.6	1.3-2.0	1.3-2.0	0.80	0.25 BRASS	TIN	3.7	14.0	0.8	4
5-160303-6	5-160321-6	6	0.3-0.6	1.3-2.0	1.3-2.0	0.80	0.25 BRASS	TIN	3.7	14.0	0.8	3&4
5-160303-7	5-160321-7	6	0.3-0.6	1.3-2.0	1.3-2.0	0.80	0.25 BRASS	TIN	3.7	14.0	0.8	3&4
5-160303-8	5-160321-8	6	0.3-0.6	1.3-2.0	1.3-2.0	0.80	0.25 BRASS	PRETIN	3.7	14.0	0.8	4
5-160303-9	5-160321-9	6	0.3-0.6	1.3-2.0	1.3-2.0	0.80	0.25 BRASS	PRETIN	3.7	14.0	0.8	4
5-160303-0	5-160321-0	6	0.3-0.6	1.3-2.0	1.3-2.0	0.80	0.25 BRASS	PRETIN	3.7	14.0	0.8	4
0-160315-1	0-160322-1	6	0.3-0.6	1.3-2.0	1.3-2.0	0.40	0.25 BRASS	TIN	3.7	14.0	0.8	0-060118-1 N
0-160315-2	0-160322-2	6	0.3-0.6	1.3-2.0	1.3-2.0	0.40	0.25 BRASS	SILVER	3.7	14.0	0.8	0-060118-1 N
0-160315-3	0-160322-3	6	0.3-0.6	1.3-2.0	1.3-2.0	0.40	0.25 BRASS	TIN	3.7	14.0	0.8	0-060118-1 N
5-160315-1	5-160322-1	6	0.3-0.6	1.3-2.0	1.3-2.0	0.40	0.25 BRASS	TIN	3.7	14.0	0.8	0-060118-1 N
5-160315-2	5-160322-2	6	0.3-0.6	1.3-2.0	1.3-2.0	0.40	0.25 BRASS	SILVER	3.7	14.0	0.8	0-060118-1 N
5-160315-3	5-160322-3	6	0.3-0.6	1.3-2.0	1.3-2.0	0.40	0.25 BRASS	TIN	3.7	14.0	0.8	0-060118-1 N
5-160315-4	5-160322-4	6	0.3-0.6	1.3-2.0	1.3-2.0	0.40	0.25 BRASS	TIN	3.7	14.0	0.8	0-060118-1 N
5-160315-5	5-160322-5	6	0.3-0.6	1.3-2.0	1.3-2.0	0.40	0.25 BRASS	TIN	3.7	14.0	0.8	0-060118-1 N
0-160316-1	0-160323-1	6	0.3-0.6	1.3-2.0	1.3-2.0	0.50	0.25 BRASS	TIN	3.7	14.0	0.8	0-042068-0 Y
0-160316-2	0-160323-2	6	0.3-0.6	1.3-2.0	1.3-2.0	0.50	0.25 BRASS	SILVER	3.7	14.0	0.8	0-042068-1 Y
0-160316-3	0-160323-3	6	0.3-0.6	1.3-2.0	1.3-2.0	0.50	0.25 BRASS	GOLD	3.7	14.0	0.8	0-042068-5 Y
0-160316-4	0-160323-4	6	0.3-0.6	1.3-2.0	1.3-2.0	0.50	0.25 BRASS	TIN	3.7	14.0	0.8	0-042068-4 Y
0-160316-5	0-160323-5	6	0.3-0.6	1.3-2.0	1.3-2.0	0.50	0.25 BRASS	GOLD	3.7	14.0	0.8	0-042068-0 Y
0-160316-6	0-160323-6	6	0.3-0.6	1.3-2.0	1.3-2.0	0.50	0.25 BRASS	TIN	3.7	14.0	0.8	0-042068-1 Y
0-160316-7	0-160323-7	6	0.3-0.6	1.3-2.0	1.3-2.0	0.50	0.25 BRASS	PRETIN	3.7	14.0	0.8	0-042068-0 Y
0-160316-8	0-160323-8	6	0.3-0.6	1.3-2.0	1.3-2.0	0.50	0.25 BRASS	TIN	3.7	14.0	0.8	0-042068-1 Y
0-160316-9	0-160323-9	6	0.3-0.6	1.3-2.0	1.3-2.0	0.50	0.25 BRASS	PRETIN	3.7	14.0	0.8	0-042068-1 Y
1-160316-0	1-160323-0	6	0.3-0.6	1.3-2.0	1.3-2.0	0.50	0.25 BRASS	TIN	3.7	14.0	0.8	0-042068-0 Y
5-160316-1	5-160323-1	6	0.3-0.6	1.3-2.0	1.3-2.0	0.50	0.25 BRASS	TIN	3.7	14.0	0.8	0-042068-1 Y
5-160316-2	5-160323-2	6	0.3-0.6	1.3-2.0	1.3-2.0	0.50	0.25 BRASS	SILVER	3.7	14.0	0.8	0-042068-1 Y
5-160316-3	5-160323-3	6	0.3-0.6	1.3-2.0	1.3-2.0	0.50	0.25 BRASS	GOLD	3.7	14.0	0.8	0-042068-5 Y
5-160316-4	5-160323-4	6	0.3-0.6	1.3-2.0	1.3-2.0	0.50	0.25 BRASS	TIN	3.7	14.0	0.8	0-042068-4 Y
5-160316-5	5-160323-5	6	0.3-0.6	1.3-2.0	1.3-2.0	0.50	0.25 BRASS	GOLD	3.7	14.0	0.8	0-042068-0 Y
5-160316-6	5-160323-6	6	0.3-0.6	1.3-2.0	1.3-2.0	0.50	0.25 BRASS	TIN	3.7	14.0	0.8	0-042068-1 Y
5-160316-7	5-160323-7	6	0.3-0.6	1.3-2.0	1.3-2.0	0.50	0.25 BRASS	PRETIN	3.7	14.0	0.8	0-042068-0 Y
5-160316-8	5-160323-8	6	0.3-0.6	1.3-2.0	1.3-2.0	0.50	0.25 BRASS	GOLD	3.7	14.0	0.8	0-042068-1 Y
5-160316-9	5-160323-9	6	0.3-0.6	1.3-2.0	1.3-2.0	0.50	0.25 BRASS	TIN	3.7	14.0	0.8	0-042068-1 Y
6-160316-0	6-160323-0	6	0.3-0.6	1.3-2.0	1.3-2.0	0.50	0.25 BRASS	PRETIN	3.7	14.0	0.8	0-042068-1 Y
0-160354-1	0-160355-1	6	0.3-0.6	1.3-2.0	1.3-2.0	0.30	0.25 BRASS	TIN	3.7	14.0	0.7	0-060415-1 N
0-160354-2	0-160355-2	6	0.3-0.6	1.3-2.0	1.3-2.0	0.30	0.25 BRASS	SILVER	3.7	14.0	0.7	0-060415-1 N
0-160354-3	0-160355-3	6	0.3-0.6	1.3-2.0	1.3-2.0	0.30	0.25 BRASS	GOLD	3.7	14.0	0.7	0-060415-1 N
0-160354-4	0-160355-4	6	0.3-0.6	1.3-2.0	1.3-2.0	0.30	0.25 BRASS	TIN	3.7	14.0	0.7	0-060415-1 N
5-160354-1	5-160355-1	6	0.3-0.6	1.3-2.0	1.3-2.0	0.30	0.25 BRASS	SILVER	3.7	14.0	0.7	0-060415-1 N
5-160354-2	5-160355-2	6	0.3-0.6	1.3-2.0	1.3-2.0	0.30	0.25 BRASS	GOLD	3.7	14.0	0.7	0-060415-1 N
5-160354-3	5-160355-3	6	0.3-0.6	1.3-2.0	1.3-2.0	0.30	0.25 BRASS	TIN	3.7	14.0	0.7	0-060415-1 N
5-160354-4	5-160355-4	6	0.3-0.6	1.3-2.0	1.3-2.0	0.30	0.25 BRASS	GOLD	3.7	14.0	0.7	0-060415-1 N

NOTE 1=LOOSE PIECE WIRE BARREL PRE CRIMPED  
 NOTE 2=LOOSE PIECE WIRE AND INSULATION BARREL PRE CRIMPED  
 NOTE 3=SPLICE FREE REELED  
 NOTE 4=WITH CHAMFER AROUND FRONT OF RECEPTACLE

File <sup>E</sup>66717 Vol. 4 Sec. 1  
and Report

III. 5 Iss. 5-9-84

\*\*\* RECEPTACLE 110 SERIES FASTON \*\*\*

DATE: 04/29/83	FIG. N O. D.	R A N G E	T A B	M A T E R I A L	D I M E N S I O N S	N E A R E S T
C A T A L O G	LOOSE PIECE	W I R E	THK.	FINISH	W L E	US EQUIVALENT
STRIP		INSUL.				PART NUMBER
						UL OR NOTES
0-160415-1	0-160468-1	6 0.5-1.0 2.0-3.1	0.40	0.25 BRASS	3.7 14.0 6.3 0.8	0-060118-1 N
0-160415-2	0-160468-2	6 0.5-1.0 2.0-3.1	0.40	0.25 BRASS	3.7 14.0 6.3 0.8	
0-160415-3	0-160468-3	6 0.5-1.0 2.0-3.1	0.40	0.25 BRASS	3.7 14.0 6.3 0.8	
0-160415-4	0-160468-4	6 0.5-1.0 2.0-3.1	0.40	0.25 BRASS	3.7 14.0 6.3 0.8	
0-160415-5	0-160468-5	6 0.5-1.0 2.0-3.1	0.40	0.25 BRASS	3.7 14.0 6.3 0.8	
0-160424-1	0-160624-1	6 0.5-1.0 2.0-3.1	0.30	0.25 BRASS	3.7 14.0 6.3 0.8	
0-160424-2	0-160624-2	6 0.5-1.0 2.0-3.1	0.30	0.25 BRASS	3.7 14.0 6.3 0.8	
0-160424-3	0-160624-3	6 0.5-1.0 2.0-3.1	0.30	0.25 BRASS	3.7 14.0 6.3 0.8	
0-160484-1	0-160539-1	6 0.5-1.0 2.0-3.1	0.50	0.25 BRASS	3.7 14.0 6.3 0.8	0-061408-1 Y
0-160484-2	0-160539-2	6 0.5-1.0 2.0-3.1	0.50	0.25 BRASS	3.7 14.0 6.3 0.8	
0-160484-3	0-160539-3	6 0.5-1.0 2.0-3.1	0.50	0.25 BRASS	3.7 14.0 6.3 0.8	0-061408-1 Y 3
0-160484-4	0-160539-4	6 0.5-1.0 2.0-3.1	0.50	0.25 BRASS	3.7 14.0 6.3 0.8	
0-160484-5	0-160539-5	6 0.5-1.0 2.0-3.1	0.50	0.25 BRASS	3.7 14.0 6.3 0.8	
0-160484-6	0-160539-6	6 0.5-1.0 2.0-3.1	0.50	0.25 BRASS	3.7 14.0 6.3 0.8	
0-160484-7	0-160539-7	6 0.5-1.0 2.0-3.1	0.50	0.25 BRASS	3.7 14.0 6.3 0.8	
0-160528-1	0-160626-1	6 0.5-1.1 2.0-3.6	0.50	0.25 BRASS	3.7 14.0 6.3 0.7	0-061408-0 Y
0-160528-2	0-160626-2	6 0.5-1.1 2.0-3.6	0.50	0.25 BRASS	3.7 14.0 6.3 0.7	
0-160528-3	0-160626-3	6 0.5-1.1 2.0-3.6	0.50	0.25 BRASS	3.7 14.0 6.3 0.7	
0-160528-4	0-160626-4	6 0.5-1.1 2.0-3.6	0.50	0.25 BRASS	3.7 14.0 6.3 0.7	
0-160533-1	0-160625-1	6 0.5-1.0 2.0-3.1	0.50	0.25 BRASS	3.7 14.0 6.3 0.8	0-061408-1 Y
0-160533-2	0-160625-2	6 0.5-1.0 2.0-3.1	0.50	0.25 BRASS	3.7 14.0 6.3 0.8	
0-160533-3	0-160625-3	6 0.5-1.0 2.0-3.1	0.50	0.25 BRASS	3.7 14.0 6.3 0.8	
0-160533-4	0-160625-4	6 0.5-1.0 2.0-3.1	0.50	0.25 BRASS	3.7 14.0 6.3 0.8	
0-160533-9	0-160625-9	6 0.5-1.0 2.0-3.1	0.50	0.25 BRASS	3.7 14.0 6.3 0.8	
0-160534-1	0-160626-1	6 0.5-1.0 2.0-3.1	0.80	0.25 BRASS	3.7 14.0 6.3 0.8	0-062426-1 Y
0-160534-2	0-160626-2	6 0.5-1.0 2.0-3.1	0.80	0.25 BRASS	3.7 14.0 6.3 0.8	0-062426-1 Y
0-160534-3	0-160626-3	6 0.5-1.0 2.0-3.1	0.80	0.25 BRASS	3.7 14.0 6.3 0.8	
0-160534-4	0-160626-4	6 0.5-1.0 2.0-3.1	0.80	0.25 BRASS	3.7 14.0 6.3 0.8	0-062426-1 Y 3
0-160534-5	0-160626-5	6 0.5-1.0 2.0-3.1	0.80	0.25 BRASS	3.7 14.0 6.3 0.8	0-062426-1 Y 3
0-160534-6	0-160626-6	6 0.5-1.0 2.0-3.1	0.80	0.25 BRASS	3.7 14.0 6.3 0.8	0-062426-1 Y 3
0-160534-7	0-160626-7	6 0.5-1.0 2.0-3.1	0.80	0.25 BRASS	3.7 14.0 6.3 0.8	
0-160534-8	0-160626-8	6 0.5-1.0 2.0-3.1	0.80	0.25 BRASS	3.7 14.0 6.3 0.8	
0-160534-9	0-160626-9	6 0.5-1.0 2.0-3.1	0.80	0.25 BRASS	3.7 14.0 6.3 0.8	
0-160555-1	0-160556-1	6 0.5-1.0 2.0-3.1	0.80	0.25 BRASS	3.7 14.0 6.3 0.8	0-062426-1 Y
0-160555-2	0-160556-2	6 0.5-1.0 2.0-3.1	0.80	0.25 BRASS	3.7 14.0 6.3 0.8	0-062426-1 Y
0-160555-3	0-160556-3	6 0.5-1.0 2.0-3.1	0.80	0.25 BRASS	3.7 14.0 6.3 0.8	
0-160555-4	0-160556-4	6 0.5-1.0 2.0-3.1	0.80	0.25 BRASS	3.7 14.0 6.3 0.8	
0-160555-5	0-160556-5	6 0.5-1.0 2.0-3.1	0.80	0.25 BRASS	3.7 14.0 6.3 0.8	0-062426-1 Y
0-160555-6	0-160556-6	6 0.5-1.0 2.0-3.1	0.80	0.25 BRASS	3.7 14.0 6.3 0.8	0-062426-1 Y 3

NOTE 1=LOOSE PIECE WIRE BARREL PRE CRIMPED  
 NOTE 2=LOOSE PIECE WIRE AND INSULATION BARREL PRE CRIMPED  
 NOTE 3=SPLICE FREE REELED  
 NOTE 4=WITH CHAMFER AROUND FRONT OF RECEPTACLE

Mod-67035

File E66717 Vol. 4 Sec. 1 and Report

Fig. 6 Iss. 5-9-84

\*\*\* RECEPTACLE 110 SERIES FASTON \*\*\*

DATE: 04/29/83  
 CATALOG NO. LOOSE PIECE  
 FIG. WIRE  
 R A N G E  
 INSUL.

TAB THK. M A T E R I A L  
 TYPE FINISH

D I M E N S I O N S  
 W L

U S E Q U I V A L E N T  
 P A R T N U M B E R U L

R E M A R K S  
 O R N O T E S

DATE: 04/29/83	CATALOG NO. LOOSE PIECE	FIG. WIRE	R A N G E INSUL.	TAB THK. M A T E R I A L TYPE FINISH	D I M E N S I O N S W L	U S E Q U I V A L E N T P A R T N U M B E R U L	R E M A R K S O R N O T E S
0-160555-7	0-160556-2	6	0.5-1.0	2.0-3.1	0.80 0.25 BRASS	0-062050-1	Y 3
0-160555-8	0-160556-4	6	0.5-1.0	2.0-3.1	0.80 0.25 BRONZE		3
0-160555-9		6	0.5-1.0	2.0-3.1	0.80 0.25 BRONZE	0-062426-1	Y 4
5-160555-1	5-160556-1	6	0.5-1.0	2.0-3.1	0.80 0.25 BRASS	0-062050-1	Y 4
5-160555-2	5-160556-3	6	0.5-1.0	2.0-3.1	0.80 0.25 BRASS		4
5-160555-3	5-160556-4	6	0.5-1.0	2.0-3.1	0.80 0.25 BRONZE	0-062050-1	Y 4
5-160555-4	5-160556-4	6	0.5-1.0	2.0-3.1	0.80 0.25 BRASS		4
5-160555-5		6	0.5-1.0	2.0-3.1	0.80 0.25 BRASS	0-062426-1	Y 384
5-160555-6	5-160556-1	6	0.5-1.0	2.0-3.1	0.80 0.25 BRASS	0-062050-1	Y 384
5-160555-7	5-160556-2	6	0.5-1.0	2.0-3.1	0.80 0.25 BRASS	0-062426-1	Y 384
5-160555-8	5-160556-4	6	0.5-1.0	2.0-3.1	0.80 0.25 BRONZE	0-062050-1	Y 4
5-160555-9		6	0.5-1.0	2.0-3.1	0.80 0.25 BRONZE		4
0-160597-1	0-160628-1	6	0.05-0.15	0.8-1.3	0.50 0.25 BRASS	0-062585-1	N
0-160597-2	0-160628-2	6	0.05-0.15	0.8-1.3	0.50 0.25 BRASS		N
0-160597-3	0-160628-3	6	0.05-0.15	0.8-1.3	0.50 0.25 BRASS	0-062585-1	N 3
0-160597-4	0-160628-2	6	0.05-0.15	0.8-1.3	0.50 0.25 BRASS		N
0-160600-1	0-160601-1	6	0.05-0.15	0.8-1.3	0.40 0.25 BRASS	0-042847-1	N
0-160600-2	0-160601-2	6	0.05-0.15	0.8-1.3	0.40 0.25 BRASS	0-0622585-1	N
0-160600-3	0-160601-3	6	0.05-0.15	0.8-1.3	0.40 0.25 BRASS		N
0-160615-1		6	0.1-0.35	1.0-2.0	0.80 0.25 BRASS		N
0-160615-2		6	0.1-0.35	1.0-2.0	0.80 0.25 BRASS		N
5-160615-1		6	0.1-0.35	1.0-2.0	0.80 0.25 BRASS	0-060230-1	N 4
5-160615-2		6	0.1-0.35	1.0-2.0	0.80 0.25 BRASS	0-060230-1	N 4
0-160666-1		6	0.1-0.35	0.9-1.7	0.50 0.25 BRONZE		N
0-160666-2		6	0.1-0.35	0.9-1.7	0.50 0.25 BRONZE		N
0-160666-3		6	0.1-0.35	0.9-1.7	0.50 0.25 BRASS		N
0-160666-4		6	0.1-0.35	0.9-1.7	0.50 0.25 BRASS		N
0-160666-5		6	0.1-0.35	0.9-1.7	0.50 0.25 BRASS		N
0-160718-1		6	0.5-1.0	2.0-3.6	0.50 0.25 BRASS	0-061400-1	Y
0-160718-2		6	0.5-1.0	2.0-3.6	0.50 0.25 BRASS		Y
0-160718-3		6	0.5-1.0	2.0-3.6	0.50 0.25 BRASS	0-061400-1	Y 3
0-160718-4		6	0.5-1.0	2.0-3.6	0.50 0.25 BRASS		Y
0-160718-5		6	0.5-1.0	2.0-3.6	0.50 0.25 BRASS		Y
0-160737-1		6	0.05-0.15	0.8-1.3	0.80 0.25 BRASS	0-062426-1	N
0-160737-2		6	0.05-0.15	0.8-1.3	0.80 0.25 BRASS		N
0-160747-1	0-160768-1	7	0.1-0.2	0.8-1.3	0.50 0.25 BRASS		3
0-160747-2	0-160768-2	7	0.1-0.2	0.8-1.3	0.50 0.25 BRASS		3

NOTE 1=LOOSE PIECE WIRE BARREL PRE CRIMPED  
 NOTE 2=LOOSE PIECE WIRE AND INSULATION BARREL PRE CRIMPED  
 NOTE 3=SPICE FREE REELED  
 NOTE 4=WITH CHAMFER AROUND FRONT OF RECEPTACLE

mcc 67636



File E66717 Vol. 4 Sec. 1  
and Report

III. 8 Iss. 5-9-84

\*\*\* RECEPTACLE 187 SERIES FASTON \*\*\*

DATE: 04/29/83  
C A T A L O G N O .  
STRIP LOOSE PIECE

FIG. WIRE R A N C E  
INSUL.

TAB THK. TYPE FINISH

D I M E N S I O N S  
W L E

N E A R E S T  
US EQUIVALENT  
PARTNUMBER UL

R E M A R K S  
O R N O T E S

FIG.	WIRE	R A N C E	INSUL.	TAB	THK.	TYPE	FINISH	W	L	E	US EQUIVALENT	REMARKS
4	0.5-1.4	2.8-4.3	0.50	0.32	STEEL	NICKEL		5.6	12.1	6.4	1.5	
5	0.5-1.4	2.8-4.3	0.50	0.32	BRONZE			5.6	13.5	6.4	1.0	0-042486-1 Y 3
5	0.5-1.4	2.8-4.3	0.50	0.32	BRONZE	TIN		5.6	13.5	6.4	1.0	
5	0.5-1.4	2.8-4.3	0.80	0.32	BRONZE	TIN		5.6	13.5	6.4	1.0	0-062591-1 Y 3
5	0.5-1.4	2.8-4.3	0.80	0.32	BRONZE	TIN		5.6	13.5	6.4	1.0	
5	0.5-1.4	2.8-4.3	0.80	0.32	BRASS	TIN		5.6	13.5	6.4	1.0	0-062591-1 Y 3
5	0.5-1.4	2.8-4.3	0.80	0.32	BRASS	TIN		5.6	13.5	6.4	1.0	
1	1.0-2.5	3.0-4.3	0.80	0.32	BRASS	TIN		5.6	15.0	6.4	1.1	
1	1.0-2.5	3.0-4.3	0.80	0.32	BRASS	NICKEL		5.6	15.0	6.4	1.1	0-061945-1 Y 3
1	1.0-2.5	3.0-4.3	0.80	0.32	STEEL			5.6	15.0	6.4	1.1	
1	1.0-2.5	3.0-4.3	0.80	0.32	BRONZE	TIN		5.6	15.0	6.4	1.1	
1	1.0-2.5	3.0-4.3	0.80	0.32	BRONZE	TIN		5.6	15.0	6.4	1.1	
1	1.0-2.5	3.0-4.3	0.80	0.32	STEEL	SILVER		5.6	15.0	6.4	1.1	
1	1.0-2.5	3.0-4.3	0.80	0.32	BRASS	PRETIN		5.6	15.0	6.4	1.1	
1	1.0-2.5	3.0-4.3	0.80	0.32	BRONZE			5.6	15.0	6.4	1.1	
1	1.0-2.5	3.0-4.3	0.80	0.32	DRASS	TIN		5.6	15.0	6.4	1.1	
1	1.0-2.5	3.0-4.3	0.80	0.32	BRASS	NICKEL		5.6	15.0	6.4	1.1	
1	1.0-2.5	3.0-4.3	0.80	0.32	BRONZE	TIN		5.6	15.0	6.4	1.1	
1	1.0-2.5	3.0-4.3	0.80	0.32	BRONZE	TIN		5.6	15.0	6.4	1.1	
1	1.0-2.5	3.0-4.3	0.80	0.32	STEEL	SILVER		5.6	15.0	6.4	1.1	
1	1.0-2.5	3.0-4.3	0.80	0.32	BRASS	PRETIN		5.6	15.0	6.4	1.1	
1	1.0-2.5	3.0-4.3	0.80	0.32	BRONZE			5.6	15.0	6.4	1.1	
1	0.5-1.5	2.3-3.3	0.80	0.32	BRASS	TIN		5.6	15.0	6.4	1.1	0-061758-1 Y
1	0.5-1.5	2.3-3.3	0.80	0.32	BRASS	NICKEL		5.6	15.0	6.4	1.1	
1	0.5-1.5	2.3-3.3	0.80	0.32	STEEL			5.6	15.0	6.4	1.1	
1	0.5-1.5	2.3-3.3	0.80	0.32	BRONZE	TIN		5.6	15.0	6.4	1.1	
1	0.5-1.5	2.3-3.3	0.80	0.32	BRONZE	TIN		5.6	15.0	6.4	1.1	
1	0.5-1.5	2.3-3.3	0.80	0.32	BRONZE	TIN		5.6	15.0	6.4	1.1	
1	0.5-1.5	2.3-3.3	0.80	0.32	BRASS	TIN		5.6	15.0	6.4	1.1	
1	0.5-1.5	2.3-3.3	0.80	0.32	BRASS	TIN		5.6	15.0	6.4	1.1	
1	0.5-1.5	2.3-3.3	0.80	0.32	STEEL	NICKEL		5.6	15.0	6.4	1.1	
1	0.5-1.5	2.3-3.3	0.80	0.32	STEEL	TIN		5.6	15.0	6.4	1.1	
1	0.5-1.5	2.3-3.3	0.80	0.32	BRONZE	TIN		5.6	15.0	6.4	1.1	
1	0.5-1.5	2.3-3.3	0.80	0.32	BRASS	TIN		5.6	15.0	6.4	1.1	
1	0.5-1.5	2.3-3.3	0.80	0.32	BRASS	TIN		5.6	15.0	6.4	1.1	
1	0.5-1.5	2.3-3.3	0.80	0.32	BRASS	GOLD		5.6	15.0	6.4	1.1	
1	0.5-1.5	2.3-3.3	0.80	0.32	BRASS	SILVER		5.6	15.0	6.4	1.1	0-061758-1 Y 3
1	0.5-1.5	2.3-3.3	0.80	0.32	BRASS	SILVER		5.6	15.0	6.4	1.1	
1	0.5-1.5	2.3-3.3	0.80	0.32	BRONZE	SILVER		5.6	15.0	6.4	1.1	
1	0.5-1.5	2.3-3.3	0.80	0.32	BRASS	SILVER		5.6	15.0	6.4	1.1	
1	0.5-1.5	2.3-3.3	0.80	0.32	BRASS	SILVER		5.6	15.0	6.4	1.1	

NOTE 1-LOOSE PIECE WIRE BARREL PRE CRIMPED  
NOTE 2-LOOSE PIECE WIRE AND INSULATION BARREL PRE CRIMPED  
NOTE 3-SPLICE FREE REELED  
NOTE 4-WITH CHAMFER AROUND FRONT OF RECEPTACLE

M 00 67588

File E66717 Vol. 4 Sec. 1 and Report III. 9 Iss. 5-9-84

\*\*\* RECEPTACLE 187 SERIES FASTON \*\*\*

DATE: 04/29/83	C A T A L O G N O .	FIG.	R A N G E	T A B	M A T E R I A L	D I M E N S I O N S	N E A R E S T	R E M A R K S
STRIP	LOOSE PIECE		WIRE	THK. TYPE	FINISH	W L E	US EQUIVALENT	O R N O T E S
5-160430-2		1	0.5-1.5	0.80	TIN	5.6 15.0	0-061758-1	4
5-160430-4		1	0.5-1.5	0.80	NICKEL	5.6 15.0		4
5-160430-5		1	0.5-1.5	0.80	BRASS	5.6 15.0		4
5-160430-6		1	0.5-1.5	0.80	STEEL	5.6 15.0		4
5-160430-7		1	0.5-1.5	0.80	BRONZE	5.6 15.0		4
5-160430-8		1	0.5-1.5	0.80	BRONZE	5.6 15.0		3&4
5-160430-9		1	0.5-1.5	0.80	BRASS	5.6 15.0		4
6-160430-0		1	0.5-1.5	0.80	STEEL	5.6 15.0		4
6-160430-1		1	0.5-1.5	0.80	STEEL	5.6 15.0		4
6-160430-2		1	0.5-1.5	0.80	BRONZE	5.6 15.0		4
6-160430-3		1	0.5-1.5	0.80	BRONZE	5.6 15.0		4
6-160430-4		1	0.5-1.5	0.80	STEEL	5.6 15.0		3&4
6-160430-5		1	0.5-1.5	0.80	STEEL	5.6 15.0		4
6-160430-6		1	0.5-1.5	0.80	GOLD	5.6 15.0		4
6-160430-7		1	0.5-1.5	0.80	BRASS	5.6 15.0		4
6-160430-8		1	0.5-1.5	0.80	BRASS	5.6 15.0		4
6-160430-9		1	0.5-1.5	0.80	SILVER	5.6 15.0		4
7-160430-0		1	0.5-1.5	0.80	SILVER	5.6 15.0		4
7-160430-1		1	0.5-1.5	0.80	TIN	5.6 15.0		4
7-160430-2		1	0.5-1.5	0.80	TIN	5.6 15.0		4
7-160430-3		1	0.5-1.5	0.80	TIN	5.6 15.0		4
7-160430-4		1	0.5-1.5	0.80	TIN	5.6 15.0		4
7-160430-5		1	0.5-1.5	0.80	TIN	5.6 15.0		4
7-160430-6		1	0.5-1.5	0.80	TIN	5.6 15.0		4
0-160492-1		1	1.0-2.5	0.50	BRASS	5.6 15.0	0-060487-1	Y
0-160492-2		1	1.0-2.5	0.50	BRASS	5.6 15.0	0-060487-2	Y
0-160493-1		1	1.0-2.5	0.50	STEEL	5.6 15.0		4
0-160493-2		1	1.0-2.5	0.50	STEEL	5.6 15.0		4
0-160493-3		1	1.0-2.5	0.50	BRASS	5.6 15.0		4
0-160493-4		1	1.0-2.5	0.50	BRASS	5.6 15.0		4
0-160493-5		1	1.0-2.5	0.50	BRASS	5.6 15.0		4
0-160493-6		1	1.0-2.5	0.50	BRASS	5.6 15.0		4
0-160493-7		1	1.0-2.5	0.50	BRASS	5.6 15.0		4
0-160493-8		1	1.0-2.5	0.50	BRASS	5.6 15.0		4
0-160493-9		1	1.0-2.5	0.50	BRASS	5.6 15.0		4
0-160493-0		1	1.0-2.5	0.50	BRASS	5.6 15.0		4
0-160493-1		1	0.5-1.5	0.50	BRASS	5.6 15.0	0-042452-1	Y
0-160493-2		1	0.5-1.5	0.50	BRASS	5.6 15.0	0-042452-2	Y
0-160493-3		1	0.5-1.5	0.50	STEEL	5.6 15.0		4
0-160493-4		1	0.5-1.5	0.50	STEEL	5.6 15.0		4
0-160493-5		1	0.5-1.5	0.50	BRASS	5.6 15.0		3
0-160493-6		1	0.5-1.5	0.50	BRASS	5.6 15.0		4
0-160493-7		1	0.5-1.5	0.50	BRASS	5.6 15.0		4
0-160493-8		1	0.5-1.5	0.50	BRASS	5.6 15.0		4
0-160493-9		1	0.5-1.5	0.50	BRASS	5.6 15.0		4
0-160493-0		1	0.5-1.5	0.50	BRASS	5.6 15.0		4
0-160493-1		1	0.5-1.5	0.50	STEEL	5.6 15.0		4
0-160493-2		1	0.5-1.5	0.50	STEEL	5.6 15.0		4
0-160493-3		1	0.5-1.5	0.50	BRASS	5.6 15.0		4
0-160493-4		1	0.5-1.5	0.50	BRASS	5.6 15.0		4
0-160493-5		1	0.5-1.5	0.50	BRASS	5.6 15.0		4
0-160493-6		1	0.5-1.5	0.50	BRASS	5.6 15.0		4
0-160493-7		1	0.5-1.5	0.50	BRASS	5.6 15.0		4
0-160493-8		1	0.5-1.5	0.50	BRASS	5.6 15.0		4
0-160493-9		1	0.5-1.5	0.50	BRASS	5.6 15.0		4
0-160493-0		1	0.5-1.5	0.50	BRASS	5.6 15.0		4

NOTE 1-LOOSE PIECE WIRE BARREL PRE CRIMPED  
 NOTE 2-LOOSE PIECE WIRE AND INSULATION BARREL PRE CRIMPED  
 NOTE 3-SPLICE FREE REELED  
 NOTE 4-WITH CHAMFER AROUND FRONT OF RECEPTACLE

File **E66717** Vol. **4** Sec. **1**  
and Report

III. **10** Iss. **5-9-84**

- 3 -

\*\*\* RECEPTACLE 187 SERIES FASTON \*\*\*

DATE: 04/29/83  
C A T A L O G N O .  
STRIP LOOSE PIECE

FIG. WIRE RANGE INSUL. TAB M A T E R I A L DIMENSIONS

THK. TYPE FINISH W L E

US EQUIVALENT PARTNUMBER UL

REMARKS OR NOTES

FIG.	WIRE	RANGE	INSUL.	TAB	MATERIAL	THK.	TYPE	FINISH	W	L	E	US EQUIVALENT PARTNUMBER UL	REMARKS OR NOTES
6-160433-1	0.5-1.5	2.3-3.3		0.50	BRASS	0.40		TIN	5.6	15.0	6.4	0-042452-2	Y 3&4
6-160433-2	0.5-1.5	2.3-3.3		0.50	STEEL	0.40		NICKEL	5.6	15.0	6.4		3&4
0-160713-1	0.5-1.5	2.3-3.3		0.40	BRASS	0.32			5.6	15.0	6.4	0-042617-1	Y
0-160713-2	0.5-1.5	2.3-3.3		0.40	BRASS	0.32		TIN	5.6	15.0	6.4	0-042617-2	Y
5-160713-1	0.5-1.5	2.3-3.3		0.40	BRASS	0.32			5.6	15.0	6.4	0-042617-1	Y 4
5-160713-2	0.5-1.5	2.3-3.3		0.40	BRASS	0.32		TIN	5.6	15.0	6.4	0-042617-2	Y 4
0-160726-1	0.5-1.5	2.3-3.3		0.80	BRASS	0.32			5.6	15.0	6.4	0-060196-1	Y
0-160726-2	0.5-1.5	2.3-3.3		0.80	BRASS	0.32		TIN	5.6	15.0	6.4	0-060196-2	Y
0-160726-3	0.5-1.5	2.3-3.3		0.80	BRASS	0.32			5.6	15.0	6.4	0-060196-1	Y
0-160726-4	0.5-1.5	2.3-3.3		0.80	BRASS	0.32		TIN	5.6	15.0	6.4	0-060196-2	Y
5-160726-1	0.5-1.5	2.3-3.3		0.80	BRASS	0.32			5.6	15.0	6.4	0-060196-1	Y 4
5-160726-2	0.5-1.5	2.3-3.3		0.80	BRASS	0.32		TIN	5.6	15.0	6.4	0-060196-2	Y 4
5-160726-3	0.5-1.5	2.3-3.3		0.80	BRASS	0.32			5.6	15.0	6.4	0-060196-1	Y 4
5-160726-4	0.5-1.5	2.3-3.3		0.80	BRASS	0.32		TIN	5.6	15.0	6.4	0-060196-2	Y 4
0-160778-1	0.2-0.6	2.3-3.3		0.50	BRASS	0.32			5.6	15.0	6.4		3
0-160778-2	0.2-0.6	2.3-3.3		0.50	BRASS	0.32		TIN	5.6	15.0	6.4		3
0-160778-3	0.2-0.6	2.3-3.3		0.50	BRASS	0.32			5.6	15.0	6.4		3
0-160778-4	0.2-0.6	2.3-3.3		0.50	BRASS	0.32		TIN	5.6	15.0	6.4		3
0-160782-1	0.5-1.5	2.3-3.3		1.00	STEEL	0.32		NICKEL	5.6	15.0	6.4		3
0-160782-2	0.5-1.5	2.3-3.3		1.00	STEEL	0.32		NICKEL	5.6	15.0	6.4		4
0-160782-3	0.5-1.5	2.3-3.3		1.00	BRONZE	0.32			5.6	15.0	6.4		4
0-160782-4	0.5-1.5	2.3-3.3		1.00	BRONZE	0.32		TIN	5.6	15.0	6.4		3&4
0-160782-5	0.5-1.5	2.3-3.3		1.00	BRONZE	0.32			5.6	15.0	6.4		3&4

NOTE 1-LOOSE PIECE WIRE BARREL PRE CRIMPED  
NOTE 2-LOOSE PIECE WIRE AND INSULATION BARREL PRE CRIMPED  
NOTE 3-SPLICE FREE REELED  
NOTE 4-WITH CHAMFER AROUND FRONT OF RECEPTACLE

100-80-55

File E66717 Vol. 4 Sec. 1 and Report

III. 11 Iss. 5-9-84

\*\*\* RECEPTACLE 250 SERIES FASTON \*\*\*

DATE	FIG.	RANGE	TAD	MATERIAL	DIMENSIONS	NEAREST	REMARKS
04/29/83	LOOSE PIECE	WIRE	THK.	FINISH	W L E	US EQUIVALENT	OR NOTES
0-041449-0	1	2.1-5.3	0.80	0.45 BRASS	7.6 19.7 7.7	0-041449-0	Y 2
0-041449-1	1	2.1-5.3	0.80	0.45 BRASS	7.6 19.7 7.7	0-041449-1	N 2&4
0-041449-2	1	2.1-5.3	0.80	0.45 BRASS	7.6 19.7 7.7	0-041449-2	N 4
0-041449-3	1	2.1-5.3	0.80	0.45 BRASS	7.6 19.7 7.7	0-041449-3	N 4
0-041450-0	1	2.1-5.3	0.80	0.45 BRASS	7.6 19.7 7.7	0-041450-0	Y 2
0-041450-1	1	2.1-5.3	0.80	0.45 BRASS	7.6 19.7 7.7	0-041450-1	N 2&4
0-041450-2	1	2.1-5.3	0.80	0.45 BRASS	7.6 19.7 7.7	0-041450-2	N 4
0-041531-0	5	0.8-3.4	0.80	0.45 BRASS	7.6 17.0 7.7	0-041531-0	Y 3
0-041532-0	5	0.8-3.4	0.80	0.45 BRASS	7.6 17.0 7.7	0-041532-0	Y
0-041679-0	1	2.1-5.3	0.80	0.45 BRASS	7.6 19.7 7.8	0-041679-0	Y 2
0-041679-1	1	2.1-5.3	0.80	0.45 BRASS	7.6 19.7 7.8	0-041679-1	N 2&4
0-041771-0	1	0.3-0.8	0.80	0.41 BRASS	7.6 19.2 7.7	0-041771-0	Y 1
0-041771-1	1	0.3-0.8	0.80	0.41 BRASS	7.6 19.2 7.7	0-041771-1	N 1&4
0-041772-0	1	0.3-0.8	0.80	0.41 BRASS	7.6 19.2 7.7	0-041772-0	Y 1
0-041772-1	1	0.3-0.8	0.80	0.41 BRASS	7.6 19.2 7.7	0-041772-1	N 1&4
0-041799-0	5	0.8-3.4	0.80	0.45 BRASS	8.1 17.0 7.7	0-041799-0	Y 3
0-041800-0	5	0.8-3.4	0.80	0.45 BRASS	8.1 17.0 7.7	0-041800-0	Y 2&3
0-041801-0	5	0.8-3.4	0.80	0.45 BRASS	8.1 17.0 7.7	0-041801-0	Y 2&3
0-041802-0	5	0.8-3.4	0.80	0.45 BRASS	8.1 17.0 7.7	0-041802-0	Y 2&3

NOTE 1=LOOSE PIECE WIRE BARREL PRE CRIMPED  
 NOTE 2=LOOSE PIECE WIRE AND INSULATION BARREL PRE CRIMPED  
 NOTE 3=SPLICE FREE REELED  
 NOTE 4=WITH CHAMFER AROUND FRONT OF RECEPTACLE



File E66717 Vol.4 Sec.1 and Report

III. 12 Iss. 5-9-84

\*\*\* RECEPTACLE 250 SERIES FASTON \*\*\*

DATE: 04/29/83	FIG. NO.	RANGE	MATERIAL	DIMENSIONS	NEAREST	REMARKS				
CATALOC	LOOSE PIECE	WIRE	THK. TYPE FINISH	W L E	US EQUIVALENT	OR NOTES				
STRIP		INSUL.			PARTNUMBER	UL				
0-042041-0	0-042232-4	5 0.8-3.4	2.8-5.3	0.80 0.45	BRONZE SILVER	8.1 17.0	7.7 3.1	0-042041-0	Y	2&3
0-042144-1		5 0.8-3.4	2.8-5.3	0.80 0.45	BRASS SILVER	7.6 17.0	7.7 1.7	0-042144-1	Y	3
0-042219-1	0-042468-1	1 0.8-2.1	3.1-4.3	0.80 0.41	STEEL NICKEL	7.5 19.2	7.7 1.7	0-042219-1	N	1&4
	0-042892-1									4
	0-060705-1									2&4
0-042286-1	0-042370-1	1 0.3-0.8	2.3-3.3	0.80 0.41	BRASS SILVER	7.6 19.2	7.8 2.3	0-042286-1	Y	1
	0-060130-2									2
0-042286-3	0-060130-3	1 0.3-0.8	2.3-3.3	0.80 0.41	BRONZE SILVER	7.6 19.2	7.8 2.3	0-042286-3	Y	2
0-042404-1	0-060453-1	5 0.8-3.4	2.8-5.3	0.80 0.41	STEEL NICKEL	7.6 17.0	7.7 1.7			
0-042402-1		5 0.8-3.4	2.8-5.3	0.80 0.45	BRASS TIN	7.6 17.0	7.7 1.7	0-042402-1	Y	3
0-042482-2		5 0.8-3.4	2.8-5.3	0.80 0.45	BRASS TIN	7.6 17.0	7.7 1.7	0-042482-2	Y	3
0-042563-1	0-060583-2	5 3.1-4.9	2.8-5.3	0.80 0.45	BRASS TIN	8.1 17.0	7.7 3.1	0-042563-1	Y	2
	0-060583-4									
0-042563-3	0-062583-3	5 3.1-4.9	2.8-5.3	0.80 0.45	BRASS SILVER	8.1 17.0	7.7 3.1	0-042563-3	Y	2
0-042563-4		5 3.1-4.9	2.8-5.3	0.80 0.45	BRONZE TIN	8.1 17.0	7.7 3.1	0-042563-4	Y	
0-042563-5		5 3.1-4.9	2.8-5.3	0.80 0.45	BRONZE TIN	8.1 17.0	7.7 3.1	0-042563-5	Y	
0-042563-7		5 3.1-4.9	2.8-5.3	0.80 0.45	BRONZE SILVER	8.1 17.0	7.7 3.1	0-042563-7	Y	
0-140760-1	0-140794-1	1 0.3-0.8	2.3-3.3	0.80 0.41	BRONZE TIN	7.6 19.2	7.7 2.3	0-041771-0	Y	1&4
0-140760-2	0-140794-2	1 0.3-0.8	2.3-3.3	0.80 0.41	BRONZE TIN	7.6 19.2	7.7 2.3	0-041772-0	Y	1&4
0-140760-3	0-140794-3	1 0.3-0.8	2.3-3.3	0.80 0.41	BRONZE SILVER	7.6 19.2	7.7 2.3	0-042286-1	Y	1&3&4
0-140760-4	0-140794-4	1 0.3-0.8	2.3-3.3	0.80 0.41	BRONZE SILVER	7.6 19.2	7.7 2.3	0-041771-0	Y	4
0-151321-1		8 0.8-2.1	3.0-4.3	0.80 0.41	BRASS TIN	7.6 14.7	7.6 2.3	0-061944-1	Y	
0-151321-2		8 0.8-2.1	3.0-4.3	0.80 0.41	BRASS TIN	7.6 14.7	7.6 2.3	0-061944-2	Y	
0-160256-1	0-160304-1	1 1.0-2.5	3.0-4.3	0.80 0.45	BRASS TIN	7.6 19.2	7.7 1.7	0-041202-0	Y	2
	0-160385-1									
0-160256-2	0-160304-2	1 1.0-2.5	3.0-4.3	0.80 0.45	BRASS TIN	7.6 19.2	7.7 1.7	0-041274-0	Y	2
	0-160385-2									
0-160256-3	0-160304-3	1 1.0-2.5	3.0-4.3	0.80 0.45	BRASS SILVER	7.6 19.2	7.7 1.7	0-041678-0	Y	2
	0-160385-3									
0-160256-5	0-160304-5	1 1.0-2.5	3.0-4.3	0.80 0.41	STEEL NICKEL	7.6 19.2	7.7 1.7	0-042219-1	N	2
	0-160385-5									
0-160256-6	0-160304-6	1 1.0-2.5	3.0-4.3	0.80 0.41	STEEL TIN	7.6 19.2	7.7 1.7			2

NOTE 1-LOOSE PIECE WIRE BARREL PRE CRIMPED  
 NOTE 2-LOOSE PIECE WIRE AND INSULATION BARREL PRE CRIMPED  
 NOTE 3-SPLICE FREE REELED  
 NOTE 4-WITH CLAMPERS AROUND FRONT OF RECEPTACLE

File E66717 Vol. 4 Sec. 1 and Report

III. 13 Iss. 5-9-84

\*\*\* RECEPTACLE 250 SERIES FASTON \*\*\*

DATE: 04/29/83	FIG. CATALOG NO.	LOOSE PIECE	RANGE WIRE	INSUL.	TAB THK.	MATERIAL TYPE	FINISH	DIAMENSIONS W L E	DESCRIPTIONS	NEAREST US EQUIVALENT PARTNUMBER	UL	REMARKS OR NOTES		
0-160256-7	0-160304-7	0-160305-6	1-0-2.5	3-0-4.3	0.80	0.45	BRONZE	7.6	19.2	7.7	1.7	0-041773-0	N	2
0-160256-8	0-160304-8	0-160305-7	1-0-2.5	3-0-4.3	0.80	0.45	BRONZE	7.6	19.2	7.7	1.7	0-041678-1	Y	2
0-160256-9	0-160304-9	0-160305-8	1-0-2.5	3-0-4.3	0.80	0.45	BRONZE	7.6	19.2	7.7	1.7	0-041678-1	Y	2
1-160256-1	1-160304-1	1-160305-1	1-0-2.5	3-0-4.3	0.80	0.41	STEEL	7.6	19.2	7.7	1.7	0-042219-1	N	2
1-160256-3	1-160304-3	1-160305-3	1-0-2.5	3-0-4.3	0.80	0.45	BRASS	7.6	19.2	7.7	1.7	0-042219-1	N	2
1-160256-4	1-160304-4	1-160305-4	1-0-2.5	3-0-4.3	0.80	0.41	STEEL	7.6	19.2	7.7	1.7	0-042219-1	N	2
1-160256-6	1-160304-6	1-160305-6	1-0-2.5	3-0-4.3	0.80	0.45	BRASS	7.6	19.2	7.7	1.7	0-041202-0	Y	2
1-160256-7	1-160304-7	1-160305-7	1-0-2.5	3-0-4.3	0.80	0.45	BRASS	7.6	19.2	7.7	1.7	0-041274-0	Y	2
1-160256-8	1-160304-8	1-160305-8	1-0-2.5	3-0-4.3	0.80	0.45	BRASS	7.6	19.2	7.7	1.7	0-041274-0	Y	2
1-160256-9	1-160304-9	1-160305-9	1-0-2.5	3-0-4.3	0.80	0.45	BRASS	7.6	19.2	7.7	1.7	0-041678-0	Y	2
2-160256-1	2-160304-1	2-160305-1	1-0-2.5	3-0-4.3	0.80	0.45	BRASS	7.6	19.2	7.7	1.7	0-041202-0	Y	2
2-160256-2	2-160304-2	2-160305-2	1-0-2.5	3-0-4.3	0.80	0.45	BRASS	7.6	19.2	7.7	1.7	0-041274-1	Y	2
2-160256-3	2-160304-3	2-160305-3	1-0-2.5	3-0-4.3	0.80	0.41	STEEL	7.6	19.2	7.7	1.7	0-042219-1	N	2
2-160256-4	2-160304-4	2-160305-4	1-0-2.5	3-0-4.3	0.80	0.45	BRONZE	7.6	19.2	7.7	1.7	0-041678-0	Y	2
2-160256-5	2-160304-5	2-160305-5	1-0-2.5	3-0-4.3	0.80	0.41	STEEL	7.6	19.2	7.7	1.7	0-042219-1	N	2
2-160256-6	2-160304-6	2-160305-6	1-0-2.5	3-0-4.3	0.80	0.45	BRASS	7.6	19.2	7.7	1.7	0-041274-1	Y	2
2-160256-7	2-160304-7	2-160305-7	1-0-2.5	3-0-4.3	0.80	0.45	BRASS	7.6	19.2	7.7	1.7	0-041274-1	Y	2
2-160256-8	2-160304-8	2-160305-8	1-0-2.5	3-0-4.3	0.80	0.45	BRASS	7.6	19.2	7.7	1.7	0-041274-0	Y	2
2-160256-9	2-160304-9	2-160305-9	1-0-2.5	3-0-4.3	0.80	0.45	BRASS	7.6	19.2	7.7	1.7	0-041678-1	Y	2
3-160256-0	3-160304-0	3-160305-0	1-0-2.5	3-0-4.3	0.80	0.45	BRASS	7.6	19.2	7.7	1.7	0-041678-0	Y	2
3-160256-1	3-160304-1	3-160305-1	1-0-2.5	3-0-4.3	0.80	0.45	BRASS	7.6	19.2	7.7	1.7	0-041678-0	Y	2
3-160256-2	3-160304-2	3-160305-2	1-0-2.5	3-0-4.3	0.80	0.45	BRASS	7.6	19.2	7.7	1.7	0-041274-0	Y	2
3-160256-3	3-160304-3	3-160305-3	1-0-2.5	3-0-4.3	0.80	0.45	BRASS	7.6	19.2	7.7	1.7	0-041274-0	Y	2
3-160256-4	3-160304-4	3-160305-4	1-0-2.5	3-0-4.3	0.80	0.45	BRASS	7.6	19.2	7.7	1.7	0-041274-0	Y	2
3-160256-5	3-160304-5	3-160305-5	1-0-2.5	3-0-4.3	0.80	0.45	BRASS	7.6	19.2	7.7	1.7	0-041274-0	Y	2
3-160256-6	3-160304-6	3-160305-6	1-0-2.5	3-0-4.3	0.80	0.45	BRASS	7.6	19.2	7.7	1.7	0-041274-0	Y	2
3-160256-7	3-160304-7	3-160305-7	1-0-2.5	3-0-4.3	0.80	0.45	BRASS	7.6	19.2	7.7	1.7	0-041274-0	Y	2
3-160256-8	3-160304-8	3-160305-8	1-0-2.5	3-0-4.3	0.80	0.45	BRASS	7.6	19.2	7.7	1.7	0-041274-0	Y	2
3-160256-9	3-160304-9	3-160305-9	1-0-2.5	3-0-4.3	0.80	0.45	BRASS	7.6	19.2	7.7	1.7	0-041274-0	Y	2
4-160256-0	4-160304-0	4-160305-0	1-0-2.5	3-0-4.3	0.80	0.45	BRASS	7.6	19.2	7.7	1.7	0-041274-0	Y	2
4-160256-1	4-160304-1	4-160305-1	1-0-2.5	3-0-4.3	0.80	0.45	BRASS	7.6	19.2	7.7	1.7	0-041274-0	Y	2
4-160256-2	4-160304-2	4-160305-2	1-0-2.5	3-0-4.3	0.80	0.45	BRASS	7.6	19.2	7.7	1.7	0-041274-0	Y	2
4-160256-3	4-160304-3	4-160305-3	1-0-2.5	3-0-4.3	0.80	0.45	BRASS	7.6	19.2	7.7	1.7	0-041274-0	Y	2
4-160256-4	4-160304-4	4-160305-4	1-0-2.5	3-0-4.3	0.80	0.45	BRASS	7.6	19.2	7.7	1.7	0-041274-0	Y	2
4-160256-5	4-160304-5	4-160305-5	1-0-2.5	3-0-4.3	0.80	0.45	BRASS	7.6	19.2	7.7	1.7	0-041274-0	Y	2
4-160256-6	4-160304-6	4-160305-6	1-0-2.5	3-0-4.3	0.80	0.45	BRASS	7.6	19.2	7.7	1.7	0-041274-0	Y	2
4-160256-7	4-160304-7	4-160305-7	1-0-2.5	3-0-4.3	0.80	0.45	BRASS	7.6	19.2	7.7	1.7	0-041274-0	Y	2
4-160256-8	4-160304-8	4-160305-8	1-0-2.5	3-0-4.3	0.80	0.45	BRASS	7.6	19.2	7.7	1.7	0-041274-0	Y	2
4-160256-9	4-160304-9	4-160305-9	1-0-2.5	3-0-4.3	0.80	0.45	BRASS	7.6	19.2	7.7	1.7	0-041274-0	Y	2
5-160256-0	5-160304-0	5-160305-0	1-0-2.5	3-0-4.3	0.80	0.45	BRASS	7.6	19.2	7.7	1.7	0-041274-0	Y	2
5-160256-1	5-160304-1	5-160305-1	1-0-2.5	3-0-4.3	0.80	0.45	BRASS	7.6	19.2	7.7	1.7	0-041274-0	Y	2
0-160301-1	0-160305-1	0-160306-1	4-0-6.0	3-8-5.1	0.80	0.45	BRASS	7.6	19.7	7.7	1.7	0-041449-0	Y	2
0-160301-2	0-160305-2	0-160306-2	4-0-6.0	3-8-5.1	0.80	0.45	BRASS	7.6	19.7	7.7	1.7	0-041450-0	Y	2
0-160301-3	0-160305-3	0-160306-3	4-0-6.0	3-8-5.1	0.80	0.45	BRASS	7.6	19.7	7.7	1.7	0-041679-0	Y	2
0-160301-4	0-160305-4	0-160306-4	4-0-6.0	3-8-5.1	0.80	0.41	STEEL	7.6	19.7	7.7	1.7	0-041679-0	Y	2
0-160301-5	0-160305-5	0-160306-5	4-0-6.0	3-8-5.1	0.80	0.41	STEEL	7.6	19.7	7.7	1.7	0-041679-0	Y	2
0-160301-6	0-160305-6	0-160306-6	4-0-6.0	3-8-5.1	0.80	0.45	BRONZE	7.6	19.7	7.7	1.7	0-041679-0	Y	2
0-160301-7	0-160305-7	0-160306-7	4-0-6.0	3-8-5.1	0.80	0.45	BRONZE	7.6	19.7	7.7	1.7	0-041679-0	Y	2
0-160301-8	0-160305-8	0-160306-8	4-0-6.0	3-8-5.1	0.80	0.45	BRONZE	7.6	19.7	7.7	1.7	0-041679-0	Y	2
0-160301-9	0-160305-9	0-160306-9	4-0-6.0	3-8-5.1	0.80	0.45	BRONZE	7.6	19.7	7.7	1.7	0-041679-0	Y	2
1-160301-1	1-160305-1	1-160306-1	4-0-6.0	3-8-5.1	0.80	0.45	BRONZE	7.6	19.7	7.7	1.7	0-041679-3	Y	2

NOTE 1=LOOSE PIECE WIRE BARREL PRE CRIMPED  
 NOTE 2=LOOSE PIECE WIRE AND INSULATION BARREL PRE CRIMPED  
 NOTE 3=SPLICE FREE REELED  
 NOTE 4=WITH CHAMFER AROUND FRONT OF RECEPTACLE

File E66717 Vol.4 Sec.1 and Report  
 III 14 Iss. 5-9-84

\*\*\* RECEPTACLE 250 SERIES FASTON \*\*\*

DATE: 04/29/83	FIG.	RANGE	TAB	MATERIAL	DIENSIONS	NEAREST	REMARKS
CATALOG NO.	LOOSE PIECE	WIRE	THK.	TYPE FINISH	W L E	EQUIVALENT	OR NOTES
STRIP		INSUL.				PARTNUMBER	UL
1-160301-2	0-160305-1	4.0-6.0	0.80	0.45 BRASS	7.6 19.7	0-041449-0	Y 2&3
1-160301-3	1-160305-3	4.0-6.0	0.80	0.45 BRASS	7.6 19.7	0-041449-0	Y 2&4
1-160301-4	1-160305-4	4.0-6.0	0.80	0.45 BRONZE	7.6 19.7	0-041450-0	Y 2&4
1-160301-5	1-160305-5	4.0-6.0	0.80	0.45 BRASS	7.6 19.7	0-041450-0	Y 2&3&4
1-160301-6	1-160305-6	4.0-6.0	0.80	0.45 BRASS	7.6 19.7	0-041450-0	Y 2&4
1-160301-7	1-160305-7	4.0-6.0	0.80	0.45 BRONZE	7.6 19.7	0-041679-0	Y 2&4
1-160301-8	1-160305-8	4.0-6.0	0.80	0.45 BRONZE	7.6 19.7	0-041679-3	Y 2&3&4
1-160301-9	1-160305-9	4.0-6.0	0.80	0.45 BRONZE	7.6 19.7	0-041450-0	Y 2&3
2-160301-1	0-160305-2	4.0-6.0	0.80	0.45 BRONZE	7.6 19.7	0-041450-0	Y 2&4
2-160301-2	1-160305-9	4.0-6.0	0.80	0.45 BRONZE	7.6 19.7	0-041450-0	Y 2&4
2-160301-3	2-160305-1	4.0-6.0	0.80	0.45 BRONZE	7.6 19.7	0-041450-0	Y 2&4
2-160301-5	2-160305-3	4.0-6.0	0.80	0.45 BRONZE	7.6 19.7	0-041450-0	Y 2&4
2-160301-6	2-160305-4	4.0-6.0	0.80	0.41 STEEL	7.6 19.7	0-041450-0	Y 2&4
2-160301-7	1-160305-3	4.0-6.0	0.80	0.45 BRASS	7.6 19.7	0-041449-0	Y 2&3&4
0-160327-1	1	1.0-2.5	0.00	0.45 BRASS	7.6 19.2	0-041202-0	Y 1.7
0-160327-2	1	1.0-2.5	0.80	0.45 BRASS	7.6 19.2	0-041274-0	Y 1.7
0-160327-3	1	1.0-2.5	0.80	0.45 BRASS	7.6 19.2	0-041678-0	Y 1.7
0-160389-1	0-160412-1	0.3-0.8	0.80	0.41 STEEL	7.6 19.2	0-042219-1	N 1.7
0-160389-2	0-160412-2	0.3-0.8	0.80	0.41 STEEL	7.6 19.2	0-041274-0	Y 1.7
0-160389-3	0-160412-3	0.3-0.8	0.80	0.41 STEEL	7.6 19.2	0-041274-0	Y 1.7
0-160432-1	0-160506-1	0.5-1.5	0.80	0.41 BRASS	7.6 19.2	0-041202-0	Y 1.7
0-160432-2	0-160506-2	0.5-1.5	0.80	0.41 BRASS	7.6 19.2	0-041274-0	Y 1.7
0-160432-3	0-160506-3	0.5-1.5	0.80	0.41 BRASS	7.6 19.2	0-041274-0	Y 1.7
0-160432-4	0-160506-4	0.5-1.5	0.80	0.41 BRASS	7.6 19.2	0-041274-0	Y 1.7
0-160432-5	0-160506-5	0.5-1.5	0.80	0.41 BRASS	7.6 19.2	0-041202-0	Y 1.7
0-160432-6	0-160506-6	0.5-1.5	0.80	0.41 BRASS	7.6 19.2	0-041274-0	Y 1.7
0-160432-7	0-160506-7	0.5-1.5	0.80	0.41 BRASS	7.6 19.2	0-041274-0	Y 1.7
0-160432-8	0-160506-8	0.5-1.5	0.80	0.41 BRASS	7.6 19.2	0-041274-0	Y 1.7
0-160432-9	0-160506-9	0.5-1.5	0.80	0.41 BRASS	7.6 19.2	0-041274-0	Y 1.7
0-160432-0	0-160506-0	0.5-1.5	0.80	0.41 BRASS	7.6 19.2	0-041274-0	Y 1.7
0-160432-1	0-160506-1	0.5-1.5	0.80	0.41 BRASS	7.6 19.2	0-041274-0	Y 1.7
0-160432-2	0-160506-2	0.5-1.5	0.80	0.41 BRASS	7.6 19.2	0-041274-0	Y 1.7
0-160432-3	0-160506-3	0.5-1.5	0.80	0.41 BRASS	7.6 19.2	0-041274-0	Y 1.7
0-160432-4	0-160506-4	0.5-1.5	0.80	0.41 BRASS	7.6 19.2	0-041274-0	Y 1.7
0-160432-5	0-160506-5	0.5-1.5	0.80	0.41 BRASS	7.6 19.2	0-041274-0	Y 1.7
0-160432-6	0-160506-6	0.5-1.5	0.80	0.41 BRASS	7.6 19.2	0-041274-0	Y 1.7
0-160432-7	0-160506-7	0.5-1.5	0.80	0.41 BRASS	7.6 19.2	0-041274-0	Y 1.7
0-160432-8	0-160506-8	0.5-1.5	0.80	0.41 BRASS	7.6 19.2	0-041274-0	Y 1.7
0-160432-9	0-160506-9	0.5-1.5	0.80	0.41 BRASS	7.6 19.2	0-041274-0	Y 1.7
0-160432-0	0-160506-0	0.5-1.5	0.80	0.41 BRASS	7.6 19.2	0-041274-0	Y 1.7
0-160432-1	0-160506-1	0.5-1.5	0.80	0.41 BRASS	7.6 19.2	0-041274-0	Y 1.7
0-160432-2	0-160506-2	0.5-1.5	0.80	0.41 BRASS	7.6 19.2	0-041274-0	Y 1.7
0-160432-3	0-160506-3	0.5-1.5	0.80	0.41 BRASS	7.6 19.2	0-041274-0	Y 1.7
0-160432-4	0-160506-4	0.5-1.5	0.80	0.41 BRASS	7.6 19.2	0-041274-0	Y 1.7
0-160432-5	0-160506-5	0.5-1.5	0.80	0.41 BRASS	7.6 19.2	0-041274-0	Y 1.7
0-160432-6	0-160506-6	0.5-1.5	0.80	0.41 BRASS	7.6 19.2	0-041274-0	Y 1.7
0-160432-7	0-160506-7	0.5-1.5	0.80	0.41 BRASS	7.6 19.2	0-041274-0	Y 1.7
0-160432-8	0-160506-8	0.5-1.5	0.80	0.41 BRASS	7.6 19.2	0-041274-0	Y 1.7
0-160432-9	0-160506-9	0.5-1.5	0.80	0.41 BRASS	7.6 19.2	0-041274-0	Y 1.7
0-160432-0	0-160506-0	0.5-1.5	0.80	0.41 BRASS	7.6 19.2	0-041274-0	Y 1.7
0-160465-1	0-160503-1	0.75-1.5	0.80	0.45 BRASS	7.6 19.2	0-041202-0	Y 1.7
0-160465-2	0-160742-1	0.75-1.5	0.80	0.45 BRASS	7.6 19.2	0-041274-0	Y 1.7
0-160465-3	0-160742-2	0.75-1.5	0.80	0.45 BRASS	7.6 19.2	0-041274-0	Y 1.7

NOTE 1-LOOSE PIECE WIRE BARREL PRE CRIMPED  
 NOTE 2-LOOSE PIECE WIRE AND INSULATION BARREL PRE CRIMPED  
 NOTE 3-SPlice FREE REELED  
 NOTE 4-WITH CHAMFER AROUND FRONT OF RECEPTACLE

File E66717 Vol. 4 Sec. 1  
and Report

III. 15 Iss. 5-9-84

\*\*\* RECEPTACLE 250 SERIES FASTON \*\*\*

DATE: 04/29/83	FIG.	RANGE	TAB	MATERIAL	DIMENSIONS	NEAREST	REMARKS
CATALOG NO.	WIRE	INSUL.	THK.	FINISH	W L E	US EQUIVALENT	OR NOTES
STRIP LOOSE PIECE						PARTNUMBER	
0-160465-3	1	0.75-1.5	3.0-4.3	0.80	0.45 BRASS	7.6 19.2 7.7 1.7	0-041678-0 Y 1
0-160465-5	1	0.75-1.5	3.0-4.3	0.80	0.41 STEEL	7.6 19.2 7.7 1.7	0-042219-1 N 3
0-160465-6	1	0.75-1.5	3.0-4.3	0.80	0.45 BRONZE	7.6 19.2 7.7 1.7	0-041773-0 N 2
0-160465-7	1	0.75-1.5	3.0-4.3	0.80	0.45 BRONZE	7.6 19.2 7.7 1.7	0-041678-1 Y 1
0-160465-8	1	0.75-1.5	3.0-4.3	0.80	0.41 STEEL	7.6 19.2 7.7 1.7	0-041202-0 Y 1
0-160465-9	1	0.75-1.5	3.0-4.3	0.80	0.45 BRASS	7.6 19.2 7.7 1.7	0-041274-0 Y 2
1-160465-0	1	0.75-1.5	3.0-4.3	0.80	0.45 BRASS	7.6 19.2 7.7 1.7	0-041274-0 Y 2
1-160465-1	1	0.75-1.5	3.0-4.3	0.80	0.45 BRONZE	7.6 19.2 7.7 1.7	0-061099-1 Y Y
1-160465-2	1	0.75-1.5	3.0-4.3	0.80	0.45 BRASS	7.6 19.2 7.7 1.7	0-041274-0 Y Y
1-160465-3	1	0.75-1.5	3.0-4.3	0.80	0.45 BRONZE	7.6 19.2 7.7 1.7	0-061099-1 Y Y
5-160465-1	1	0.75-1.5	3.0-4.3	0.80	0.45 BRASS	7.6 19.2 7.7 1.7	0-041202-0 Y 1
5-160465-2	1	0.75-1.5	3.0-4.3	0.80	0.45 BRASS	7.6 19.2 7.7 1.7	0-041274-0 Y 1
5-160465-3	1	0.75-1.5	3.0-4.3	0.80	0.45 BRASS	7.6 19.2 7.7 1.7	0-041678-0 Y 1
5-160465-4	1	0.75-1.5	3.0-4.3	0.80	0.41 STEEL	7.6 19.2 7.7 1.7	0-042219-1 N 3
5-160465-5	1	0.75-1.5	3.0-4.3	0.80	0.45 BRONZE	7.6 19.2 7.7 1.7	0-041773-0 N 2
5-160465-6	1	0.75-1.5	3.0-4.3	0.80	0.45 BRASS	7.6 19.2 7.7 1.7	0-041274-0 Y 1
5-160465-7	1	0.75-1.5	3.0-4.3	0.80	0.45 BRONZE	7.6 19.2 7.7 1.7	0-041678-1 Y 1
5-160465-8	1	0.75-1.5	3.0-4.3	0.80	0.41 STEEL	7.6 19.2 7.7 1.7	0-041202-0 Y 1
5-160465-9	1	0.75-1.5	3.0-4.3	0.80	0.45 BRASS	7.6 19.2 7.7 1.7	0-041274-0 Y 1
6-160465-0	1	0.75-1.5	3.0-4.3	0.80	0.45 BRASS	7.6 19.2 7.7 1.7	0-041274-0 Y 1
6-160465-1	1	0.75-1.5	3.0-4.3	0.80	0.45 BRONZE	7.6 19.2 7.7 1.7	0-061099-1 Y 4
6-160465-2	1	0.75-1.5	3.0-4.3	0.80	0.45 BRASS	7.6 19.2 7.7 1.7	0-041274-0 Y 4
6-160465-3	1	0.75-1.5	3.0-4.3	0.80	0.45 BRONZE	7.6 19.2 7.7 1.7	0-061099-1 Y 4
6-160465-4	1	0.75-1.5	3.0-4.3	0.80	0.45 BRASS	7.6 19.2 7.7 1.7	0-061099-1 Y 3
0-160515-1	1	1.0-2.5	3.1-4.3	0.80	0.45 BRONZE	7.6 19.2 7.7 1.7	0-041773-0 Y
0-160515-2	1	1.0-2.5	3.1-4.3	0.80	0.45 BRONZE	7.6 19.2 7.7 1.7	0-061099-1 N
0-160516-1	1	4.0-6.0	3.8-5.1	0.80	0.45 BRONZE	7.6 19.7 7.7 1.7	0-041773-0 Y
0-160516-2	1	4.0-6.0	3.8-5.1	0.80	0.43 BRONZE	7.6 19.7 7.7 1.7	0-061099-1 N
0-160541-1	1	1.0-2.5	3.0-4.3	0.80	0.45 BRASS	7.6 19.2 7.7 1.7	0-041202-0 Y
0-160608-2	1	2.1-5.3	3.8-5.1	0.80	0.41 STEEL	7.5 19.7 7.7 1.7	0-042219-1 N

NOTE 1=LOOSE PIECE WIRE BARREL PRE CRIMPED  
 NOTE 2=LOOSE PIECE WIRE AND INSULATION BARREL PRE CRIMPED  
 NOTE 3=SPLICE FREE REELED  
 NOTE 4=WITH CHAMFER AROUND FRONT OF RECEPTACLE

File E66717 Vol. 4 Sec. 1 and Report

Th. 16 Iss. 5-9-84

\*\*\* RECEPTACLE 250 SERIES FASTON \*\*\*

DATE: 04/29/83  
C A T A L O G N O .  
STRIP LOOSE PIECE

FIG. R A N G E  
WIRE INSUL.

TAB M A T E R I A L  
THK. TYPE FINISH

D I M E N S I O N S  
W L E Y

N E A R E S T  
US EQUIVALENT  
PARTNUMBER UL

R E M A R K S  
O R N O T E S

0-160722-1	0-041858-0	1	2.1-5.3	3.8-5.1	0.80	0.45	BRASS	7.6	19.7	7.7	1.7	0-041449-0	Y	2&3
0-160722-2	0-042075-1	1	2.1-5.3	3.8-5.1	0.80	0.45	BRASS	7.6	19.7	7.7	1.7	0-041450-0	Y	2&3
	0-041829-0													2
	0-042075-0													2
	0-061227-1													1

0-160739-1	0-160830-1	3	0.8-2.1	3.0-4.3	0.80	0.38	BRASS	7.6	19.5	7.7	2.3	0-061944-1	Y	3
0-160739-2	0-160830-2	3	0.8-2.1	3.0-4.3	0.80	0.38	BRASS	7.6	19.5	7.7	2.3	0-061944-2	Y	3
0-160739-3	0-160830-3	3	0.8-2.1	3.0-4.3	0.80	0.38	BRONZE	7.6	19.5	7.7	2.3			3
0-160739-4	0-160830-4	3	0.8-2.1	3.0-4.3	0.80	0.38	BRONZE	7.6	19.5	7.7	2.3			3
0-160739-6		3	0.8-2.1	3.0-4.3	0.80	0.38	STEEL	7.6	19.5	7.7	2.3			3
0-160739-7		3	0.8-2.1	3.0-4.3	0.80	0.38	BRONZE	7.6	19.5	7.7	2.3			3

0-160769-1		1	0.5-1.5	2.3-3.3	0.50	0.41	BRASS	7.6	19.2	7.7	2.3	0-41202-0	Y	4
0-160769-2		1	0.5-1.5	2.3-3.3	0.50	0.41	BRASS	7.6	19.2	7.7	2.3	0-41274-0	Y	4
5-160769-1		1	0.5-1.5	2.3-3.3	0.50	0.41	BRASS	7.6	19.2	7.7	2.3	0-41202-0	Y	4
5-160769-2		1	0.5-1.5	2.3-3.3	0.50	0.41	BRASS	7.6	19.2	7.7	2.3	0-41274-0	Y	4

0-160807-1	0-160813-1	1	0.5-1.5	2.3-3.3	0.80	0.41	NI-AG	7.6	19.2	7.7	2.3	0-42219-1	N	
0-160808-1	0-160814-1	1	1.0-2.5	3.0-4.3	0.80	0.41	NI-AG	7.6	19.2	7.7	1.7	0-42219-1	N	

0-180371-1	0-180434-1	2	1.0-2.5	3.0-4.3	0.80	0.41	BRASS	7.6	15.5	7.6	2.3			
0-180371-2	0-180434-2	2	1.0-2.5	3.0-4.3	0.80	0.41	BRASS	7.6	15.5	7.6	2.3			
0-180371-3	0-180434-3	2	1.0-2.5	3.0-4.3	0.80	0.41	BRASS	7.6	15.5	7.6	2.3			
0-180371-4	0-180434-4	2	1.0-2.5	3.0-4.3	0.80	0.41	BRASS	7.6	15.5	7.6	2.3			
0-180371-5	0-180434-5	2	1.0-2.5	3.0-4.3	0.80	0.41	BRASS	7.6	15.5	7.6	2.3			

0-180388-1	0-180430-1	2	0.5-1.5	2.3-3.3	0.80	0.41	BRASS	7.6	15.5	7.6	2.3	0-062812-1	N	
0-180388-2	0-180430-2	2	0.5-1.5	2.3-3.3	0.80	0.41	BRONZE	7.6	15.5	7.6	2.3	0-062812-2	N	
0-180388-3	0-180430-3	2	0.5-1.5	2.3-3.3	0.80	0.41	BRONZE	7.6	15.5	7.6	2.3			
0-180388-4	0-180430-4	2	0.5-1.5	2.3-3.3	0.80	0.41	BRONZE	7.6	15.5	7.6	2.3			
0-180388-5	0-180430-5	2	0.5-1.5	2.3-3.3	0.80	0.41	STEEL	7.6	15.5	7.6	2.3			
0-180388-7	0-180430-7	2	0.5-1.5	2.3-3.3	0.80	0.41	BRASS	7.6	15.5	7.6	2.3	0-062812-1	N	
0-180388-8		2	0.5-1.5	2.3-3.3	0.80	0.41	BRASS	7.6	15.5	7.6	2.3	0-062812-2	N	
0-180388-9		2	0.5-1.5	2.3-3.3	0.80	0.41	BRASS	7.6	15.5	7.6	2.3			

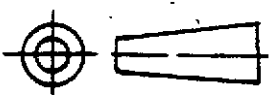
0-180397-1	0-180429-1	2	1.0-2.5	3.0-4.3	0.80	0.41	BRASS	7.6	15.5	7.6	2.3	0-062812-1	N	
0-180397-2	0-180429-2	2	1.0-2.5	3.0-4.3	0.80	0.41	BRASS	7.6	15.5	7.6	2.3	0-062812-2	N	
0-180397-3	0-180429-3	2	1.0-2.5	3.0-4.3	0.80	0.41	BRONZE	7.6	15.5	7.6	2.3			
0-180397-4	0-180429-4	2	1.0-2.5	3.0-4.3	0.80	0.41	BRONZE	7.6	15.5	7.6	2.3			
0-180397-5	0-180429-5	2	1.0-2.5	3.0-4.3	0.80	0.41	BRONZE	7.6	15.5	7.6	2.3			
0-180397-6	0-180429-6	2	1.0-2.5	3.0-4.3	0.80	0.41	BRONZE	7.6	15.5	7.6	2.3			

NOTE 1=LOOSE PIECE WIRE BARREL PRE CRIMPED  
 NOTE 2=LOOSE PIECE WIRE AND INSULATION BARREL PRE CRIMPED  
 NOTE 3=SPICE FREE REELED  
 NOTE 4=WITH CHAMFER AROUND FRONT OF RECEPTACLE

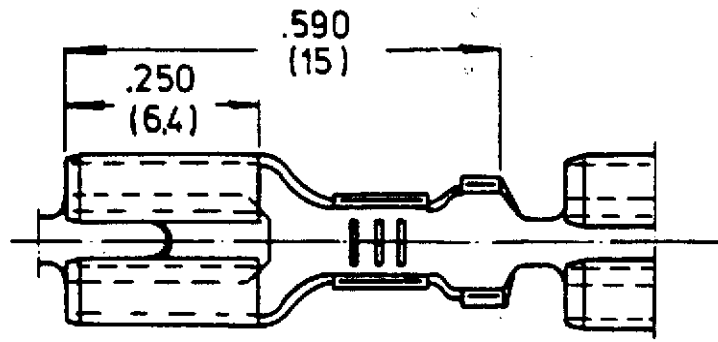
**DO NOT SCALE**

**METRIC**

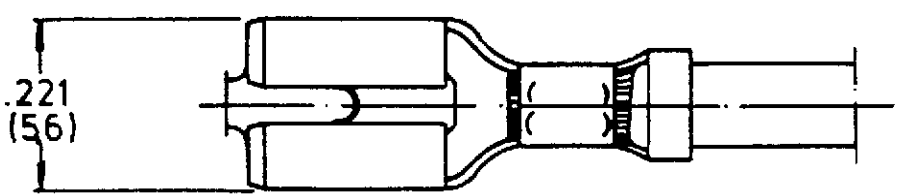
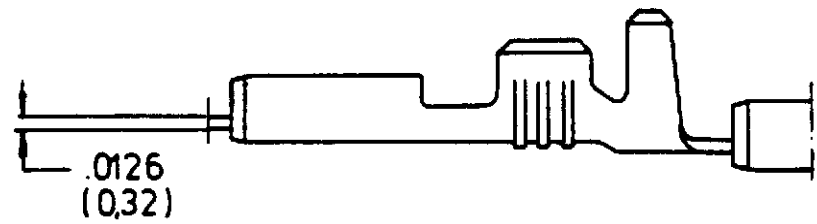
THIRD ANGLE PROJECTION



DIMENSIONS IN mm

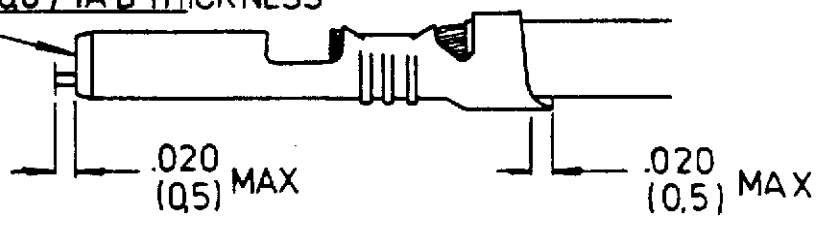


File E66717  
 Vol. 4  
 Sec. 1  
 and Report  
 Lit. 18  
 Iss. 5-9-84  
 No. 4-17-86



**RESTRICTED**

FOR .031 (0.8) TAB THICKNESS



TINPLATED	BRASS	160883-2
UNPLATED	BRASS	160883-1
FINISH	MATERIAL	PART NUMBER

**CUSTOMER DRAWING**

FOR REFERENCE ONLY  
WILL NOT BE UPDATED

**AMP** | AMP-HOLLAND B.V.  
's-Hertogenbosch, The Netherlands

~~THIS DRAWING IS UNPUBLISHED~~ | RELEASED FOR PUBLICATION 1. 11. 1985

© COPYRIGHT 1985 BY AMP-HOLLAND B.V.  
 ALL INTERNATIONAL RIGHTS RESERVED.  
 AMP PRODUCTS MAY BE COVERED BY U.S. AND FOREIGN PATENTS AND/OR PATENTS PENDING

DR. R.v.LOKVEN 01.11.85	WIRE RANGE 0.5-1.5 MM2	NAME 187 SRS FASTON REC	REV DATE D M Y 8 11 85
CHK. <i>[Signature]</i> 1.11.85	INSUL. RANGE .090-.130 DIA (2.3-3.3)		
APP. <i>[Signature]</i> 1.11.85	SIZE A4	SHEET 1 OF 1	DRAWING NO <b>C</b> 160883
			REV. LTR. <b>A</b>



E66717

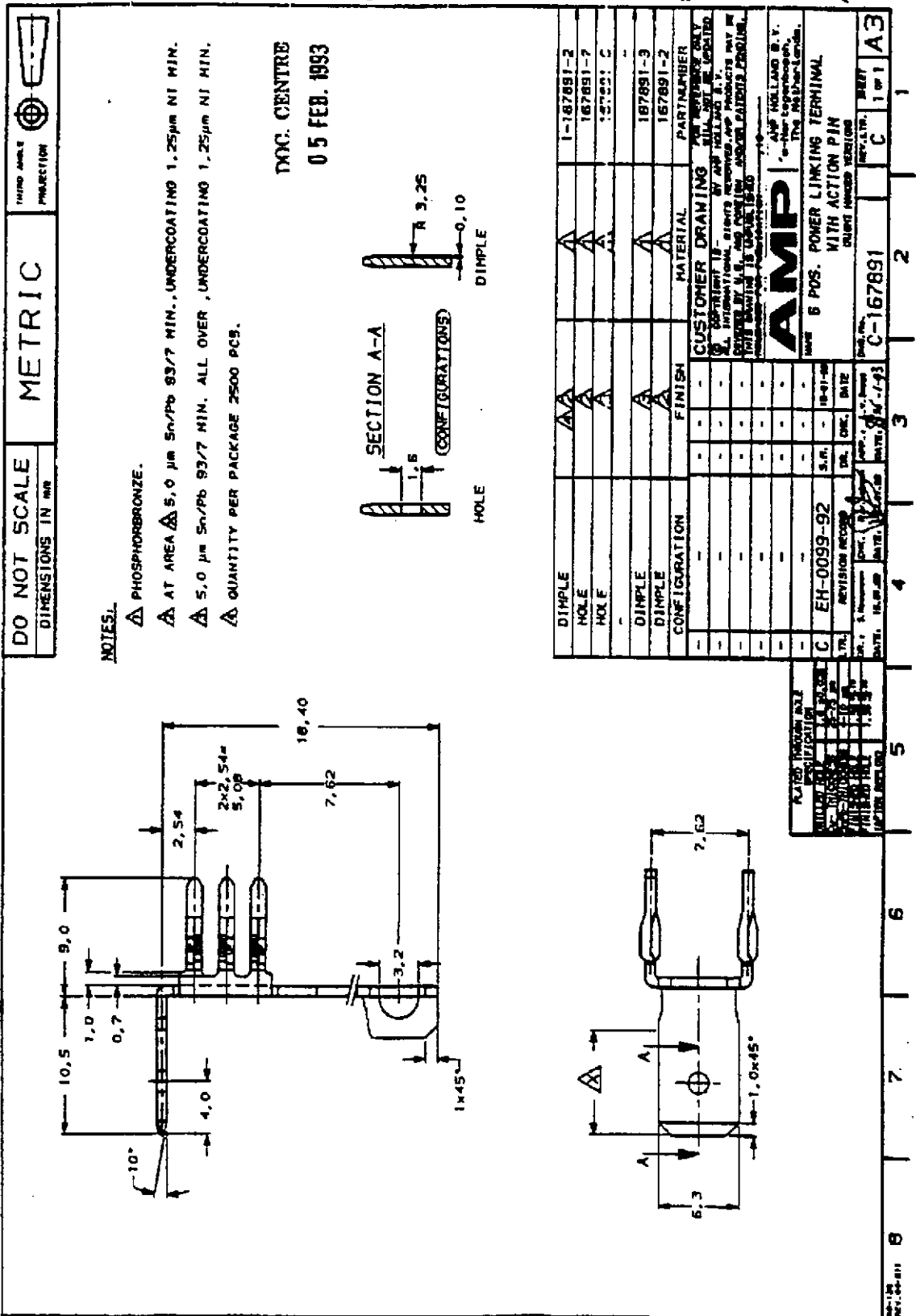
Vol. 4

Sec. 1

ILL- 20

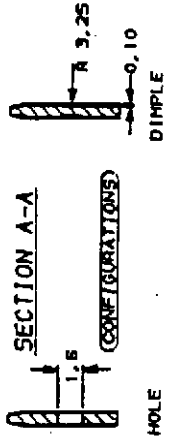
Issued: 05-09-84  
New: 12-16-93

and Report



**NOTES:**  
 ▲ PHOSPHORBRONZE.  
 ▲ AT AREA ▲ 5.0 µm Sn/Pb 93/7 MIN., UNDERCOATING 1.25µm NI MIN.  
 ▲ 5.0 µm Sn/Pb 93/7 MIN. ALL OVER, UNDERCOATING 1.25µm NI MIN.  
 ▲ QUANTITY PER PACKAGE 2500 PCS.

DXC. CENTRE  
05 FEB. 1993



DIMPLE	HOLE	HOLE	DIMPLE	DIMPLE	CONFIGURATION	FINISH	MATERIAL	PART NUMBER
▲	▲	▲	▲	▲				1-167891-2
▲	▲	▲	▲	▲				167891-7
▲	▲	▲	▲	▲				167891-2
▲	▲	▲	▲	▲				167891-3
▲	▲	▲	▲	▲				167891-2

**CUSTOMER DRAWING**  
 FOR REFERENCE ONLY  
 THIS DRAWING IS THE PROPERTY OF AMP  
 INTERNATIONAL. RIGHTS RESERVED. AMP PRODUCTS MAY BE  
 REPRODUCED BY ANY MEANS WITHOUT THE WRITTEN  
 PERMISSION OF AMP INTERNATIONAL.  
 THIS DRAWING IS DATE 1992

**AMP**  
 AMP HOLLAND B.V.  
 6 The Coppenhoe, 1  
 The Netherlands

6 POS. POWER LINKING TERMINAL  
 WITH ACTION PIN  
 PARTS LISTED SECTIONS  
 C-167891

S.R.	DATE	REVISION RECORD
1	1992-02-05	INITIAL DESIGN
2	1992-02-05	REVISED TO 1.0
3	1992-02-05	REVISED TO 1.0
4	1992-02-05	REVISED TO 1.0
5	1992-02-05	REVISED TO 1.0
6	1992-02-05	REVISED TO 1.0
7	1992-02-05	REVISED TO 1.0
8	1992-02-05	REVISED TO 1.0

M93-66673









E66717

Vol. 4

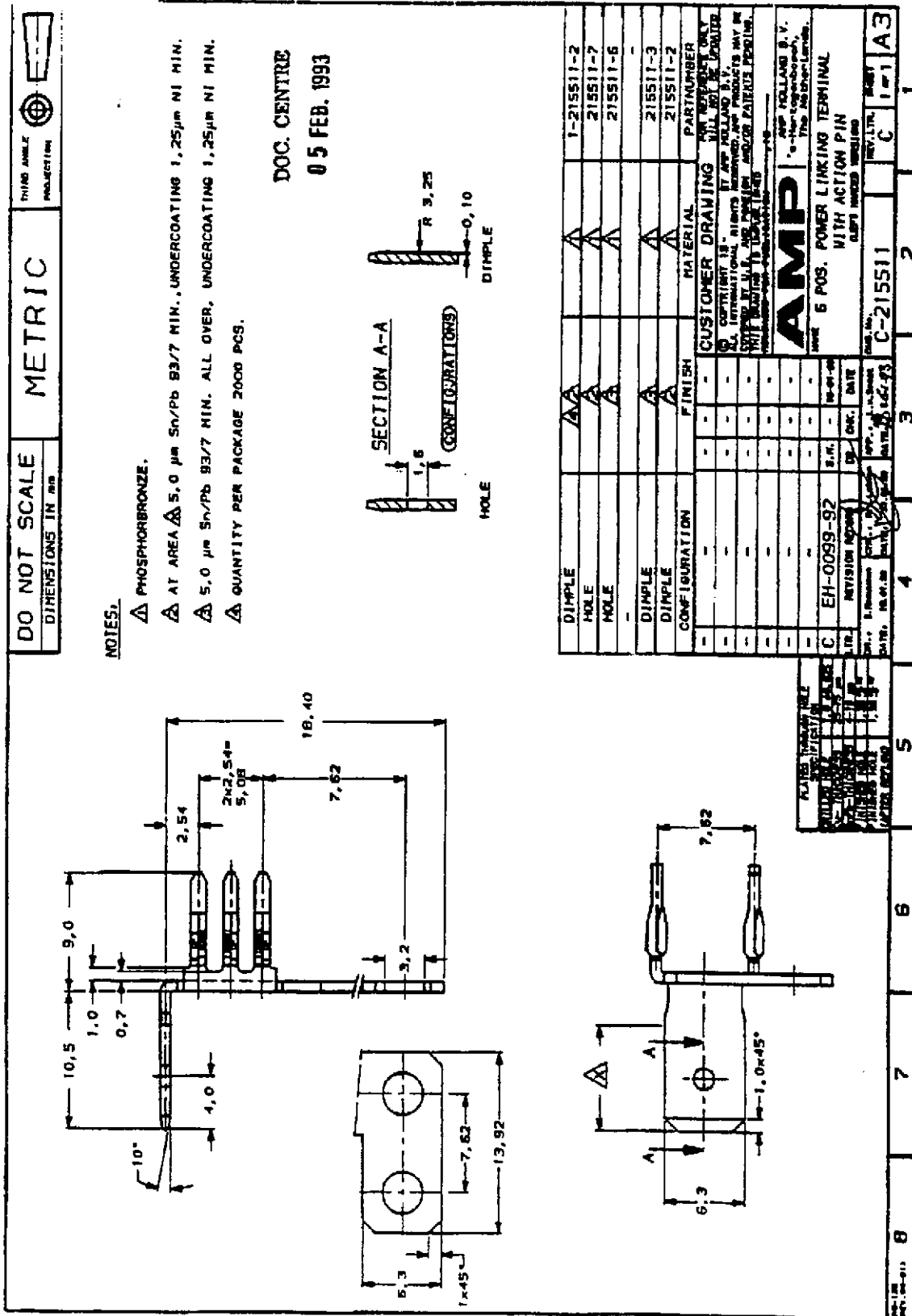
Sec. 1

ILL- 24

Issued: 05-09-84

New: 12-16-93

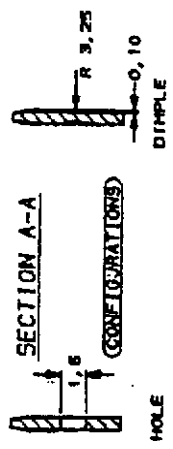
and Report



DO NOT SCALE  
DIMENSIONS IN mm  
METRIC  
THIRD ANGLE  
PROJECTION

- NOTES:
- △ PHOSPHORBRONZE.
  - △ AT AREA △ 5.0 µm Sn/Pb 93/7 MIN., UNDERCOATING 1.25µm NI MIN.
  - △ 5.0 µm Sn/Pb 93/7 MIN. ALL OVER, UNDERCOATING 1.25µm NI MIN.
  - △ QUANTITY PER PACKAGE 2000 PCS.

DOC. CENTRE  
05 FEB. 1993



DIMPLE	HOLE	HOLE	DIMPLE	DIMPLE	CONFIGURATION	FINISH	MATERIAL	PARTNUMBER
△	△	△	△	△				1-215511-2
△	△	△	△	△				215511-7
△	△	△	△	△				215511-6
△	△	△	△	△				215511-3
△	△	△	△	△				215511-2

CUSTOMER DRAWING NOT REPRODUCIBLE  
CONTRACT IS BY AMP HOLLAND B.V.  
U.S. CUSTOMERS: AMP HOLLAND B.V. 10000  
U.S. CUSTOMERS: AMP HOLLAND B.V. 10000  
U.S. CUSTOMERS: AMP HOLLAND B.V. 10000  
U.S. CUSTOMERS: AMP HOLLAND B.V. 10000

AMP HOLLAND B.V.  
10000  
The Netherlands

6 POS. POWER LINKING TERMINAL  
WITH ACTION PIN  
LEFT NEEDS MOUNTED

REV. LTR. C  
REV. DATE  
C-215511  
1-1 A3

M93-66677





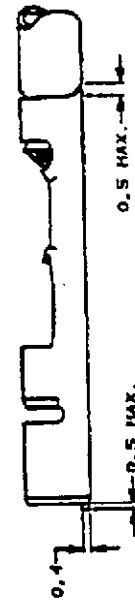
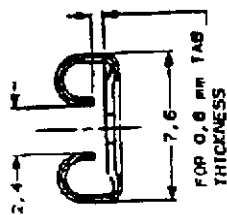
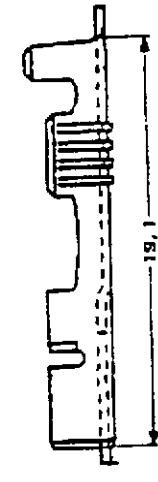
and Report

**DO NOT SCALE**  
DIMENSIONS IN mm

**METRIC**

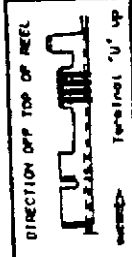
THIRD ANGLE PROJECTION

NOTES:  
1 FOR USE ON MINIATURE APPLICATORS ( LEFT-RIGHT FEED )  
2 HANDTOOL 169400 AND DIE-SET 169528 TO BE USED.



WIRE RANGE  
0.5 - 1.5 mm

INSULATION RANGE  
2.3 - 3.3 mm DIA.



100684-4	TINPLATED	PH. BRONZE	100495-4
100684-3	UNPLATED	PH. BRONZE	100495-3
100684-2	TINPLATED	BRASS	100495-2
100684-1	UNPLATED	BRASS	100495-1
LOOSE PIECE		MATERIAL	PARTNUMBER
CUSTOMER DRAWING (MATERIAL ONLY)			
TO CONTACT: 169-110000 (MATERIAL ONLY)			
ALL DIMENSIONS ARE IN MILLIMETERS UNLESS OTHERWISE SPECIFIED			
THIS DRAWING IS UNDER PATENT PROTECTION			
<b>AMP</b>			
AMP HOLLAND B.V. P.O. Box 100 The Netherlands			
LOW INSERTION FORCE FASTON RECEPTACI			
FOR 0.8 mm TAB THICKNESS .250 mm (6.3)			
REV.	DATE	BY	CHK.
0	H-9565	J.M.	P.B. 24-01-80
REVISION RECORD		DR.	CHK.
DATE: 24 JAN 1980		DATE: 24 JAN 1980	DATE: 24 JAN 1980
QTY.	UNIT PRICE	TOTAL PRICE	REMARKS
0			






and Report

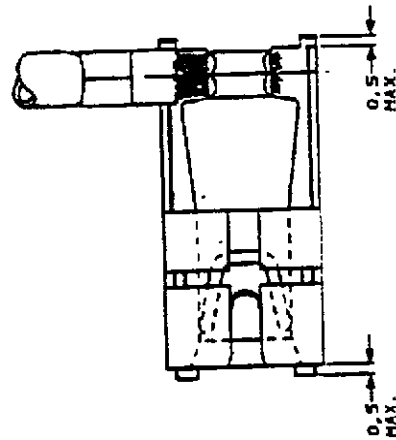
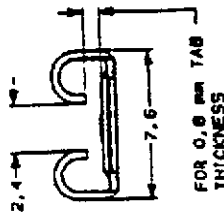
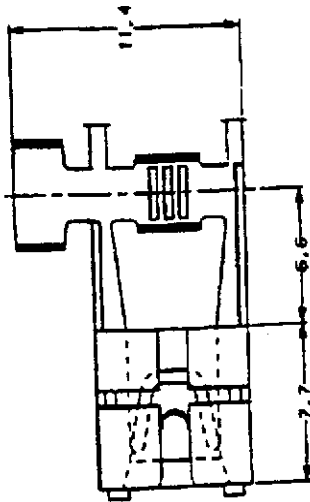
**DO NOT SCALE**  
DIMENSIONS IN mm

**METRIC**

THIRD ANGLE  
PRACTICE



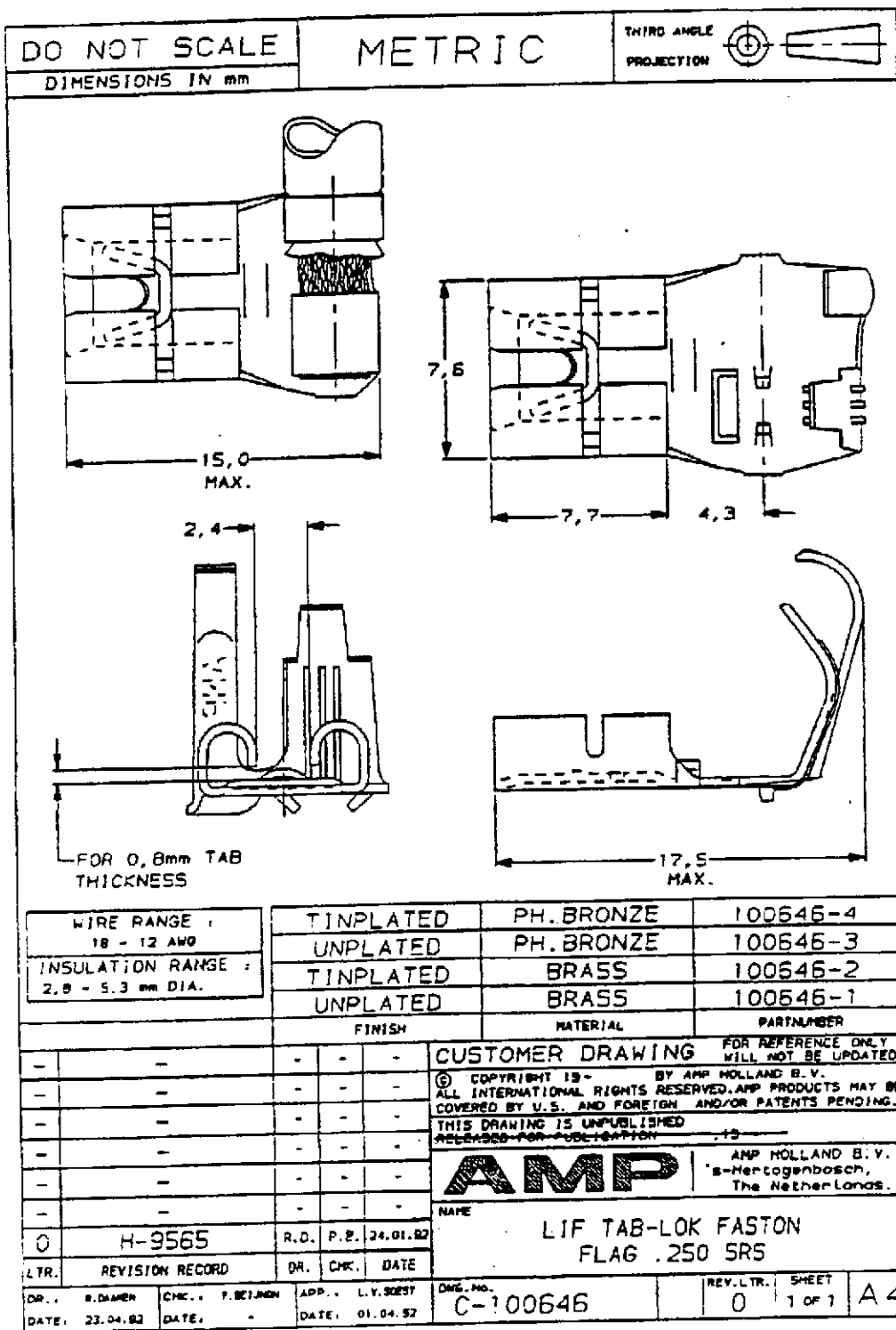
NOTES:  
1 FOR USE ON MINIATURE APPLICATORS ( LEFT-RIGHT FEED )  
A HANDTOOL 180320 TO BE USED.



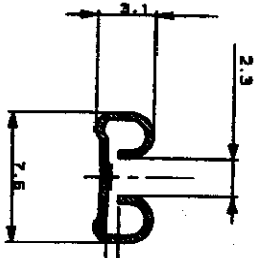
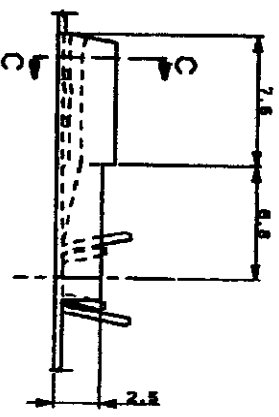
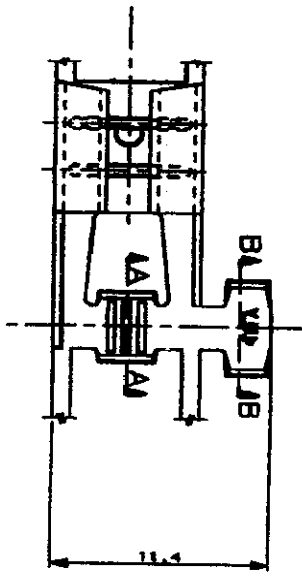
WIRE RANGE :  
0.5 - 1.5 mm<sup>2</sup>  
INSULATION RANGE :  
2.0 - 3.0 mm DIA.

100588-4	TINPLATED	PH. BRONZE	100544-4
100588-3	UNPLATED	PH. BRONZE	100544-3
100588-2	TINPLATED	BRASS	100544-2
100588-1	UNPLATED	BRASS	100544-1
LOOSE PIECE A		MATERIAL	PARTNUMBER
CUSTOMER DRAWING FOR REFERENCE ONLY CONTRACT NO. 87 AMP HOLLAND B.V. MAY 2. Information sheets required. See 1. MAY 1984. 100588-1, 100588-2, 100588-3, 100588-4 THIS DRAWING IS TO BE USED FOR THE CONSTRUCTION OF THE COMPONENTS			
REV. NO.		DATE	BY
0	H-9565	P.B. S.O.	M.C.O.B.
REVISION RECORD		DR. DATE	APP. DATE
DATE	PREP. DATE	DATE	DATE
AMP		AMP HOLLAND B.V. 's-Hertogenbosch, The Netherlands	
LOW INSERTION FORCE FASTON RECEPTACI		FOR 0.6 mm THICKNESS .250mm(0.3)	
C-100544		REV. NO.	0
		BY	1 of 1 A

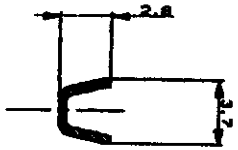




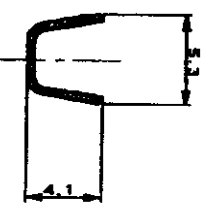




ADATTO PER LINGUETTA SPESS. 0.8  
(FIT FOR TAB THK 0.8)



SECTION A-A



SECTION B-B

SECTION C-C

METRIC  
 INTERNATIONAL  
 STANDARD  
 ISO 1  
 1978

- △ NON DISPONIBILE DALL'AMP ITALIA  
NOT AVAILABLE FROM AMP ITALIA
- △ ADATTO PER AMP-O-HATOR  
REVERSE REEL FOR HINI APPLICATOR
- △ QUANTITÀ IN CARTONE CON CARTA INTERPOSTA  
QUANTITÀ PER BOBINE, 3000  
S.T.V PER REEL, 3000
- △ CON SPECIALE RIVESTIMENTO IN CARTA  
WITH SPECIAL PAPER COVER
- △ BOBINA IN CARTONE CON CARTA INTERPOSTA  
QUANTITÀ PER BOBINE, 2500  
S.T.V PER REEL, 2500

QTY	DESCRIPTION	UNIT	QTY	DESCRIPTION	UNIT
1	QUANTITÀ IN CARTONE CON CARTA INTERPOSTA	1	QUANTITÀ IN CARTONE CON CARTA INTERPOSTA	1	QUANTITÀ IN CARTONE CON CARTA INTERPOSTA
1	QUANTITÀ PER BOBINE, 3000	1	QUANTITÀ PER BOBINE, 3000	1	QUANTITÀ PER BOBINE, 3000
1	QUANTITÀ PER REEL, 3000	1	QUANTITÀ PER REEL, 3000	1	QUANTITÀ PER REEL, 3000
1	QUANTITÀ IN CARTONE CON CARTA INTERPOSTA	1	QUANTITÀ IN CARTONE CON CARTA INTERPOSTA	1	QUANTITÀ IN CARTONE CON CARTA INTERPOSTA
1	QUANTITÀ PER BOBINE, 2500	1	QUANTITÀ PER BOBINE, 2500	1	QUANTITÀ PER BOBINE, 2500
1	QUANTITÀ PER REEL, 2500	1	QUANTITÀ PER REEL, 2500	1	QUANTITÀ PER REEL, 2500

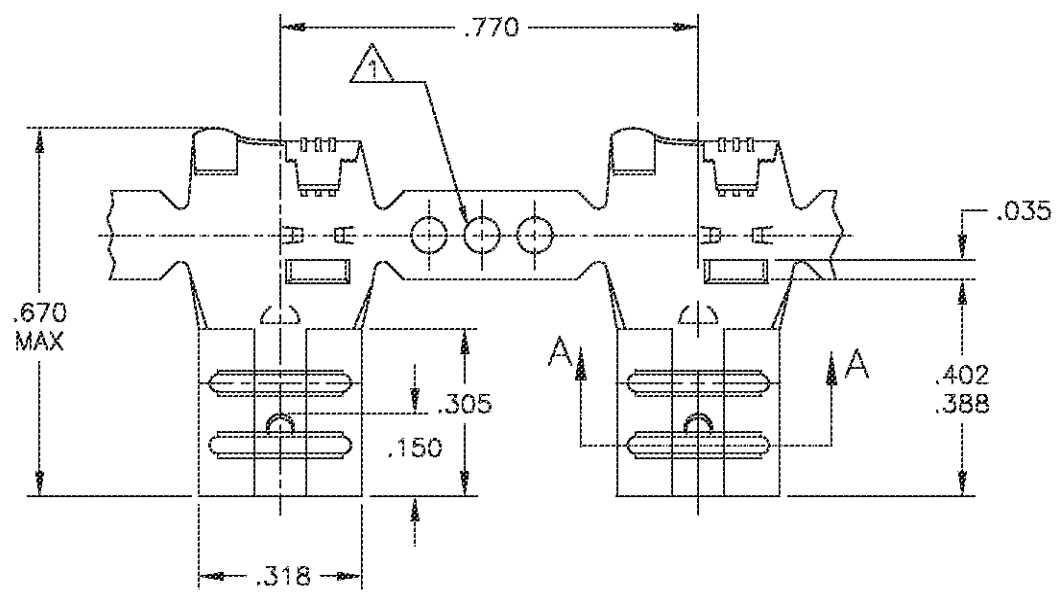
CUSTOMER Dwg. DESIGNO PER CLIENTE  
FOR REFERENCE ONLY SOLD PER RIFERIMENTO

AMP AMP ITALIA S.p.A. MILANO (ITALY)	2.3-3.3 0.5-1.5
--	--------------------

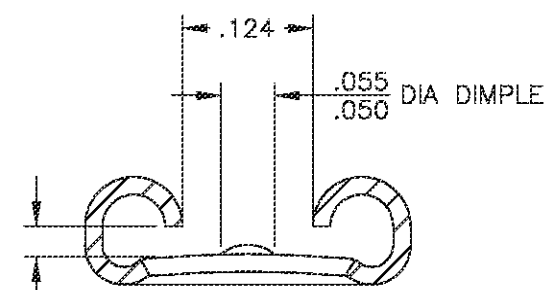
AMP AMP ITALIA S.p.A. MILANO (ITALY)	2.3-3.3 0.5-1.5
--	--------------------

THIS DRAWING IS UNPUBLISHED. RELEASED FOR PUBLICATION  
 © COPYRIGHT - By - ALL RIGHTS RESERVED.

LOG	DIST	REVISIONS					
AF	50	P	LTR	DESCRIPTION	DATE	DRN	APVD
		A		INITIAL RELEASE	27 JUN 2017	HG	TD

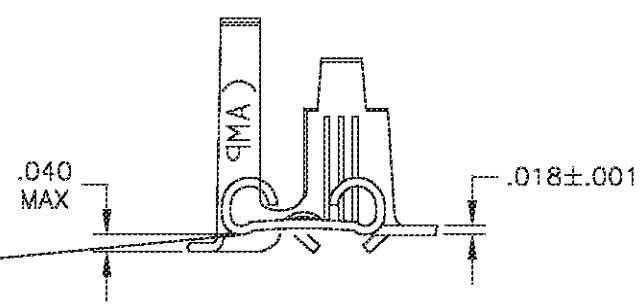


- 1 SINGLE OR DOUBLE PILOT HOLE OPTIONAL
- 2 SPLICES PRESENT ON REEL.
- 3 THIS DRAWING IS RESTRICT TO GREE



FITS .250 SERIES FASTON TAB

SECTION A-A  
SCALE 8:1



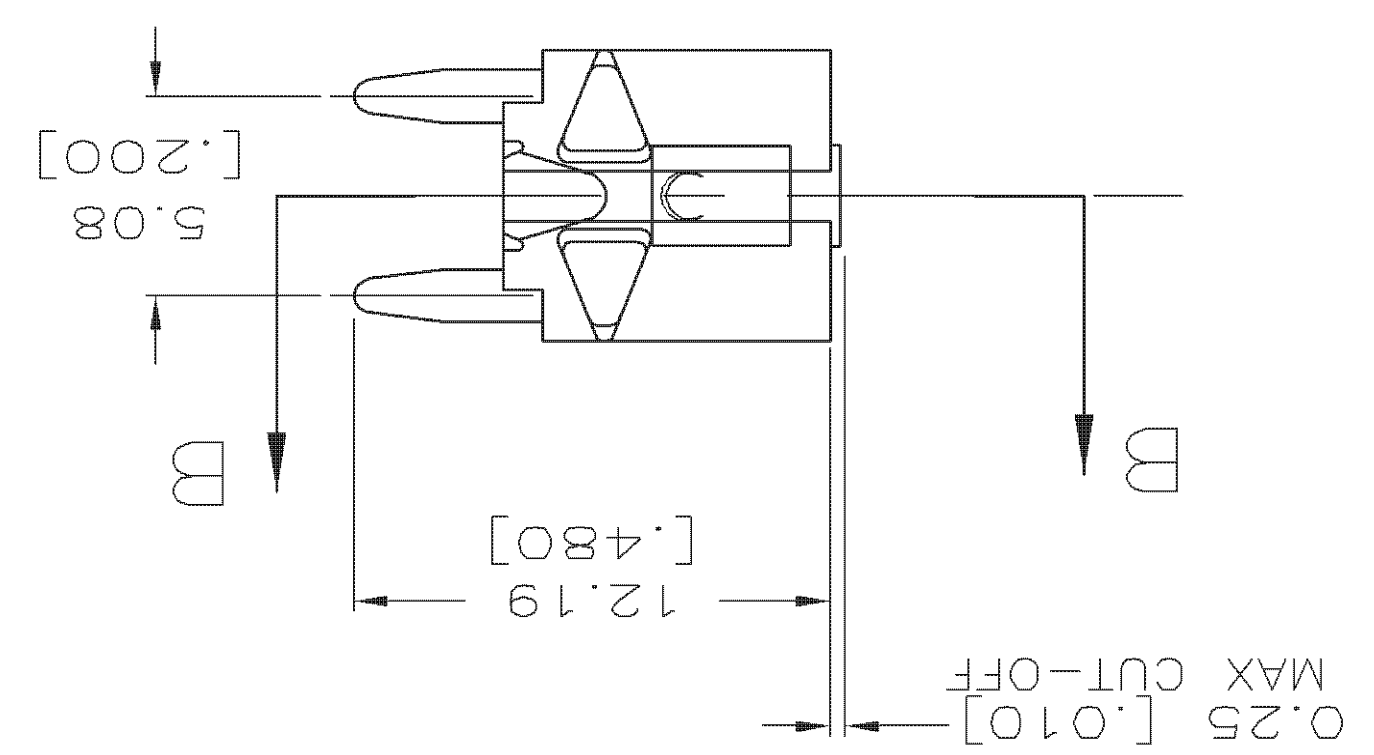
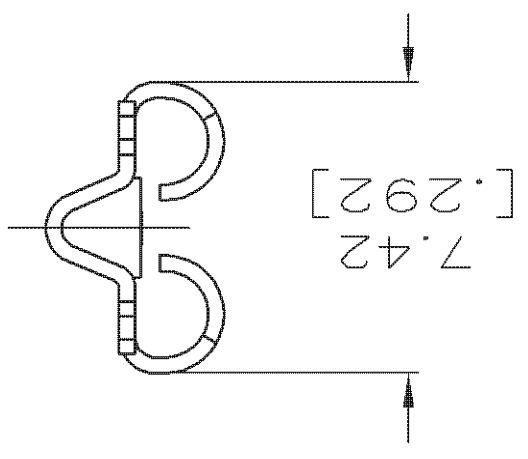
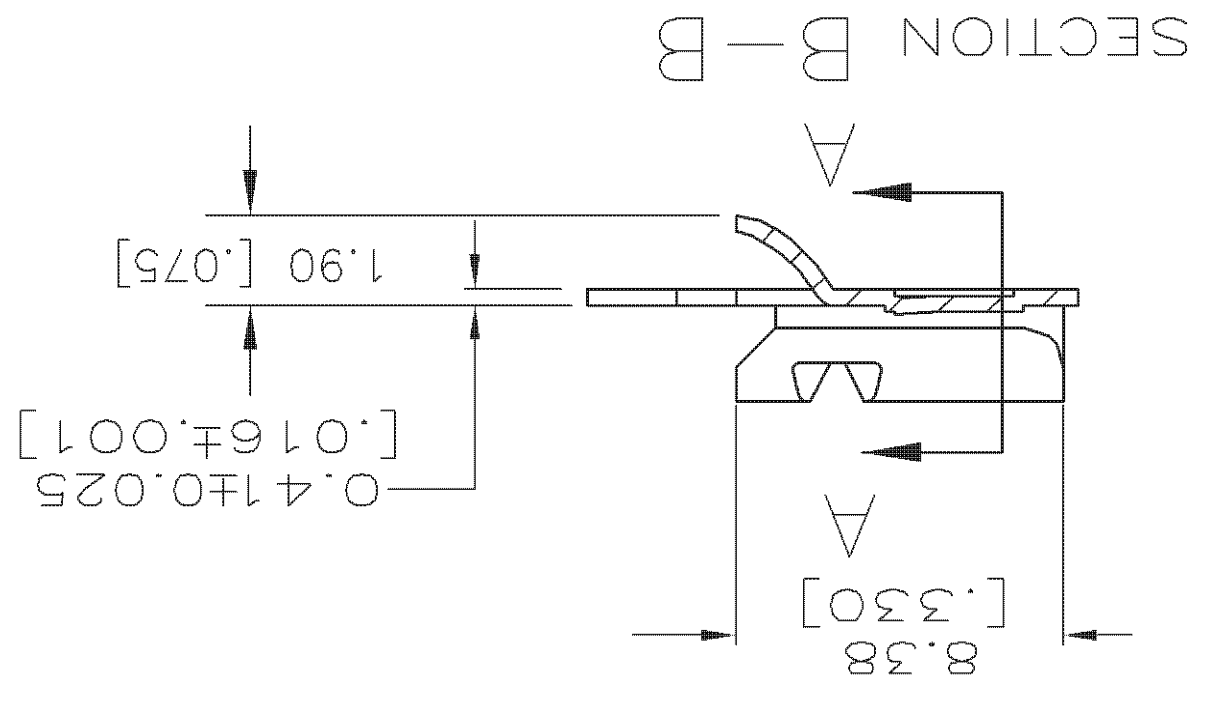
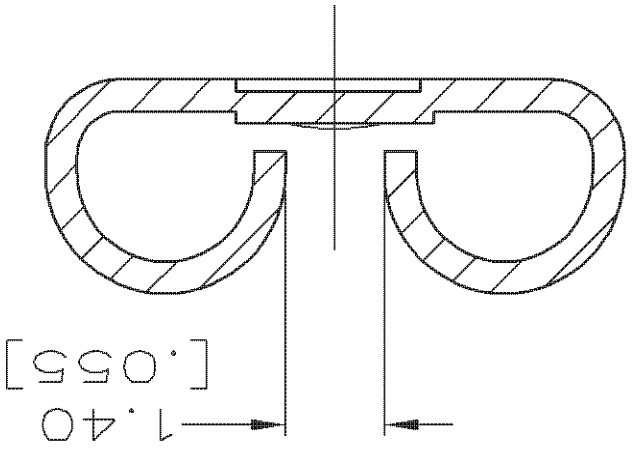
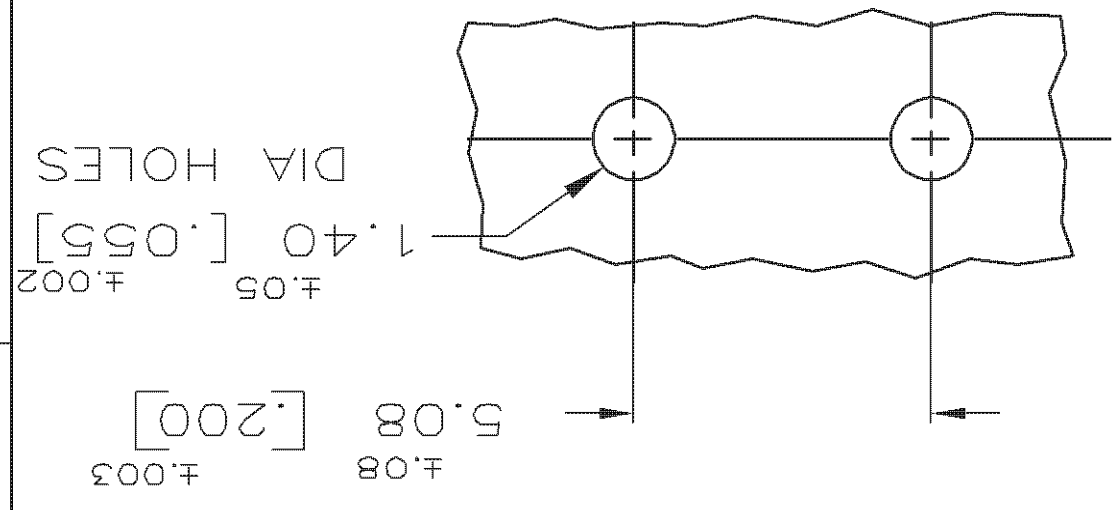
.110-.210	18-12	.032	41802-4
INSULATION RANGE	WIRE SIZE	MATING TAB	PART NO
THIS DRAWING IS A CONTROLLED DOCUMENT.		DRN HOGAN GUO 6/27/2017	
		DRK TIM DING 6/27/2017	
DIMENSIONS: INCHES		APVD TIM DING 6/27/2017	NAME
		PRODUCT SPEC	RECEPTACLE, FASTON, FLAG, .250 SERIES
0 PLC ± - 1 PLC ± - 2 PLC ± - 3 PLC ± .015 4 PLC ± - ANGLES ± - FINISH		APPLICATION SPEC	
MATERIAL BRASS	FINISH TIN	WEIGHT	RESTRICTED TO GREE
CUSTOMER DRAWING		SIZE A3	SCALE 4:1
		GAGE CODE 00779	DRAWING NO C=41802
		SHEET 1 OF 1	
		REV A	

CUSTOMER DRAWING		SCALE 4:1	SHEET 1 OF 1	REV B1
WEIGHT		SIZE A3	CAGE CODE 00779	DRAWING NO. 1217080
APPLICATION SPEC		RECEPTACLE, FASTON, 6.35/5.21 [2.50/2.05] SERIES, PC BOARD MOUNTED		
PRODUCT SPEC		NAME D BRATINA		
TOLERANCES UNLESS OTHERWISE SPECIFIED:		APVD 3/30/98		
0 PLC ±		CHK MS FEHER 3/30/98		
1 PLC ±		DWN JR RUTH 3/30/98		
2 PLC ± 0.25 [.010]		TE Connectivity		
3 PLC ±		PART NO. 1217080-1		
4 PLC ±		P.C.B. HOLES RECOMMENDED		
ANGLES ±		SECTION A-A SCALE 8:1		
FINISH		SECTION B-B		
MATERIAL HD4 BRASS		P.C.B. HOLES		

THIS DRAWING IS A CONTROLLED DOCUMENT.

PART NO. 1217080-1

P.C.B. HOLES RECOMMENDED



- 1 SUPPLIED IN LOOSE PIECE FORM.
- 2 0.00254 [.000100] MIN THK TIN OVER 0.00254 [.000100] MIN THK COPPER, OR OVER 0.00127 [.000050] MIN NICKEL.
- 3 MATING TAB THK IS 0.81 ±.025 [.032 ±.001].

AF	50	P	LTR	DESCRIPTION	DATE	DWN	APVD
LOC	DIST			REVISIONS			
		B1		REVISED PER ECO-11-005027	12MAR11	RK	HMR

THIS DRAWING IS UNPUBLISHED. RELEASED FOR PUBLICATION BY - - - - - ALL RIGHTS RESERVED.