

KC-Series — 25 kV Relays

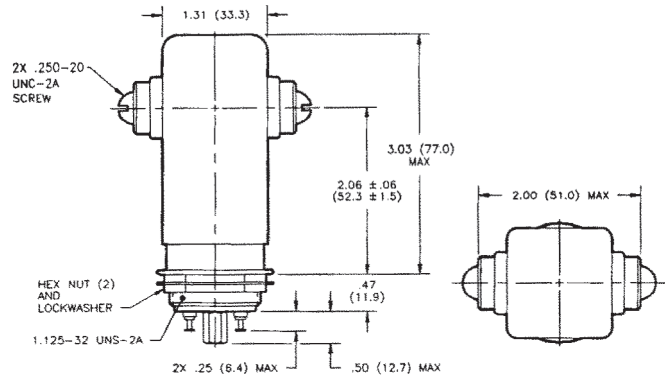
KC-22, KC-32 Make & Break Load Switching

Product Facts for KC-22

- Tungsten contacts for power switching

Product Facts for KC-32

- Normally closed version of KC-22
- Vacuum dielectric for power switching low current loads



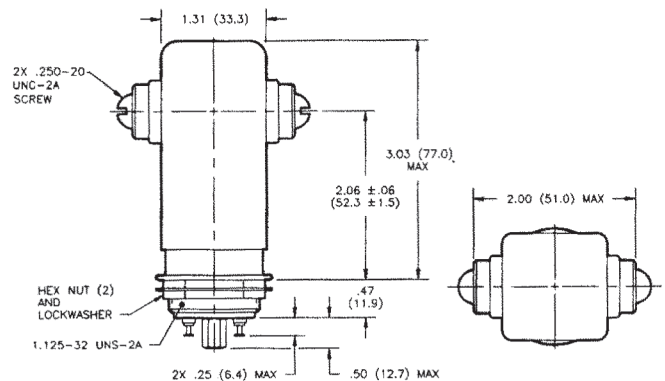
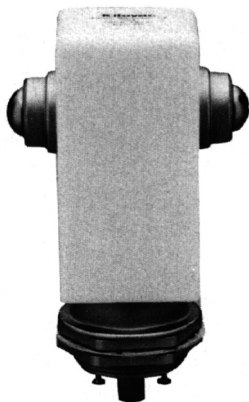
KC-28, KC-38 Make Only Load Switching

Product Facts for KC-28

- SF-6 gas-filled for capacitive discharge and “make only” applications
- Capable of switching 2000 Amps peak capacitive discharge for 400 nanoseconds

Product Facts for KC-38

- Normally closed version of KC-28
- SF-6 gas-filled for capacitive discharge and “make only” applications



Product Specifications for KC-22, KC-32, KC-28 & KC-38

- Contact Arrangement** —
 KC-22 and KC-28 — SPST-NO
 KC-32 and KC-38 — SPST-NC
- Contact Form** —
 KC-22 and KC-28 — X
 KC-32 and KC-38 — Y
- Test Voltage, DC or 60 Hz (Peak)** —
 28 kV
- Rated Operating Voltage (Peak)** —
 DC or 60 Hz — 25 kV

- Continuous Carry Current, Max.** —
 DC or 60 Hz — KC-22 — 65 A
 KC-32 — 45 A
 KC-28 — 30 A
 KC-38 — 15 A
 Coil Hi-Pot (Vrms, 60 Hz) — 500 A

- Contact Capacitance** —
 Between Open Contacts —
 KC-22 and KC-32 — 2.5 pF
 Open Contacts to Ground —
 KC-22 and KC-32 — 2.5 pF

- Contact Resistance, Max.** —
 KC-22 — 0.005 ohm
 KC-32 — 0.01 ohm
 KC-28 — 1.0 ohm*
 KC-38 — 1.0 ohm*

- Operate Time, Max.** — 18 ms

- Release Time, Max.** —
 KC-22 and KC-28 — 10 ms
 KC32 and KC-38 — 20 ms

- Shock, 11ms, 1/2 Sine (Peak)** —
 30 g

- Vibration** —
 Peak — 10 g (55 to 500 Hz)

- Operating Ambient Temperature Range** — -55°C to +125°C

- Mechanical Life** — 2 million cycles

- Weight, Nominal** — 340 g (12 oz.)

Coil Data

Volts, Nominal DC	12 V	26.5 V	115 V
Pickup, Max.	8 Vdc	16 Vdc	80 Vdc
Dropout	.5-5 Vdc	1-10 Vdc	5-50 Vdc
Coil Resistance (±10%)	24 Ω	120 Ω	2000 Ω

Ratings listed are for 25°C, sea level conditions

For factory-direct application assistance, dial 800-253-4560, ext. 2055, or 805-220-2055.

Ordering Information

Sample Part Number ▶

Series: _____

Model: _____

KC-22

KC-32

KC-28

KC-38

Coil Voltage: _____

Blank = 26.5 Vdc

/12Vdc = 12 Vdc

/115Vdc = 115 Vdc

KC- 22 /12Vdc