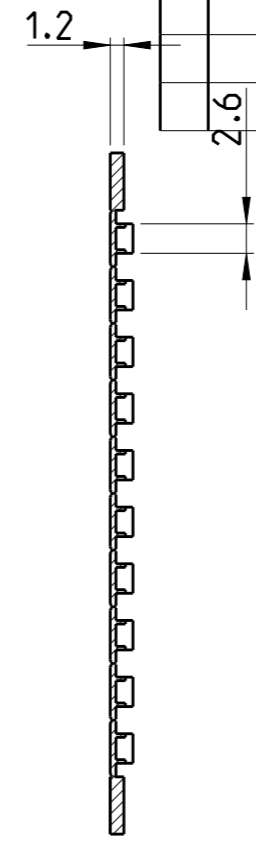
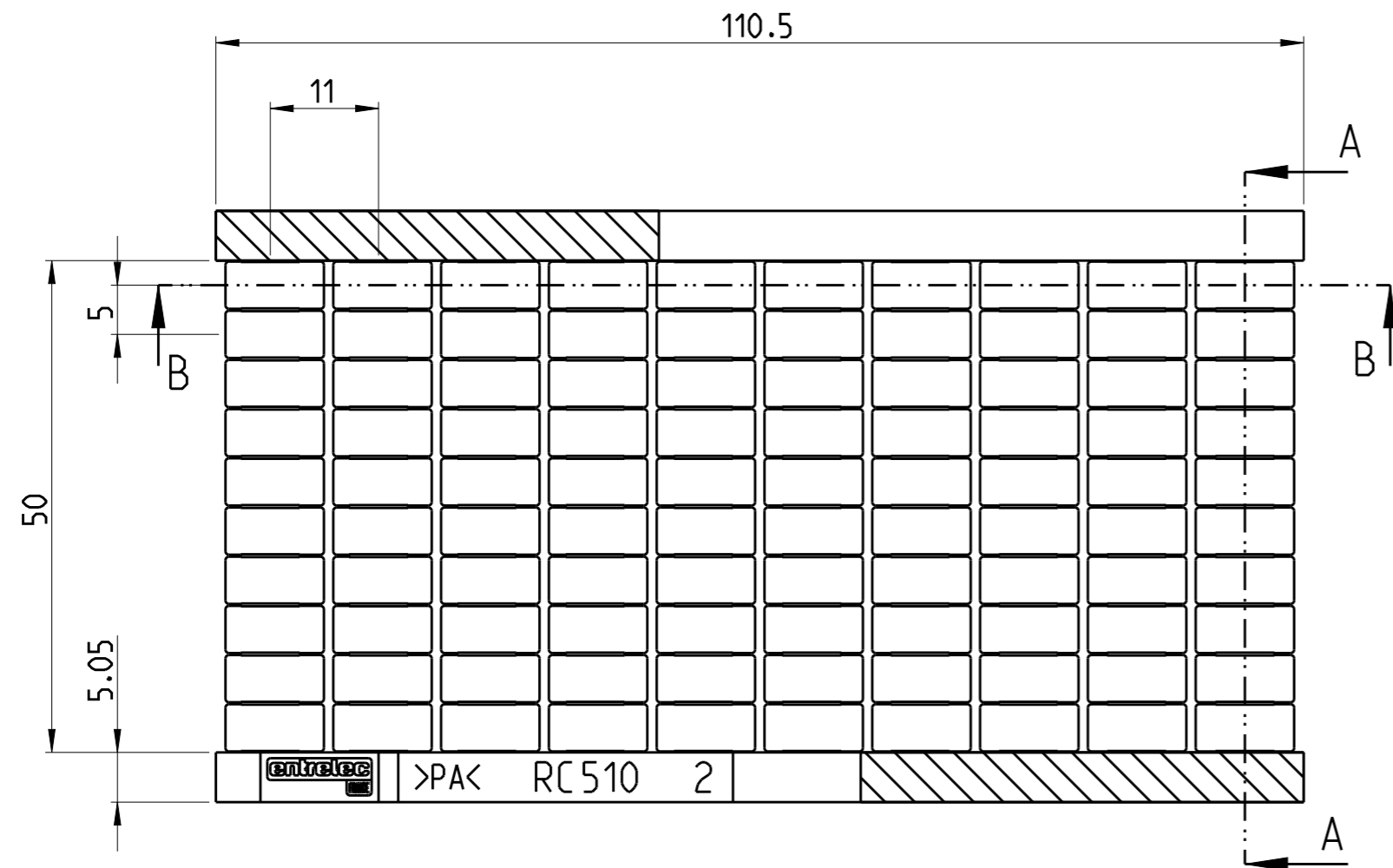
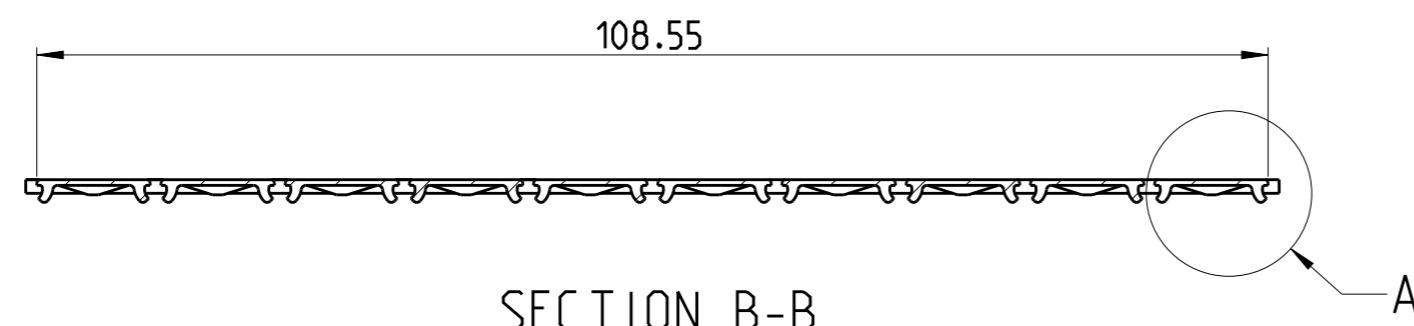
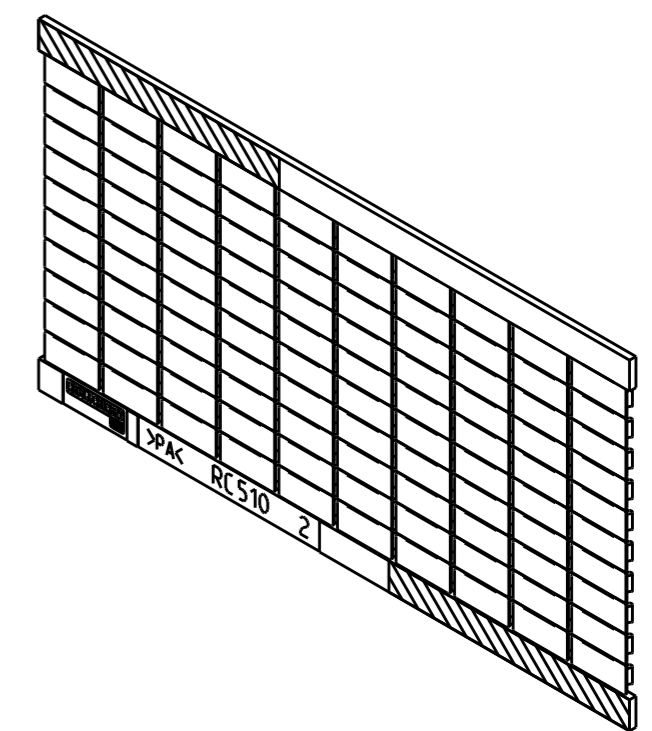


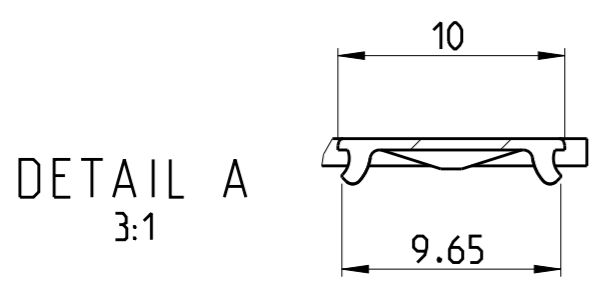
P	LTR	DESCRIPTION	DATE	DWN	APVD
A		First Released	06JAN2021	NN	VR



SECTION A-A



SECTION B-B



DETAIL A  
3:1

-	-	1SNA231000R0700
FINISH	MATERIAL	PART NO

THIS DRAWING IS A CONTROLLED DOCUMENT.		DWN Dyara Silva	16DEC2020	<b>TE</b> TE Connectivity	
DIMENSIONS: mm		CHK -	APVD -		
TOLERANCES UNLESS OTHERWISE SPECIFIED:		PRODUCT SPEC -		APPLICATION SPEC -	
0 PLC ±		WEIGHT -		SIZE A3	CAGE CODE 00779
1 PLC ±0.1		CUSTOMER DRAWING		DRAWING NO C=000065084-0100	RESTRICTED TO -
2 PLC ±0.01		SCALE 5:1		SHEET 1 OF 3	REV A
3 PLC ±0.001					
4 PLC ±0.0001					
ANGLES ±					
FINISH -					


© 2020 TE Connectivity. All Rights Reserved.

REVISIONS

P	LTR	DESCRIPTION	DATE	DWN	APVD
		SEE SHEET 1			

SL NO	PART NO	DESCRIPTION
1	1SNA231001R2400	RC510 0->9 (x10) Horizontal
2	1SNA231002R2500	RC510 1->10 (x10) Horizontal
3	1SNA231003R2600	RC510 11->20 (x10) Horizontal
4	1SNA231004R2700	RC510 21->30 (x10) Horizontal
5	1SNA231005R2000	RC510 31->40 (x10) Horizontal
6	1SNA231006R2100	RC510 41->50 (x10) Horizontal
7	1SNA231007R2200	RC510 51->60 (x10) Horizontal
8	1SNA231008R0300	RC510 61->70 (x10) Horizontal
9	1SNA231009R0400	RC510 71->80 (x10) Horizontal
10	1SNA231010R2000	RC510 81->90 (x10) Horizontal
11	1SNA231011R1500	RC510 91->100 (x10) Horizontal
12	1SNA231012R1600	RC510 101->110 (x10) Horizontal
13	1SNA231013R1700	RC510 111->120 (x10) Horizontal
14	1SNA231014R1000	RC510 121->130 (x10) Horizontal
15	1SNA231015R1100	RC510 131->140 (x10) Horizontal
16	1SNA231016R1200	RC510 141->150 (x10) Horizontal
17	1SNA231017R1300	RC510 151->160 (x10) Horizontal
18	1SNA231018R2400	RC510 161->170 (x10) Horizontal
19	1SNA231019R2500	RC510 171->180 (x10) Horizontal
20	1SNA231020R2200	RC510 181->190 (x10) Horizontal
21	1SNA231021R1700	RC510 191->200 (x10) Horizontal
22	1SNA231030R2400	RC510 1->100 Horizontal
23	1SNA231031R1100	RC510 101->200 Horizontal
24	1SNA231032R1200	RC510 201->300 Horizontal
25	1SNA231033R1300	RC510 301->400 Horizontal
26	1SNA231034R1400	RC510 401->500 Horizontal
27	1SNA231035R1500	RC510 501->600 Horizontal
28	1SNA231036R1600	RC510 601->700 Horizontal
29	1SNA231037R1700	RC510 701->800 Horizontal
30	1SNA231038R2000	RC510 801->900 Horizontal
31	1SNA231039R2100	RC510 901->1000 Horizontal
32	1SNA231040R0600	RC510 0->9 (x10) Vertical
33	1SNA231041R2300	RC510 1->10 (x10) Vertical
34	1SNA231042R2400	RC510 11->20 (x10) Vertical
35	1SNA231043R2500	RC510 21->30 (x10) Vertical
36	1SNA231044R2600	RC510 31->40 (x10) Vertical
37	1SNA231045R2700	RC510 41->50 (x10) Vertical
38	1SNA231046R2000	RC510 51->60 (x10) Vertical
39	1SNA231047R2100	RC510 61->70 (x10) Vertical
40	1SNA231048R0200	RC510 71->80 (x10) Vertical
41	1SNA231049R0300	RC510 81->90 (x10) Vertical
42	1SNA231050R0000	RC510 91->100 (x10) Vertical
43	1SNA231051R2500	RC510 101->110 (x10) Vertical

SL NO	PART NO	DESCRIPTION
44	1SNA231052R2600	RC510 111->120 (x10) Vertical
45	1SNA231053R2700	RC510 121->130 (x10) Vertical
46	1SNA231054R2000	RC510 131->140 (x10) Vertical
47	1SNA231055R2100	RC510 141->150 (x10) Vertical
48	1SNA231057R2300	RC510 161->170 (x10) Vertical
49	1SNA231058R0400	RC510 171->180 (x10) Vertical
50	1SNA231059R0500	RC510 181->190 (x10) Vertical
51	1SNA231060R0200	RC510 1->100 Vertical
52	1SNA231061R2700	RC510 101->200 Vertical
53	1SNA231062R2000	RC510 201->300 Vertical
54	1SNA231063R2100	RC510 301->400 Vertical
55	1SNA231064R2200	RC510 401->500 Vertical
56	1SNA231065R2300	RC510 501->600 Vertical
57	1SNA231066R2400	RC510 601->700 Vertical
58	1SNA231067R2500	RC510 701->800 Vertical
59	1SNA231068R0600	RC510 801->900 Vertical
60	1SNA231069R0700	RC510 901->1000 Vertical
61	1SNA231072R2200	RC510 191->200 (x10) Vertical
62	1SNA231111R1600	RC510 + (x100) Horizontal
63	1SNA231112R1700	RC510 - (x100) Horizontal
64	1SNA231114R1100	RC510 (x100) Horizontal
65	1SNA231115R1200	RC510 ground symbol (x100) Horizontal
66	1SNA231116R1300	RC510 L1 (x100) Horizontal
67	1SNA231117R1400	RC510 L2 (x100) Horizontal
68	1SNA231118R2500	RC510 L3 (x100) Horizontal
69	1SNA231119R2600	RC510 PE (x100) Horizontal
70	1SNA231131R1200	RC510 L1-L2-L3-N-PE (x20) Horizontal
71	1SNA231133R1400	RC510 1->20 alternate odd/even Vertical
72	1SNA231134R1500	RC510 21->40 alternate odd/even Vertical
73	1SNA231135R1600	RC510 41->60 alternate odd/even Vertical
74	1SNA231136R1700	RC510 61->80 alternate odd/even Vertical

THIS DRAWING IS A CONTROLLED DOCUMENT.		DWN 16DEC2020 Dyral Silva		
DIMENSIONS: mm		CHK -		
TOLERANCES UNLESS OTHERWISE SPECIFIED:		APVD -	NAME RC510	
0 PLC ±0.1		PRODUCT SPEC -	SIZE A3	
1 PLC ±0.01		APPLICATION SPEC -	CAGE CODE 00779	DRAWING NO C=000065084-0100
2 PLC ±0.001		WEIGHT -	RESTRICTED TO -	
3 PLC ±0.0001		CUSTOMER DRAWING	SCALE 5:1	SHEET 2 OF 3
4 PLC ±				REV A
ANGLES ±				
FINISH -				
MATERIAL -				


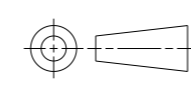
© 2020 TE Connectivity. All Rights Reserved.

REVISIONS

P	LTR	DESCRIPTION	DATE	DWN	APVD
		SEE SHEET 1			

SL NO	PART NO	DESCRIPTION
75	1SNA231150R0100	RC510 A (x100) Horizontal
76	1SNA231151R2600	RC510 B (x100) Horizontal
77	1SNA231152R2700	RC510 C (x100) Horizontal
78	1SNA231153R2000	RC510 D (x100) Horizontal
79	1SNA231154R2100	RC510 E (x100) Horizontal
80	1SNA231155R2200	RC510 F (x100) Horizontal
81	1SNA231156R2300	RC510 G (x100) Horizontal
82	1SNA231158R0500	RC510 I (x100) Horizontal
83	1SNA231160R0300	RC510 K (x100) Horizontal
84	1SNA231161R2000	RC510 L (x100) Horizontal
85	1SNA231163R2200	RC510 N (x100) Horizontal
86	1SNA231166R2500	RC510 Q (x100) Horizontal
87	1SNA231169R0000	RC510 T (x100) Horizontal
88	1SNA231173R2400	RC510 X (x100) Horizontal
89	1SNA231174R2500	RC510 Y (x100) Horizontal
90	1SNA231181R1500	RC510 B (x100) Vertical
91	1SNA231192R1000	RC510 M (x100) Vertical
92	1SNA231193R1100	RC510 N (x100) Vertical
93	1SNA231210R0500	RC510 O (x100) Horizontal
94	1SNA231211R2200	RC510 1 (x100) Horizontal
95	1SNA231212R2300	RC510 2 (x100) Horizontal
96	1SNA231213R2400	RC510 3 (x100) Horizontal
97	1SNA231214R2500	RC510 4 (x100) Horizontal
98	1SNA231215R2600	RC510 5 (x100) Horizontal
99	1SNA231216R2700	RC510 6 (x100) / 9 (x100) Horizontal
100	1SNA231217R2000	RC510 7 (x100) Horizontal
101	1SNA231218R0100	RC510 8 (x100) Horizontal
102	1SNA231220R0700	RC510 10 (x100) Horizontal
103	1SNA231221R2400	RC510 11 (x100) Horizontal
104	1SNA231222R2500	RC510 12 (x100) Horizontal
105	1SNA231223R2600	RC510 13 (x100) Horizontal
106	1SNA231224R2700	RC510 14 (x100) Horizontal
107	1SNA231225R2000	RC510 15 (x100) Horizontal
108	1SNA231226R2100	RC510 16 (x100) Horizontal
109	1SNA231227R2200	RC510 17 (x100) Horizontal
110	1SNA231228R0300	RC510 18 (x100) Horizontal
111	1SNA231229R0400	RC510 19 (x100) Horizontal
112	1SNA231230R0100	RC510 20 (x100) Horizontal
113	1SNA231113R1000	RC510 = (x100) Horizontal
114	1SNA231137R1000	RC510 81->100 alternate odd/even Vertica
115	1SNA231157R2400	RC510 H (x100) Horizontal
116	1SNA231159R0600	RC510 J (x100) Horizontal
117	1SNA231162R2100	RC510 M (x100) Horizontal

SL NO	PART NO	DESCRIPTION
118	1SNA231164R2300	RC510 O (x100) Horizontal
119	1SNA231165R2400	RC510 P (x100) Horizontal
120	1SNA231168R0700	RC510 S (x100) Horizontal
121	1SNA231170R0500	RC510 U (x100) Horizontal
122	1SNA231175R2600	RC510 Z (x100) Horizontal
123	1SNA231180R2000	RC510 A (x100) Vertical
124	1SNA231182R1600	RC510 C (x100) Vertical
125	1SNA231183R1700	RC510 D (x100) Vertical
126	1SNA231184R1000	RC510 E (x100) Vertical
127	1SNA231185R1100	RC510 F (x100) Vertical
128	1SNA231186R1200	RC510 G (x100) Vertical
129	1SNA231187R1300	RC510 H (x100) Vertical
130	1SNA231188R2400	RC510 I (x100) Vertical
131	1SNA231189R2500	RC510 J (x100) Vertical
132	1SNA231190R2200	RC510 K (x100) Vertical
133	1SNA231191R1700	RC510 L (x100) Vertical
134	1SNA231194R1200	RC510 O (x100) Vertical
135	1SNA231195R1300	RC510 P (x100) Vertical
136	1SNA231196R1400	RC510 Q (x100) Vertical
137	1SNA231197R1500	RC510 R (x100) Vertical
138	1SNA231198R2600	RC510 S (x100) Vertical
139	1SNA231199R2700	RC510 T (x100) Vertical
140	1SNA231200R1400	RC510 U (x100) Vertical
141	1SNA231201R0100	RC510 V (x100) Vertical
142	1SNA231202R0200	RC510 W (x100) Vertical
143	1SNA231203R0300	RC510 X (x100) Vertical
144	1SNA231204R0400	RC510 Y (x100) Vertical
145	1SNA231205R0500	RC510 Z (x100) Vertical
146	1SNA103890R2100	RC510-YL

THIS DRAWING IS A CONTROLLED DOCUMENT.		DWN 16DEC2020 Dyral Silva		
		CHK -		
DIMENSIONS: mm		TOLERANCES UNLESS OTHERWISE SPECIFIED: 0 PLC ±0.1 1 PLC ±0.01 2 PLC ±0.001 3 PLC ±0.0001 4 PLC ANGLES ±		NAME RC510
		MATERIAL - FINISH -		PRODUCT SPEC - APPLICATION SPEC - WEIGHT -
		CUSTOMER DRAWING		SIZE A3 CAGE CODE 00779 DRAWING NO C-000065084-0100 RESTRICTED TO -
		SCALE 5:1 SHEET 3 OF 3 REV A		