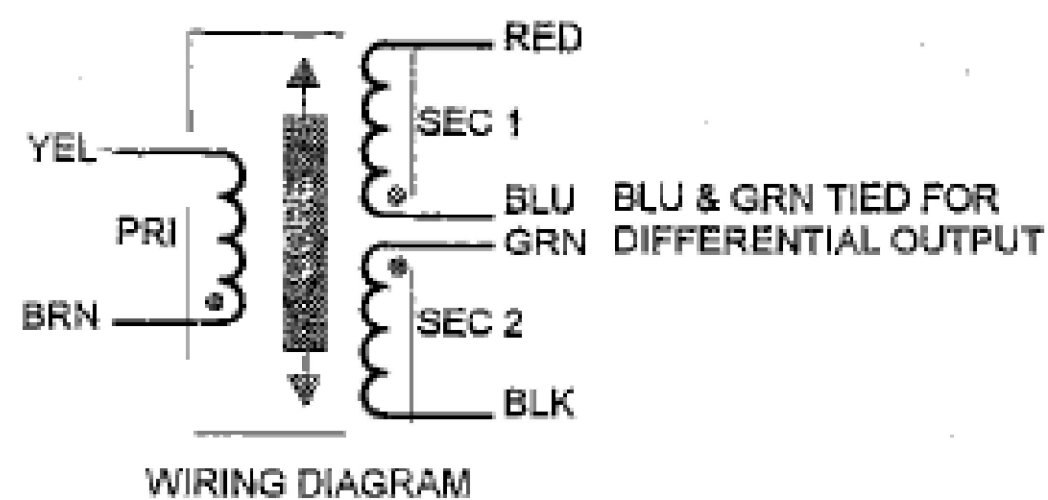
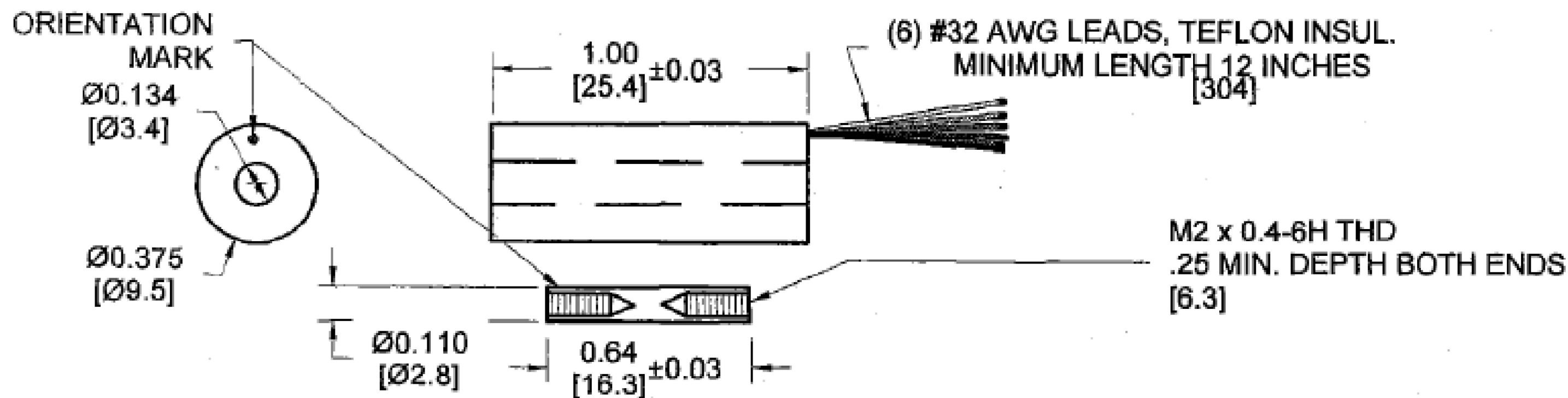


REVISIONS				
P	LTR	DESCRIPTION	DATE	APVD
-	-	-	-	-

**SPECIFICATIONS**

INPUT VOLTAGE: 3.0 rms  
 INPUT FREQUENCY: 2.5 kHz  
 ELECTRICAL STROKE: ± 0.100" [2.54]  
 SENSITIVITY: 1.5 mV / VOLT / .001" ±20%  
 SENSITIVITY: 59 mV / VOLT / m m  
 NON-LINEARITY: ± 0.25 % OF FULL RANGE  
 PHASE SHIFT: +18°  
 PRIMARY IMPEDANCE: 310 OHMS  
 SECONDARY IMPEDANCE: 130 OHMS  
 OPERATING TEMPERATURE: 0 TO 221° F  
 SHOCK SURVIVAL: 1000 g's, 11 ms  
 VIBRATION (DC TO 2000 Hz): 30 g's rms

REVISIONS			
REV.	DESCRIPTION	DATE	APPR.



MATERIAL:

UNLESS OTHERWISE SPECIFIED ALL DIMENSIONS ARE IN INCHES TOLERANCES ARE: ANGLES: ± 0.5 DEG. FRACTIONS: ± 1/64 DECIMAL: XX = ± 0.01 XXX = ± 0.005	DRAFTSMAN: R.E.A.	DATE: 24 SEP 99	<b>Macro Sensors</b> Div. of Howard A. Schwabitz Technologies, Inc.		
	CHECKER:	DATE:			TITLE: CD 375 100-006 OUTLINE
	APPROVED:	DATE:	A	C.A.G.E. No. 06WWW	DRAWING No. 010912360006
	APPROVED:	DATE:	SCALE: NONE	SHEET No. 1 of 1	

THIS DRAWING IS A CONTROLLED DOCUMENT.		DWN	-		TE Connectivity		
DIMENSIONS: INCHES		CHK	-		NAME: CD 375 100-006 OUTLINE		
		APVD	-		PRODUCT SPEC: -		
TOLERANCES UNLESS OTHERWISE SPECIFIED:		APPLICATION SPEC	-		RESTRICTED TO: -		
MATERIAL: -		WEIGHT	A2	SIZE: A2	CAGE CODE: 00779	DRAWING NO: C=010912360006	
FINISH: -		CUSTOMER DRAWING	SCALE: NTS	SHEET: 1 of 1	REV: -		