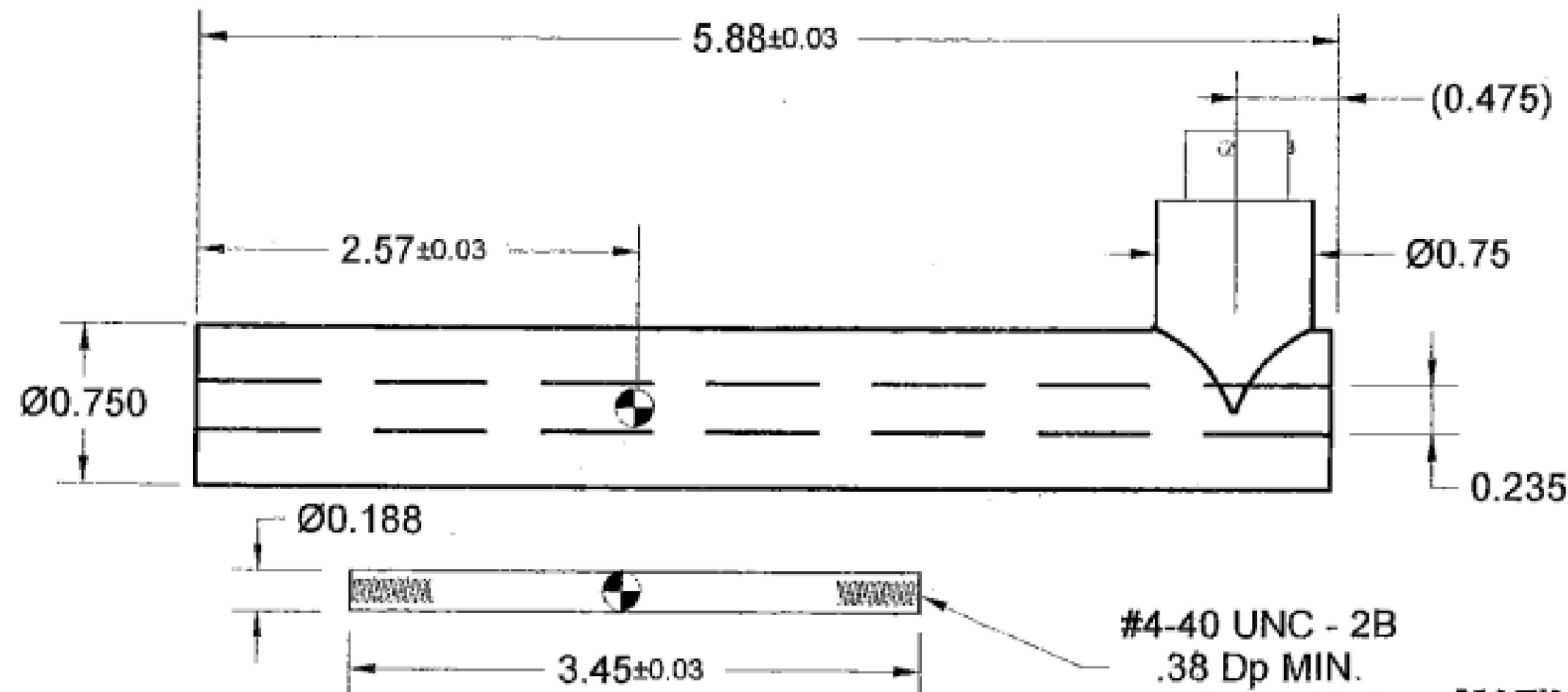


REVISIONS				
P	LTR	DESCRIPTION	DATE	APVD
-	-	-	-	-

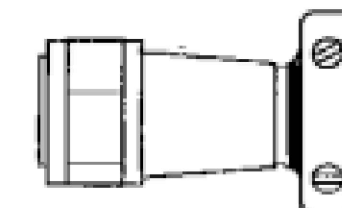
SPECIFICATIONS

INPUT VOLTAGE: 3.0 V rms (NOM)
 INPUT FREQUENCY: 2.5 KHz (NOM)
 ELECTRICAL STROKE: ± 0.500 INCHES
 SENSITIVITY: 0.65 mV/VOLT/ .001 INCH
 NON-LINEARITY: ± 0.25 % OF FULL RANGE (MAX)
 PHASE SHIFT: -1°
 IMPEDANCE:
 PRIMARY: 1200 Ω (NOM)
 SECONDARY: 650 Ω (NOM)
 OPERATING TEMPERATURE: 0° TO 221° F
 SHOCK SURVIVAL: 1000 g's, 11ms
 VIBRATION (20 UP TO 2000 Hz): 20 g's rms

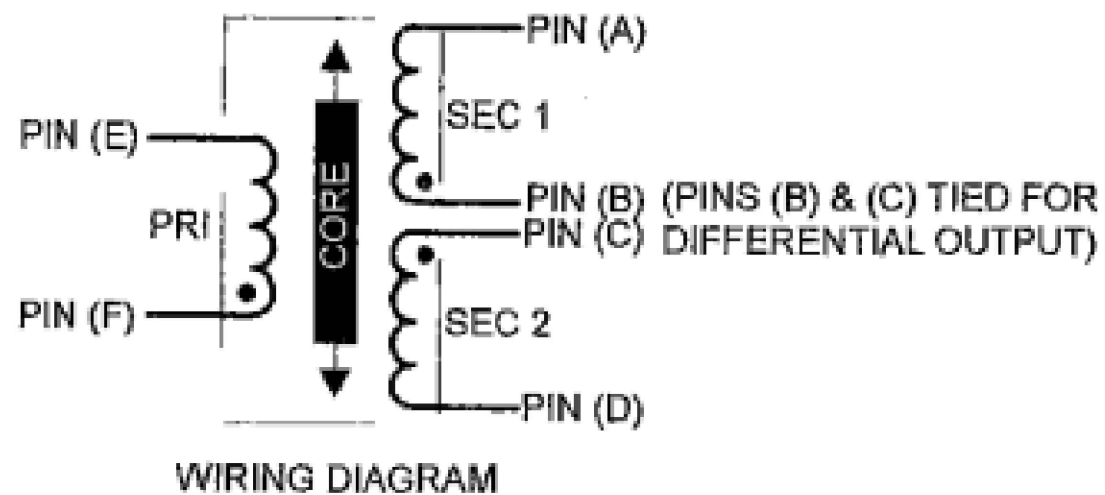
REVISIONS			
REV.	DESCRIPTION	DATE:	APPR.



#4-40 UNC - 2B
 .38 Dp MIN.
 BOTH ENDS



MATING CONNECTOR SUPPLIED



⊙ DENOTES CENTER OF CORE AT ELECTRICAL MID POINT

UNLESS OTHERWISE SPECIFIED ALL DIMENSIONS ARE IN INCHES TOLERANCES ARE: ANGLES: ± 0.5 DEG. FRACTIONS: ± 1/64 DECIMAL: .XX = ± .01 .XXX = ± .005 This Drawing and Specifications are the property of Macro Sensors, Div. of Howard A. Schaeffler Technologies, Inc. DO NOT COPY without the written approval of Macro Sensors.	DRAFTSMAN: R.E.A.	DATE: 15 MAY 00	Macro Sensors Div. of Howard A. Schaeffler Technologies, Inc.	
	CHECKER:	DATE:		
	APPROVED:	DATE:	TITLE HSAR 750 500 OUTLINE	
	APPROVED:	DATE:	G.A.G.E. No. A 06WV0	DRAWING No. 010915030000
FINISH:	APPROVED:	DATE:	SCALE: NONE	SHEET No. 1 of 1

MATERIAL:

THIS DRAWING IS A CONTROLLED DOCUMENT.		DWN	-		
DIMENSIONS: INCHES		CHK	-		
TOLERANCES UNLESS OTHERWISE SPECIFIED:		APVD	-	NAME	
0 PLC ± -	1 PLC ± -	PRODUCT SPEC	-	HSAR 750 500 OUTLINE	
2 PLC ± -	3 PLC ± -	APPLICATION SPEC	-	SIZE	CAGE CODE
4 PLC ± -	ANGLES ± -	WEIGHT	-	A2	00779
MATERIAL	FINISH	CUSTOMER DRAWING	-	DRAWING NO.	RESTRICTED TO
			SCALE	NTS	SHEET 1 of 1
			SCALE	NTS	REV -