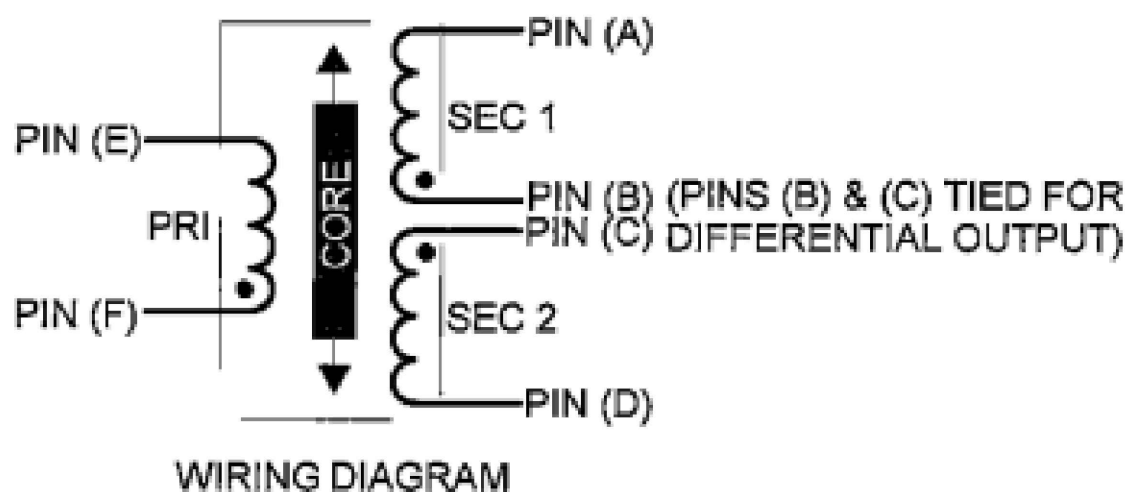
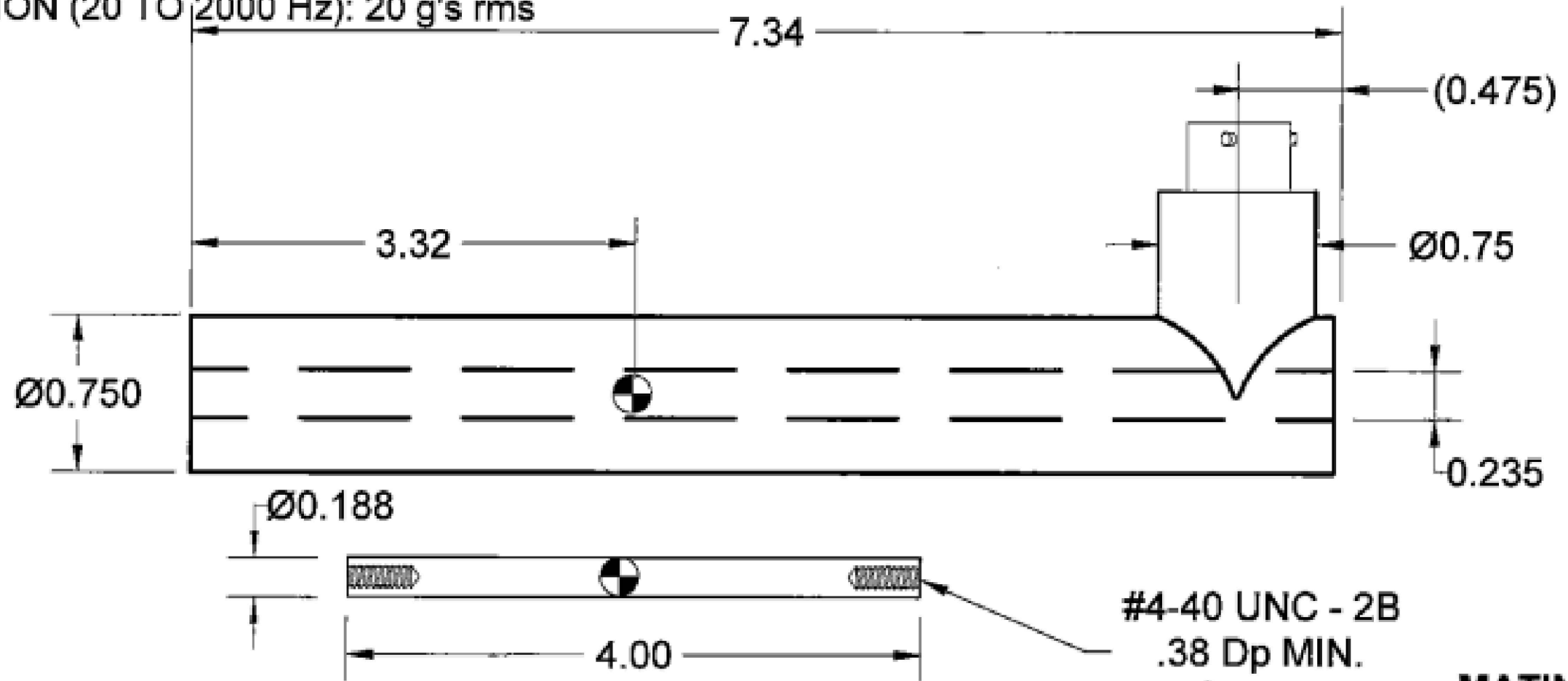


REVISIONS				
P	LTR	DESCRIPTION	DATE	APVD
-	-	-	-	-

SPECIFICATIONS

INPUT VOLTAGE: 3.0 V rms (NOM)
 INPUT FREQUENCY: 2.5 kHz (NOM)
 ELECTRICAL STROKE: +/- 1.000"
 SENSITIVITY: 0.34 mV/VOLT/0.001"
 LINEARITY: 0.25% OF FULL RANGE (MAX)
 PHASE SHIFT: +2 DEG.
 IMPEDANCE:
 PRIMARY: 785 OHMS (NOM)
 SECONDARY: 305 OHMS (NOM)
 OPERATING TEMPERATURE: -20° TO 300° F
 REPEATABILITY: 0.00002"
 SHOCK SURVIVAL: 1000 g's, 11ms
 VIBRATION (20 TO 2000 Hz): 20 g's rms

REVISIONS			
REV.	DESCRIPTION	DATE:	APPR.
A	REVISED PER ECR/ECN # 438	11/29/01	R.E.A.



⊗ DENOTES CENTER OF CORE AT ELECTRICAL MID POINT

UNLESS OTHERWISE SPECIFIED ALL DIMENSIONS ARE IN INCHES TOLERANCES ARE: ANGLES: +/- 0.5 DEG. FRACTIONS: +/- 1/64 DECIMAL: +/- 0.001	DRAFTSMAN: R.E.A.	DATE: 15 MAY 00	Macro Sensors Div. of Howard A. Schaevitz Technologies, Inc.	
	CHECKER: .	DATE:		
	APPROVED:	DATE:	TITLE HSAR 750 1000 OUTLINE	
	APPROVED:	DATE:	A	C.A.G.E. No. 06WW0
FINISH:	APPROVED:	DATE:	SCALE: NONE	SHEET No. 1 of 1

MATERIAL:

THIS DRAWING IS A CONTROLLED DOCUMENT.		DWN	-	TE TE Connectivity	
DIMENSIONS: INCHES		CHK	-		
TOLERANCES UNLESS OTHERWISE SPECIFIED:		APVD	-	NAME HSAR 750 1000 OUTLINE	
0 PLC ± -		PRODUCT SPEC	-	SIZE A2	
1 PLC ± -		APPLICATION SPEC	-	CAGE CODE 00779	DRAWING NO. 010915040000
2 PLC ± -		WEIGHT	-	RESTRICTED TO	-
3 PLC ± -		CUSTOMER DRAWING	-	SCALE NTS	SHEET 1 of 1
4 PLC ± -				REV A	
ANGLES ± -					