

4

3

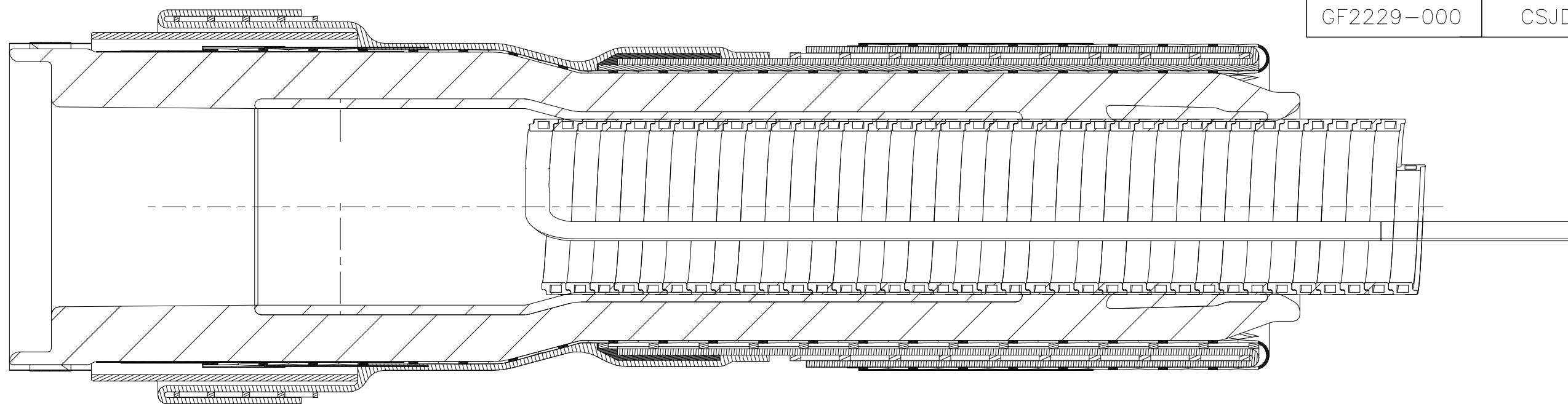
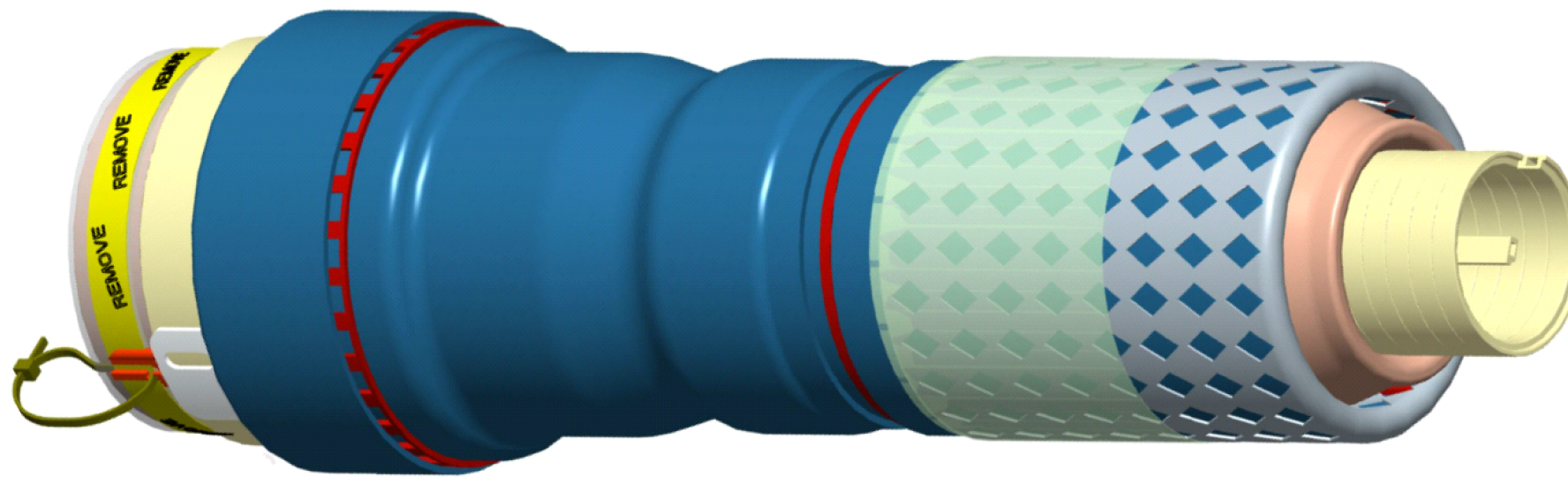
2


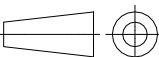
1

© - TE Connectivity. All Rights Reserved.

REVISIONS				
P	LTR	DESCRIPTION	DATE	APVD
1		NEW DRAWING	02MAR222	GSK RS

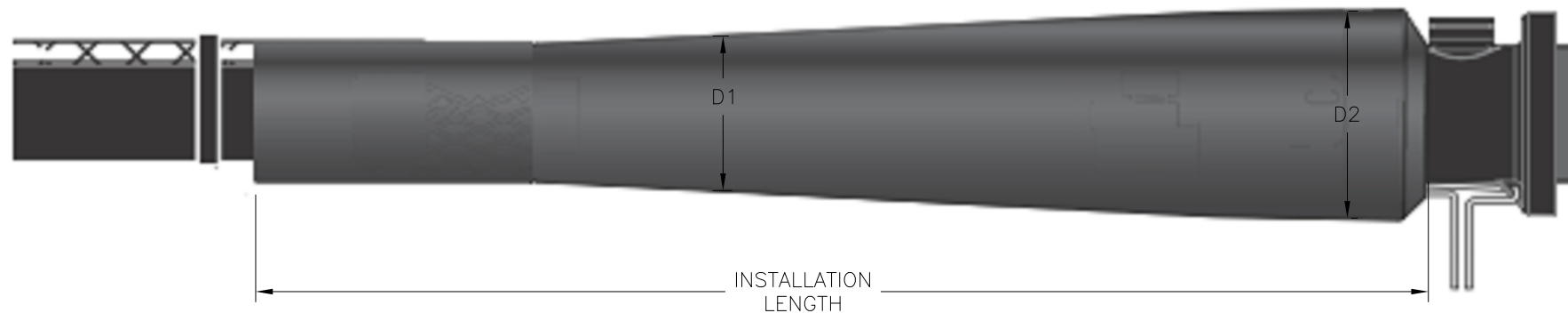
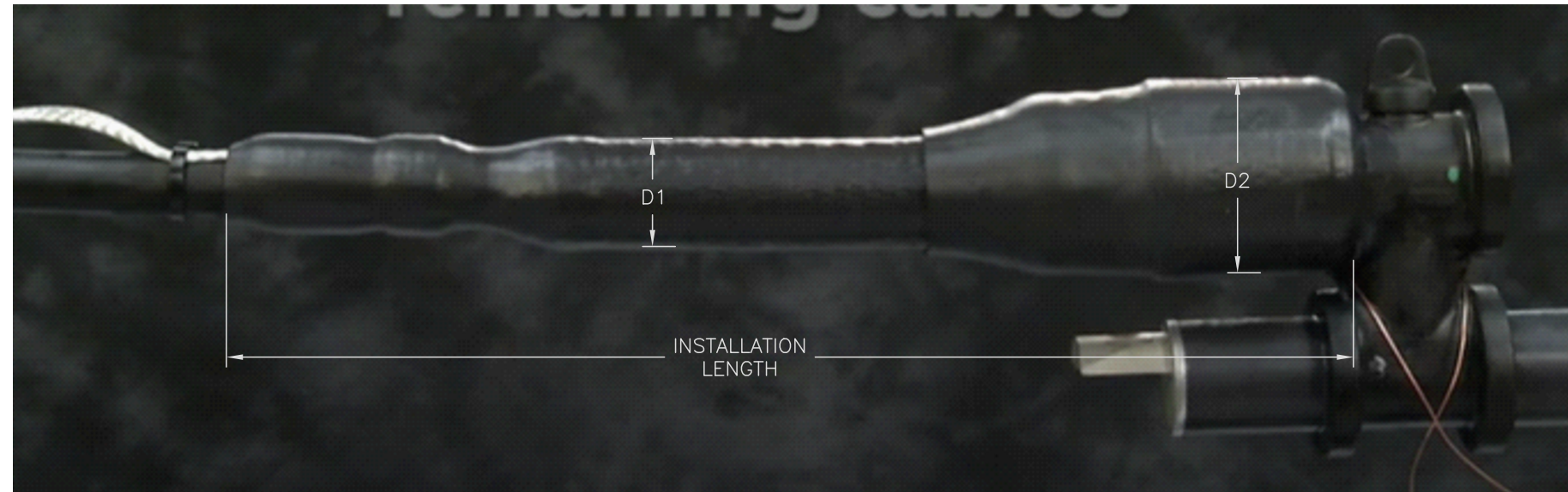
PART NUMBER	DESCRIPTION
BM0408-000	CSJD-15/25-H-BUSX
FG1533-000	CSJD-2824-A4
GF2221-000	CSJD-2823-C2
GF2223-000	CSJD-1521-C2
GF2224-000	CSJD-2823-C3
GF2225-000	CSJD-2824-C4
GF2226-000	CSJD-1523-C3
GF2227-000	CSJD-1524-C4
GF2228-000	CSJD-2824-C5
GF2229-000	CSJD-1521-C1



THIS DRAWING IS A CONTROLLED DOCUMENT.		DWN 02MAR2022 SATHISH KUMAR G	 TE Connectivity	
DIMENSIONS: mm [INCHES]		CHK 02MAR2022 RAMÓN SÁNCHEZ		
TOLERANCES UNLESS OTHERWISE SPECIFIED:		APVD 02MAR2022 RAMÓN SÁNCHEZ	NAME CSJD Cold Applied Joint DISCON ASSY (SIZE: 14mm BODY)	
		PRODUCT SPEC -	SIZE A3	
MATERIAL -		FINISH -	CAGE CODE 00779	DRAWING NO C-0148-CSJD
		APPLICATION SPEC -	RESTRICTED TO -	
		WEIGHT -	SCALE NTS	
		CUSTOMER DRAWING	SHEET 1 of 3 REV 1	


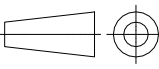
REVISIONS

P	LTR	DESCRIPTION	DATE	DWN	APVD
-	-	SEE SHEET 1	-	-	-



DIAMETER D1: DEPENDS ON CABLE DIAMETER  
 DIAMETER D2: 110 mm  
 INSTALLED LENGTH: 590mm

VOLTAGE CLASS	CATALOG NUMBER	KIT INSTALLED LENGTH (MM-IN)	KIT INSTALLED LENGTH (MM-IN)
15 kV	CSJD-1521-A1	610 (24)	838 (33)
15 kV	CSJD-1523-A2	610 (24)	838 (33)
15 kV	CSJD-1524-A3	610 (24)	838 (33)
28 kV	CSJD-2821-A1	610 (24)	838 (33)
28 kV	CSJD-2823-A1	610 (24)	838 (33)
28 kV	CSJD-2823-A2	610 (24)	838 (33)
28 kV	CSJD-2824-A2	610 (24)	838 (33)
28 kV	CSJD-2824-A3	610 (24)	838 (33)

THIS DRAWING IS A CONTROLLED DOCUMENT.		DWN 02MAR2022 SATHISH KUMAR G	 TE Connectivity	
		CHK 02MAR2022 RAMÓN SÁNCHEZ		
DIMENSIONS: mm [INCHES]		TOLERANCES UNLESS OTHERWISE SPECIFIED:		NAME CSJD Cold Applied Joint DISCON ASSY (SIZE: 14mm BODY)
		0 PLC ± - 1 PLC ± - 2 PLC ± - 3 PLC ± - 4 PLC ± - ANGLES ± -		
MATERIAL		FINISH		PRODUCT SPEC APPLICATION SPEC WEIGHT
				SIZE A3 CAGE CODE 00779 DRAWING NO C-0148-CSJD RESTRICTED TO -
CUSTOMER DRAWING			SCALE NTS	SHEET 2 of 3
			REV 1	

4

3

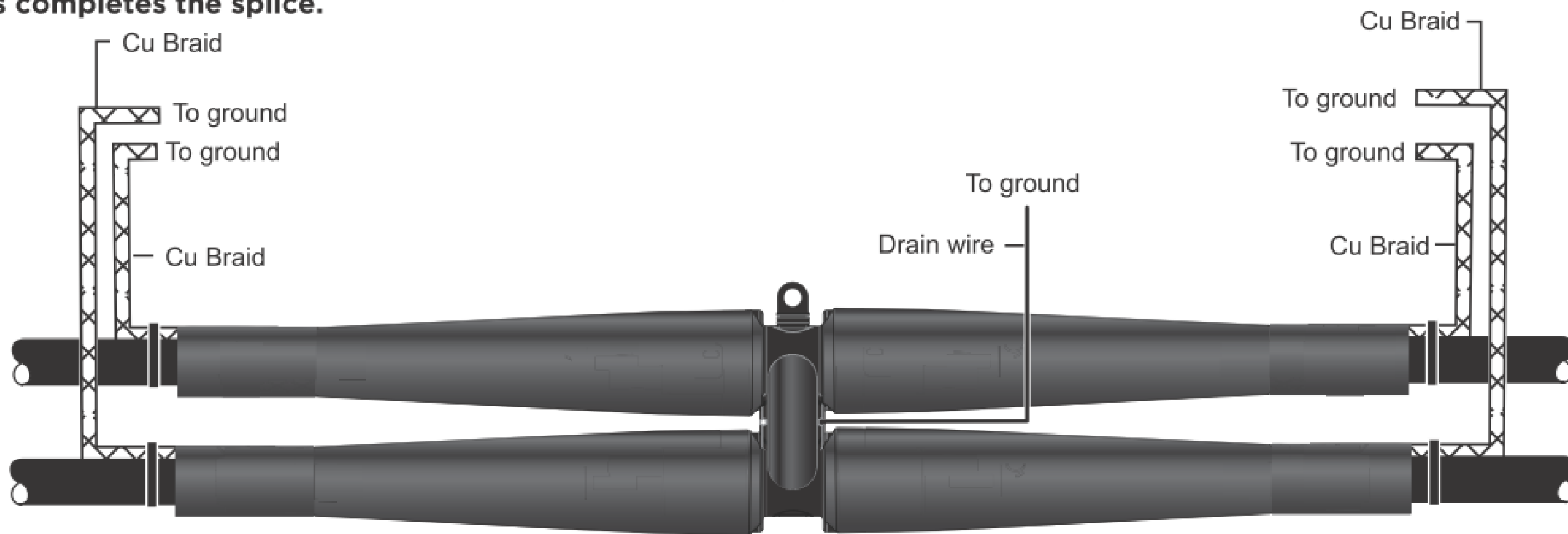
2


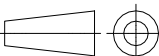
1

REVISIONS

P	LTR	DESCRIPTION	DATE	DWN	APVD
-	-	SEE SHEET 1	-	-	-

This completes the splice.



THIS DRAWING IS A CONTROLLED DOCUMENT.		DWN 02MAR2022 SATHISH KUMAR G	 TE Connectivity	
DIMENSIONS: mm [INCHES]		CHK 02MAR2022 RAMÓN SÁNCHEZ		
TOLERANCES UNLESS OTHERWISE SPECIFIED:		APVD 02MAR2022 RAMÓN SÁNCHEZ	NAME CSJD Cold Applied Joint DISCON ASSY (SIZE: 14mm BODY)	
		PRODUCT SPEC -	RESTRICTED TO -	
MATERIAL -		FINISH -	APPLICATION SPEC -	WEIGHT
		SIZE A3 00779		CAGE CODE C-0148-CSJD
		CUSTOMER DRAWING		SCALE NTS
		SHEET 3 of 3		REV 1