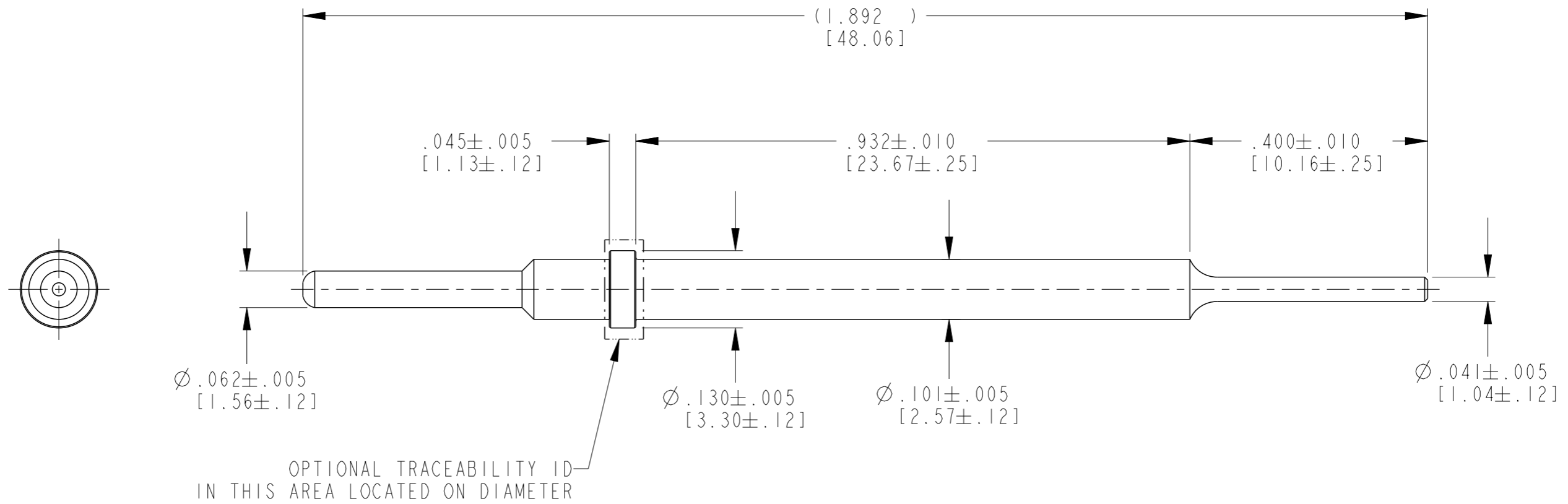


REVISIONS

P	LTR	DESCRIPTION	DATE	DWN	APVD
	NC	NEW RELEASE PER E.O. P19398	14NOV2020	JA	RR
	A	REVISED PER PCN-20-014698	11NOV2020	CL	IG



OPTIONAL TRACEABILITY ID IN THIS AREA LOCATED ON DIAMETER

TE INTERNAL PN	DEUTSCH PN	PLATING
0460-244-1631	0460-244-1631	GOLD
0460-244-16141	0460-244-16141	NICKEL

1. FOR CONTACT APPLICATION, SEE INSTRUCTION SHEET 408-151078.

NOTES:

THIS DRAWING IS A CONTROLLED DOCUMENT.		DWN J. APOSTOL 24OCT2006	<b>STE</b> TE Connectivity	
DIMENSIONS: INCHES [mm]		CHK B. BYFORD 02NOV2006		
TOLERANCES UNLESS OTHERWISE SPECIFIED:		APVD R. REED 17NOV2006	NAME CONTACT PIN SIZE 16 EXTENSION	
0 PLC ±		PRODUCT SPEC -	APPLICATION SPEC 1	
1 PLC ±		SIZE A3 CAGE CODE 4AFU8 DRAWING NO. 0460-244-16XX RESTRICTED TO -		
2 PLC ±		WEIGHT 1.5g		
3 PLC ±		CUSTOMER DRAWING		
4 PLC ±		SCALE 5:1 SHEET 1 OF 1 REV A		
ANGLES ±				
FINISH SEE TABLE				