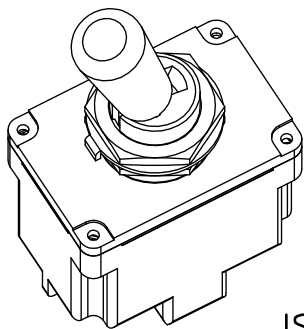
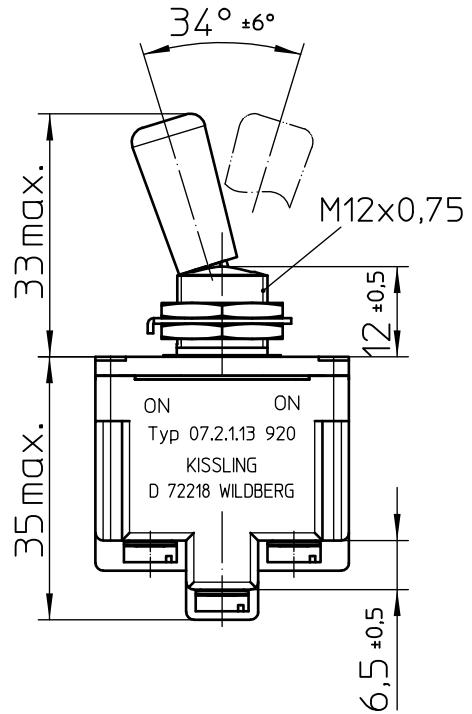
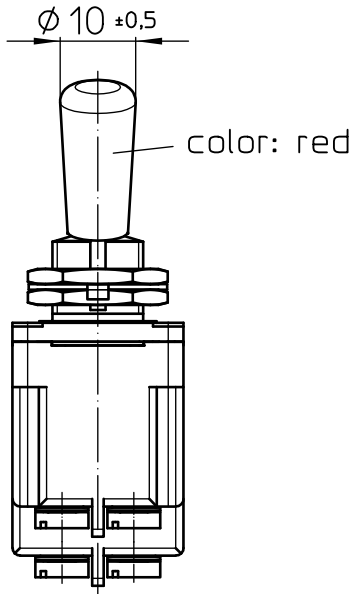
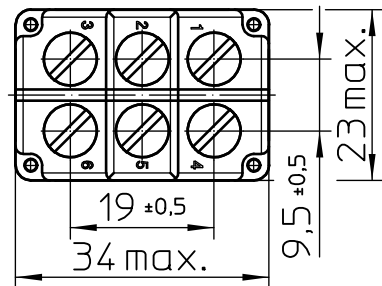


keyway

opposite keyway



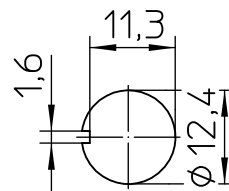
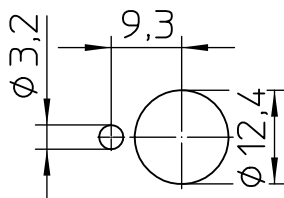
ISO



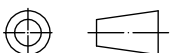
Mounting Detail

with locking ring

without locking ring

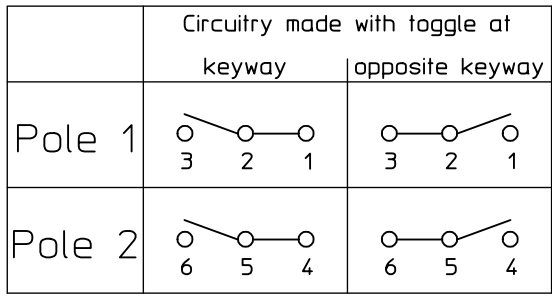


Third Angle Projection



	Date	Name	mm	Scale	 Elektrotechnik - GmbH & Co KG D - 72218 Wildberg	Drawing No:
Drawn	04.02.2004	Braun		1:1		07-2-1-13 920
Check	02.12.2005	Braun	General Tolerances DIN ISO 2768 mK			NSN.:

Circuit Diagram



Actuation

locking keyway side
locking opposite keyway side

Construction

Material, Casing Thermoplast GF
 Material, Cover GD-ZnAl4Cu1
 Connections Screws M3,5x6 ISO 1580
 Protection Interior IP 6K5 DIN 40 050 Part 9
 Connections IP 00 DIN 40 050 Part 9

Mechanical Data

Current carrying parts CuZn-Alloy
 Contacts Ag
 Ambient Temperature Range -35°C to +60°C
 Storage Temperature Range -35°C to +80°C
 Life Cycle iaw VG 95 210 Part 21, grade H 100.000 operations

Electrical Data

Voltage 12 V DC ohmic Load 20A
 28 V DC ohmic Load 20A
 28 V DC inductive Load at L/R = 5 ms 15A
 28 V DC lamp Load 7A
 115 V AC ohmic Load 15A
 115 V AC inductive Load cos. φ = 0,75, 15A
 115 V AC lamp Load 4A
 Motor Load utilisation category AC3 (see DIN VDE 0660 Part 107) 5A

Min. Rating 12 V DC, 20 mA

It is recommended to use gold-plated contacts
for lower currents or voltages.

	Date	Name	mm ←	Scale 1:1		Drawing No: 07-2-1-13 920
Drawn	04.02.2004	Braun	General Tolerances			
Check	04.02.2004	Stock				NSN.: