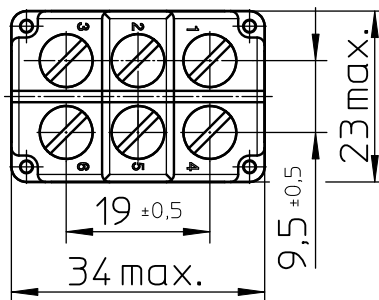
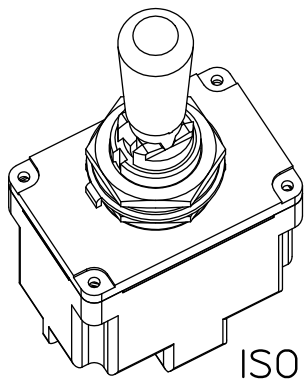
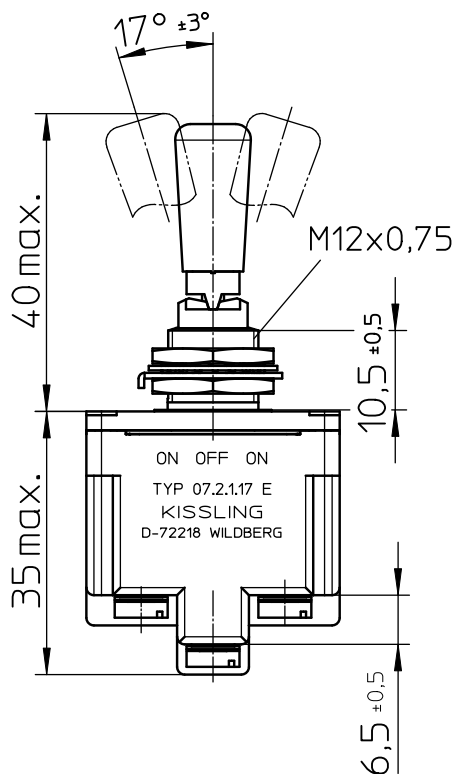
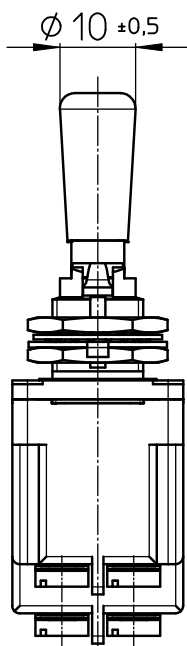


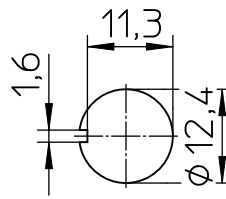
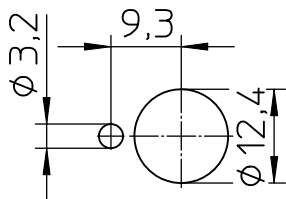
keyway opposite keyway



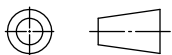
Mounting Detail

with locking ring

without locking ring



Third Angle Projection



For this drawing we reserve the copyright in accordance with DIN ISO 16016

	Date	Name
Create	17.08.2005	Braun
Edited	05.12.2005	Braun
Check	05.12.2005	Braun

mm ↔	Scale 1:1
General Tolerances DIN ISO 2768 cL	



Drawing No:

07-2-1-17 E

NSN:

Circuit Diagram

	Circuitry made with toggle at		
	keyway	center	opposite keyway
Pole 1			
Pole 2			

Actuation

momentary keyway side
locking center position
momentary opposite keyway side

Locking Configuration

locked out keyway side
locked in center position
locked out opposite keyway side

Construction

Material, Casing Thermoplast GF
Material, Cover GD-ZnAl4Cu1
Connections Screws M3,5x6 ISO 1580
Protection Interior IP 6K5 DIN 40 050 Part 9
Connections IP 00 DIN 40 050 Part 9

Mechanical Data

Current carrying parts CuZn-Alloy
Contacts Ag
Ambient Temperature Range -35°C to +60°C
Storage Temperature Range -35°C to +80°C
Life Cycle iaw VG 95 210 Part 21, grade H 100.000 operations

Electrical Data

Voltage 12 V DC ohmic Load 20A
28 V DC ohmic Load 18A
28 V DC inductive Load at L/R = 5 ms 10A
28 V DC lamp Load 5A
115 V AC ohmic Load 11A
115 V AC inductive Load cos. Φ = 0,75, 8A
115 V AC lamp Load 2A
Motor Load utilisation category AC3 (see DIN VDE 0660 Part 107) 5A

Min. Rating 12 V DC, 20 mA

It is recommended to use gold-plated contacts
for lower currents or voltages.

For this drawing we reserve the copyright in accordance with DIN ISO 16016

	Date	Name	 Scale 1:1		Drawing No:
Create	17.08.2005	Braun			General Tolerances
Edited	17.08.2005	Braun	NSN.:		
Check	17.08.2005	Braun			