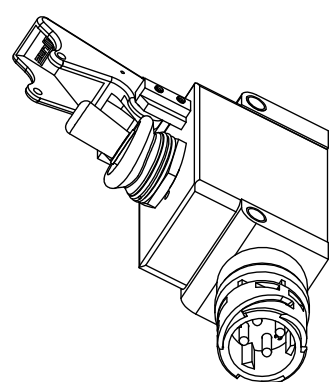
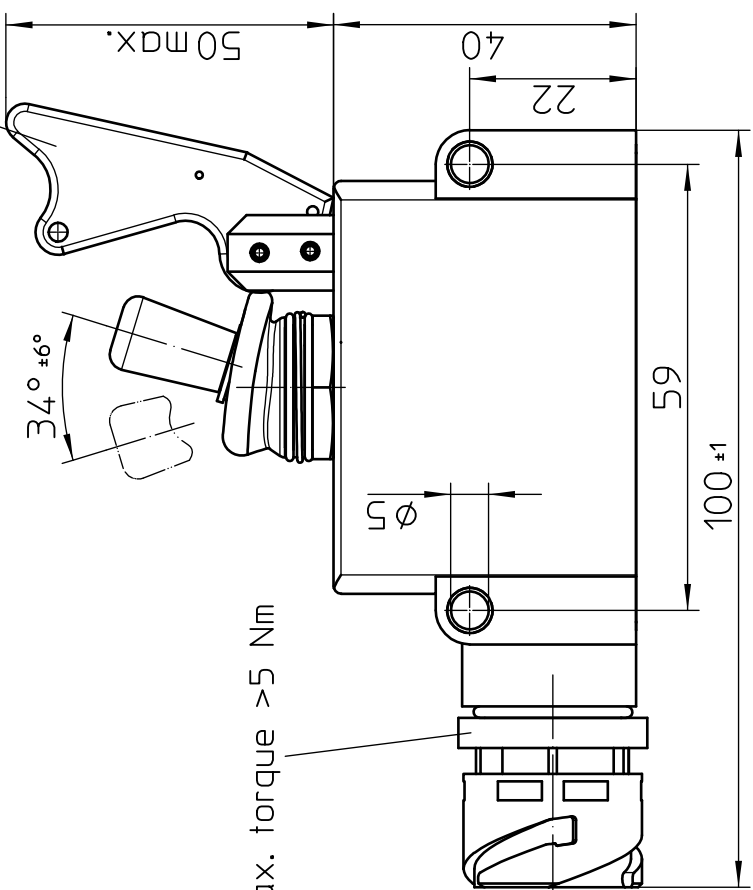
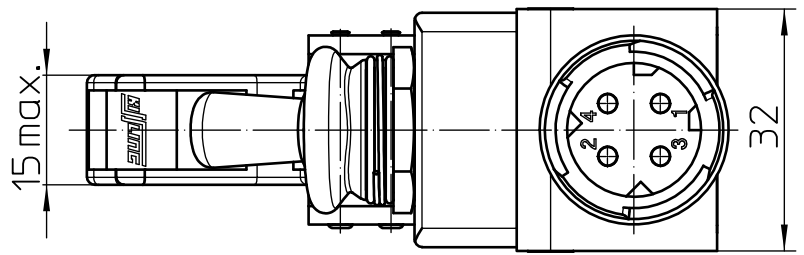
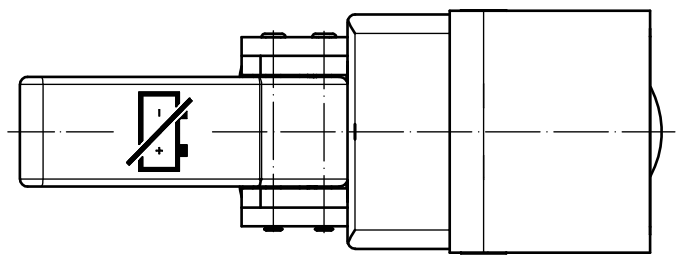


Switch guard
color red

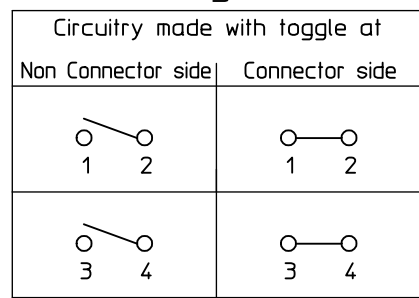


ISO 1:2



	Date	Name	mm	Scale	 Elektrotechnik - GmbH & Co KG D - 72218 Wildberg	Drawing No:
Drawn	30.09.2002	Braun	General Tolerances DIN ISO 2768 mK	1:1		07-2-2-10 923
Check	21.11.2005	Braun				NSN.:

Circuit Diagramm



locking Connector side
locking non Connector side

Construction

Material, Casing Thermoplast
 Material, Cover Thermoplast
 Protection IP 6K7 DIN 40 050 Part 9
 Recommended mounting bolt M4 iaw DIN EN ISO 1580 or 7045 with washer

Mechanical Data

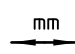

Current carrying parts CuZn - Alloy
 Contacts Ag
 Ambient Temperature Range -35°C to +60°C
 Storage Temperature Range -35°C to +80°C
 Electrical Life Cycle (Switch) 100.000 operations
 Mechanical Life Cycle (Unit) 10.000 operations

Elektrical Data

Voltage 12 V DC ohmic Load 10A
 28 V DC ohmic Load 10A
 28 V DC inductive Load bei L/R = 5 ms 10A
 28 V DC lamp Load 7A
 115 V AC ohmic Load 10A
 115 V AC inductive Load cos. φ = 0,75, 10A
 115 V AC lamp Load 4A
 Motor Load utilisation category AC3 (see DIN VDE 0660 Part 107) 5A

Min. Rating 12 V DC, 20 mA

It is recommended to use gold-plated contacts for
lower currents or voltage.

	Date	Name		Scale 1:1		Drawing No: 07-2-2-10 923
Drawn	30.09.2002	Braun	General Tolerances			
Check	14.04.2003	Braun				NSN.: