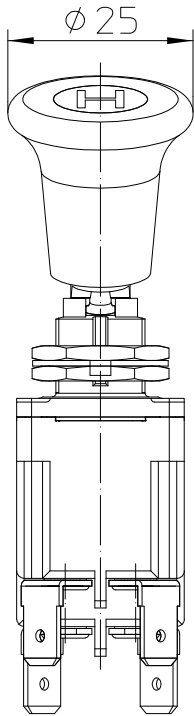
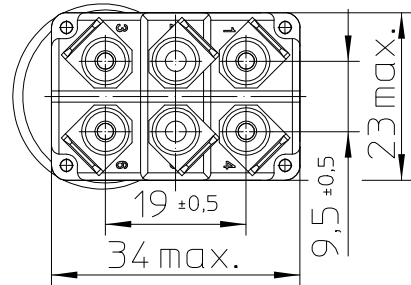
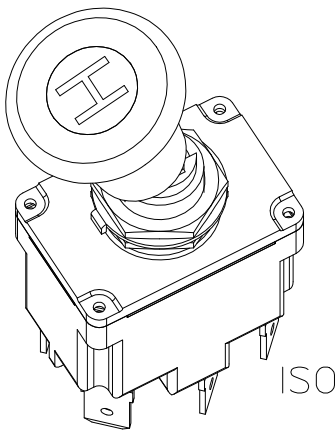
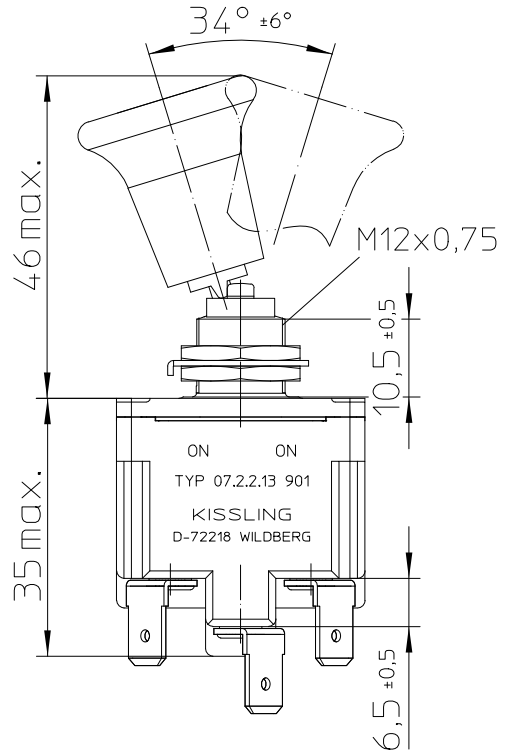


For this drawing we reserve the copyright in accordance with DIN ISO 16016



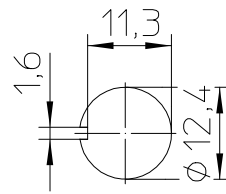
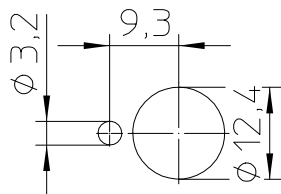
keyway opposite keyway



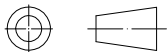
Mounting Detail

with locking ring

without locking ring



Third Angle Projection



	Date	Name
Create	11.08.2005	Braun
Edited	23.09.2019	Nonne
Check	23.09.2019	Stack

mm

Scale
1:1

General Tolerances
DIN ISO 2768 cL

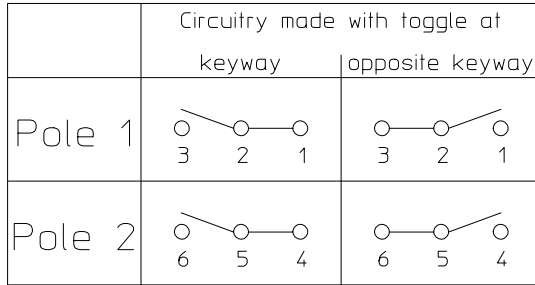


Drawing No:

07-2-2-13 901

NSN:

Circuit Diagram



Actuation

locking keyway side
locking opposite keyway side

Locking Configuration

locked in keyway side
locked in opposite keyway side

Construction

Material, Casing Thermoplast GF
 Material, Cover Steel
 Connections Faston DIN 46 244-A6,3-0,8
 Protection Interior IP 6K5 DIN 40 050 Part 9
 Connections IP 00 DIN 40 050 Part 9

Mechanical Data

Current carrying parts CuZn-Alloy
 Contacts Ag
 Ambient Temperature Range -35°C to +60°C
 Storage Temperature Range -35°C to +80°C
 Life Cycle iaw VG 95 210 Part 21, grade H 100.000 operations

Electrical Data

Voltage 12 V DC ohmic Load 20A
 28 V DC ohmic Load 20A
 28 V DC inductive Load at L/R = 5 ms 15A
 28 V DC lamp Load 7A
 115 V AC ohmic Load 15A
 115 V AC inductive Load cos. Φ = 0,75, 15A
 115 V AC lamp Load 4A
 Motor Load utilisation category AC3 (see DIN VDE 0660 Part 107) 5A

Min. Rating 12 V DC, 20 mA

It is recommended to use gold-plated contacts
for lower currents or voltages.

For this drawing we reserve the copyright in accordance with DIN ISO 16016

	Date	Name		Scale 1:1		Drawing No:
Create	11.08.2005	Braun				General Tolerances DIN ISO 2768 cL
Edited	23.09.2019	Nonne				NSN:
Check	23.09.2019	Stack				