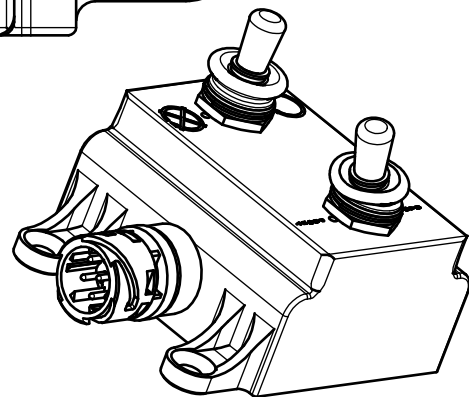
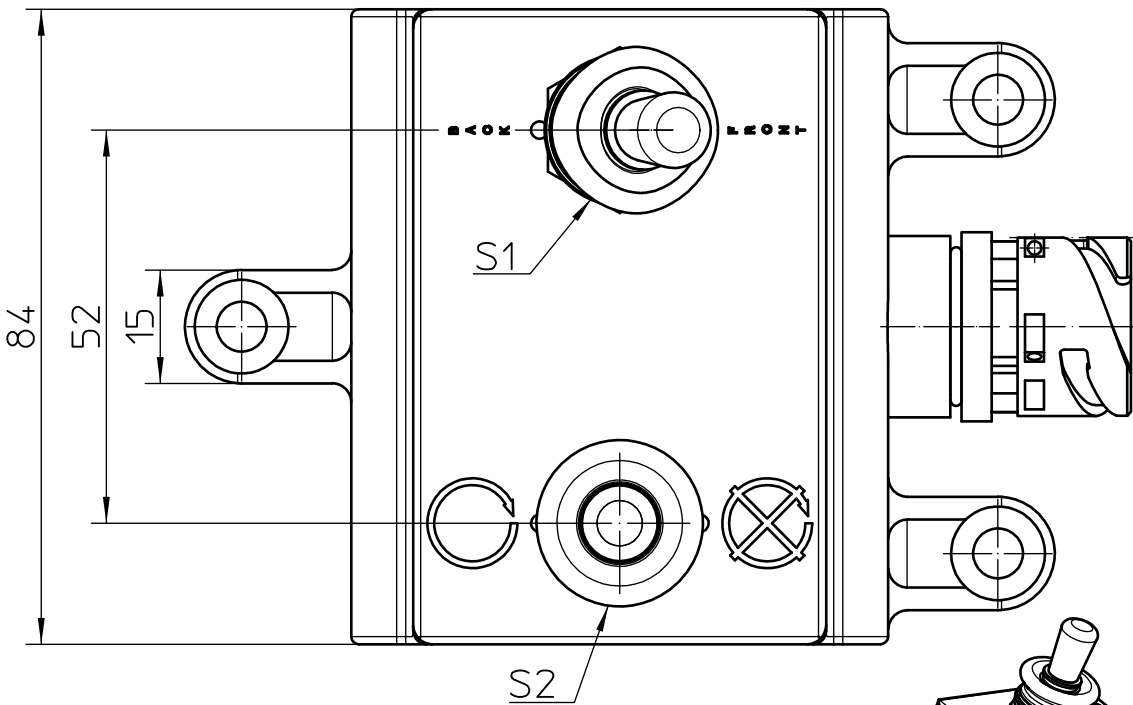
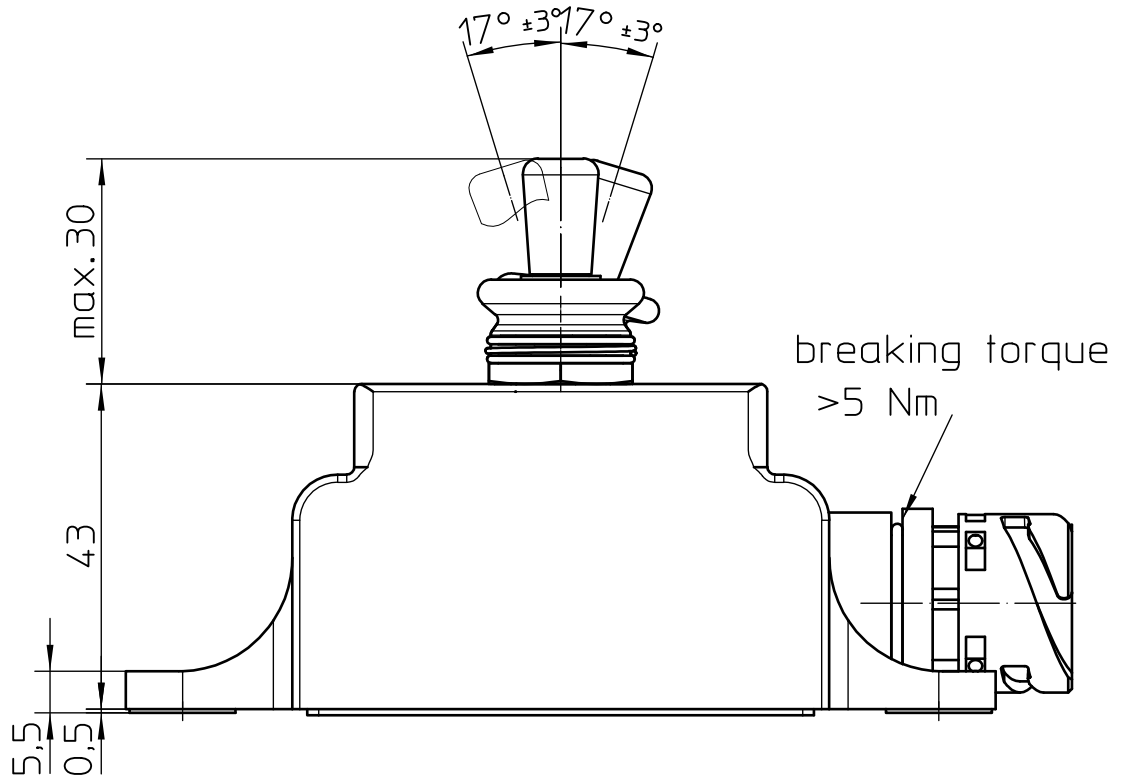



Toggle Switch

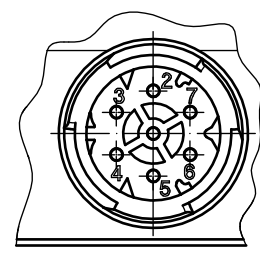
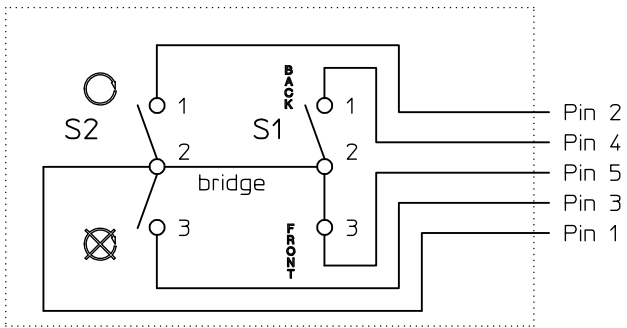


	Date	Name	mm	Scale		Drawing No:
Drawn	23.10.2009	Drech	←	1:1		07-2-2-99 907
Check	11.03.2010	Drech	General Tolerances DIN ISO 2768 mK		NSN.:	

Actuation

- S1 locking in FRONT
locking in BACK
- momentary MOTOR ON
- S2 locking in the center
momentary MOTOR OFF

Circuit



Connector Style

Construction

- Material, Casing Thermoplast GF
- Material, Cover Thermoplast GF
- Connection Connector iaw DIN 72 585
- Protection IP 6K4 DIN 40 050 Part 9
- Recommende screw Flat head screw M6

Mechanical Data

- Current carrying parts CuZn-Alloy
- Contacts Ag
- Ambient Temperature Range -35°C to +85°C
- Storage Temperature Range -35°C to +85°C
- Life Cycle (nominal Load) 100.000 operations


Electrical Data

- Voltage 12 V DC ohmic Load 10A
- 28 V DC ohmic Load 10A
- 28 V DC inductive Load at L/R = 5 ms 10A
- 28 V DC lamp Load 4A
- 115 V AC ohmic Load 10A
- 115 V AC inductive Load cos. Φ = 0,75, 7A
- 115 V AC lamp Load 2A
- Motor Load utilisation category AC3 (see DIN VDE 0660 Part 107) 5A

Min. Rating 12 V DC, 20 mA

It is recommended to use gold-plated contacts for lower currents or voltages.

Für diese Zeichnung behalten wir uns das Urheberrecht gemäß DIN 34 vor

	Datum	Name	Freimaßtoleranz	Maßstab		Zeichnungs-Nr.:
Bearb.	26.10.2009	Drech	DIN ISO 2768 mK	1:1		07-2-2-99 907
Gepr.	11.03.2010	Drech				Vers.Nr.: