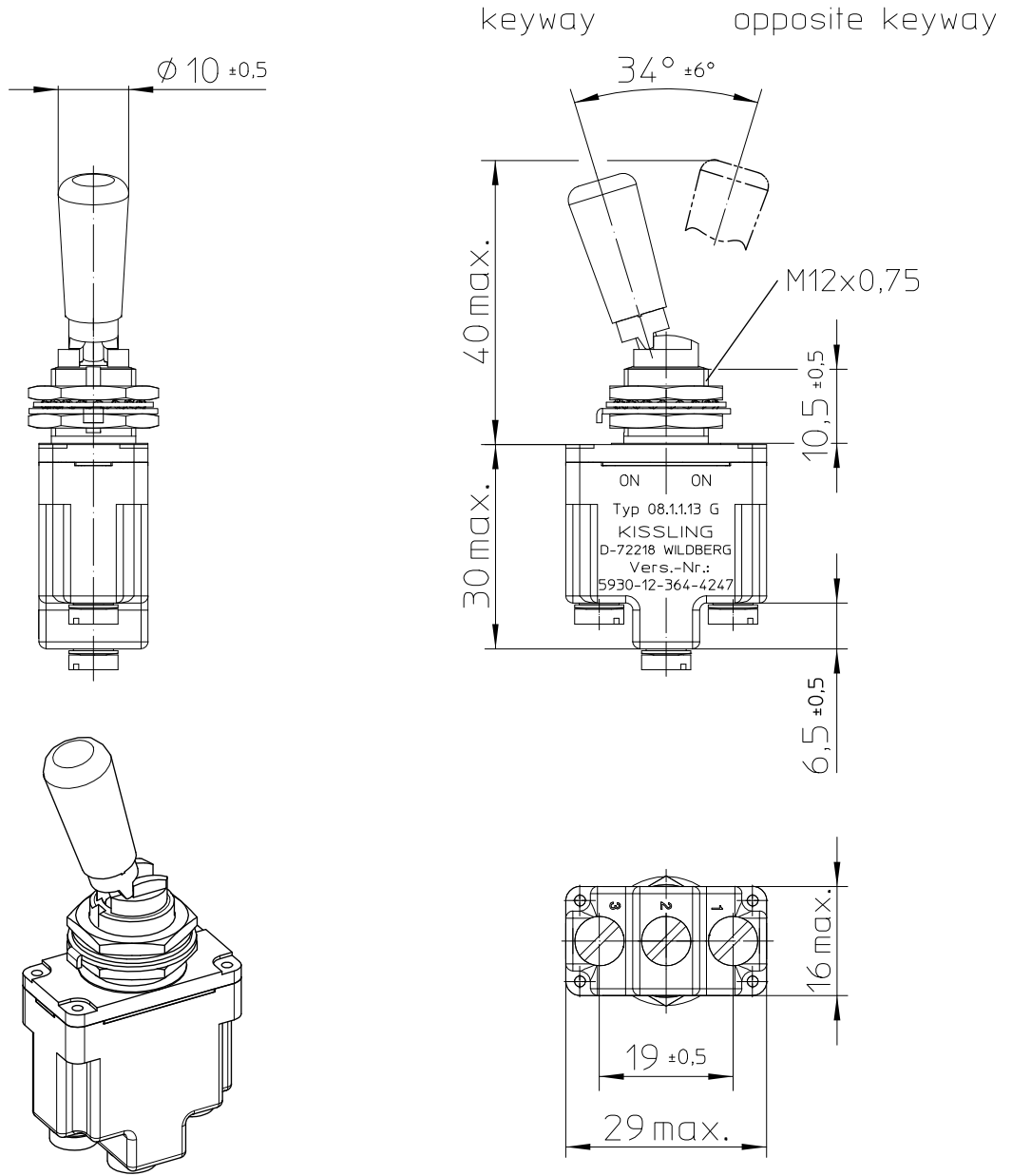


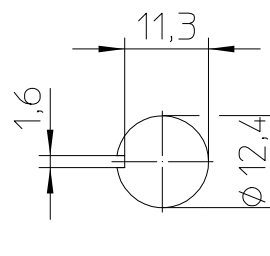
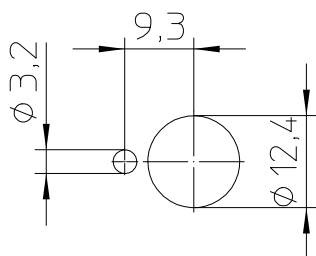
For this drawing we reserve the copyright in accordance with DIN ISO 16016



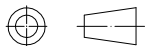
### Mounting Detail

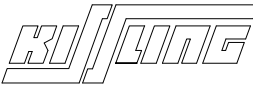
with locking ring

without locking ring

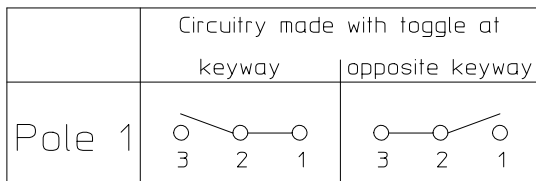


Third Angle Projection



	Date	Name	mm	Scale		Drawing No:
Create	01.04.2019	Stock		1:1		08-1-1-13 G
Edited	02.04.2019	Walza	General Tolerances			
Check	02.04.2019	Stock	DIN ISO 2768 cL			NSN: 5930-12-364-4247

## Circuit Diagram



## Actuation

locking keyway side  
locking opposite keyway side

## Locking Configuration

locked keyway side  
locked out in opposite keyway side

## Construction

Material, Casing ..... Duroplast GF  
 Material, Cover ..... GD-ZnAl4Cu1  
 Connections ..... Screws M3,5x6 ISO 1580  
 Protection Interior ..... IP 6K7 DIN 40 050 Part 9  
 Connections ..... IP 00 DIN 40 050 Part 9

## Mechanical Data

Current carrying parts ..... CuZn-Alloy  
 Contacts ..... Ag  
 Ambient Temperature Range ..... -55°C to +85°C  
 Storage Temperature Range ..... -65°C to +85°C  
 Life Cycle iaw VG 95 210 Part 21, grade H ..... 100.000 operations

## Electrical Data

Voltage 28 V DC ohmic Load ..... 20A  
 28 V DC inductive Load ..... at L/R = 5 ms 15A  
 28 V DC lamp Load ..... 5A  
 115 V AC ohmic Load ..... 15A  
 115 V AC inductive Load .....  $\cos. \Phi = 0,75, 10A$   
 115 V AC lamp Load ..... 3A  
 Motor Load ..... utilisation category AC3 (see DIN VDE 0660 Part 107) 5A

Min. Rating ..... 12 V DC, 20 mA

It is recommended to use gold-plated contacts  
for lower currents or voltages.

For this drawing we reserve the copyright in accordance with DIN ISO 16016

	Date	Name		Scale 1:1		Drawing No:
Create	16.08.2010	Stock				General Tolerances DIN ISO 2768 cL
Edited	02.04.2019	WalzA				
Check	02.04.2019	Stock				