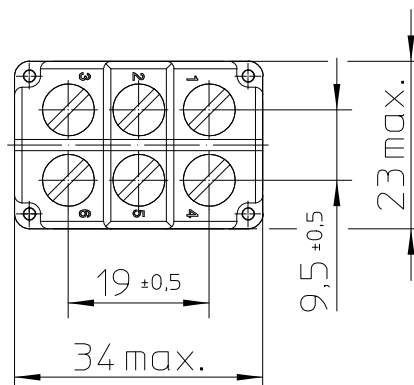
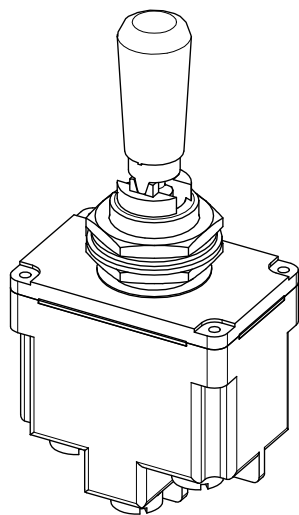
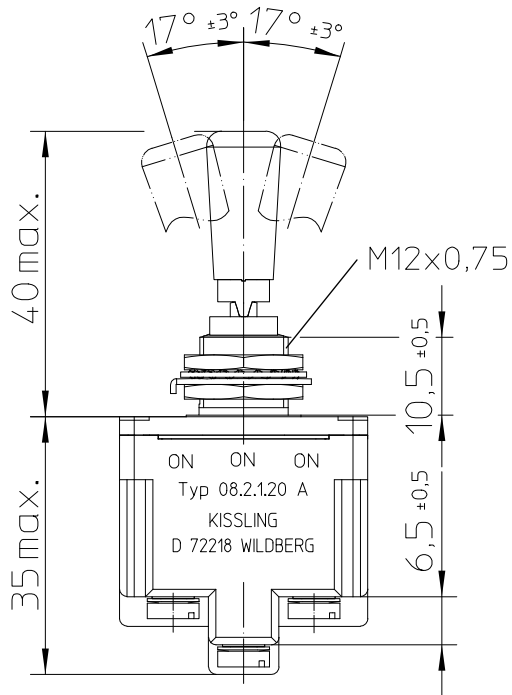
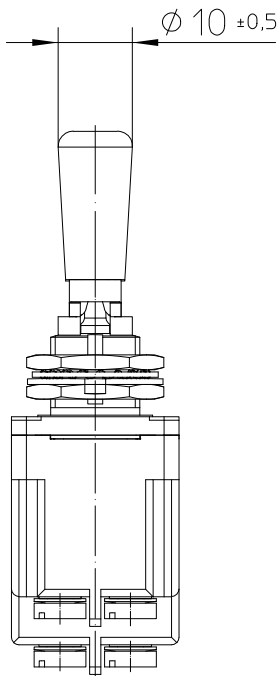


For this drawing we reserve the copyright in accordance with DIN ISO 16016

keyway

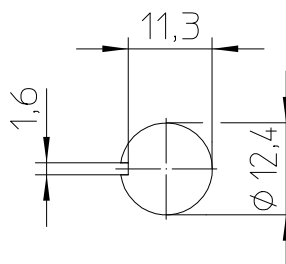
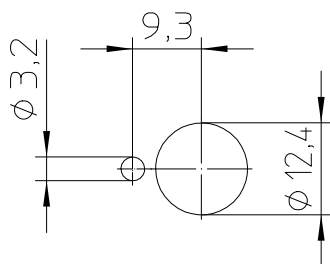
opposite keyway



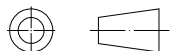
### Mounting Detail

with locking ring

without locking ring



Third Angle Projection



	Date	Name
Create	17.08.2005	Braun
Edited	19.07.2019	Stack
Check	19.07.2019	Weiro

mm	Scale
	1:1
General Tolerances	
DIN ISO 2768 cL	



Drawing No:	08-2-1-20 A
NSN:	

## Circuit Diagram

	Circuitry made with toggle at		
	keyway	center	opposite keyway
Pole 1			
Pole 2			

## Actuation

locking keyway side  
locking center position  
locking opposite keyway side

## Locking Configuration

locked in keyway side  
locked in center position  
locked in opposite keyway side

## Construction

Material, Casing ..... Duroplast GF  
Material, Cover ..... GD-ZnAl4Cu1  
Connections ..... Screws M3,5x6 ISO 1580  
Protection Interior ..... IP 6K7 DIN 40 050 Part 9  
Connections ..... IP 00 DIN 40 050 Part 9

## Mechanical Data

Current carrying parts ..... CuZn-Alloy  
Contacts ..... Ag  
Ambient Temperature Range ..... -55°C to +85°C  
Storage Temperature Range ..... -65°C to +85°C  
Life Cycle iaw VG 95 210 Part 21, grade H ..... 100.000 operations

## Electrical Data

Voltage 28 V DC ohmic Load ..... 20A  
28 V DC inductive Load ..... at L/R = 5 ms 15A  
28 V DC lamp Load ..... 7A  
115 V AC ohmic Load ..... 15A  
115 V AC inductive Load ..... cos.  $\Phi$  = 0,75, 15A  
115 V AC lamp Load ..... 4A  
Motor Load ..... utilisation category AC3 (see DIN VDE 0660 Part 107) 5A

Min. Rating ..... 12 V DC, 20 mA

It is recommended to use gold-plated contacts  
for lower currents or voltages.

For this drawing we reserve the copyright in accordance with DIN ISO 16016

	Date	Name	mm ↔	Scale 1:1		Drawing No:
Create	17.08.2005	Braun				General Tolerances DIN ISO 2768 cL
Edited	19.07.2019	Stack	NSN:			
Check	19.07.2019	Weiro				