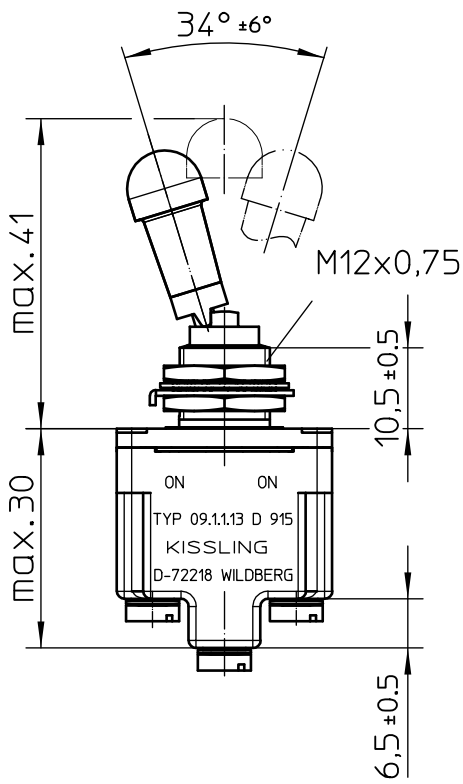
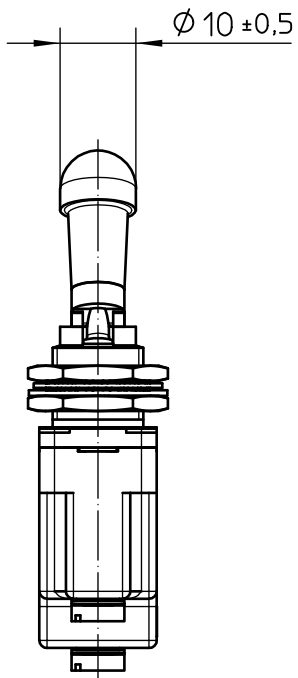


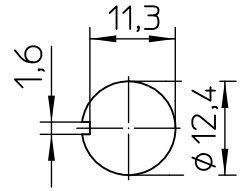
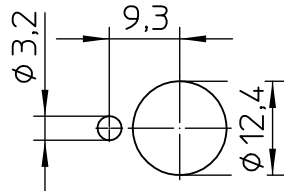
keyway opposite keyway



Mounting Detail

with locking ring

without locking ring



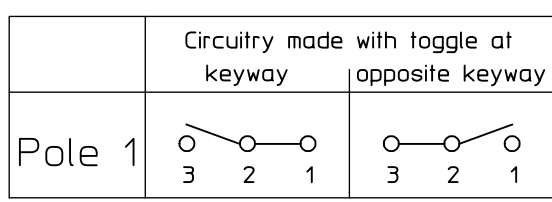
	Date	Name
Drawn	15.06.2010	Walz
Check	17.11.2010	Stock

mm →	Scale 1:1
General Tolerances DIN ISO 2768 mK	



Drawing No: 09-1-1-13 D 915
NSN.:

Circuit Diagram



Actuation

locking keyway side
locking opposite keyway side

Locking Configuration

locked in keyway side
locked in opposite keyway side

Construction

Material, Casing Duroplast GF
 Material, Cover GD-ZnAl4Cu1
 Connections Screws M3,5x6 ISO 1580
 Protection Interior IP 6K7 DIN 40 050 Part 9
 Connections IP 00 DIN 40 050 Part 9

Mechanical Data

Current carrying parts CuZn-Alloy
 Contacts Ag
 Ambient Temperature Range -55°C to +85°C
 Storage Temperature Range -65°C to +85°C
 Life Cycle iaw VG 95 210 Part 21, grade H 100.000 operations

Electrical Data

Voltage 28 V DC ohmic Load 20A
 28 V DC inductive Load at L/R = 5 ms 15A
 28 V DC lamp Load 5A
 115 V AC ohmic Load 15A
 115 V AC inductive Load cos. Φ = 0,75, 10A
 115 V AC lamp Load 3A
 Motor Load utilisation category AC3 (see DIN VDE 0660 Part 107) 5A

Min. Rating 12 V DC, 20 mA

It is recommended to use gold-plated contacts
for lower currents or voltages.

	Date	Name		Scale		Drawing No:
Drawn	15.06.2010	Waltz	General Tolerances	1:1		09-1-1-13 D 915
Check	17.11.2010	Stock				NSN.: