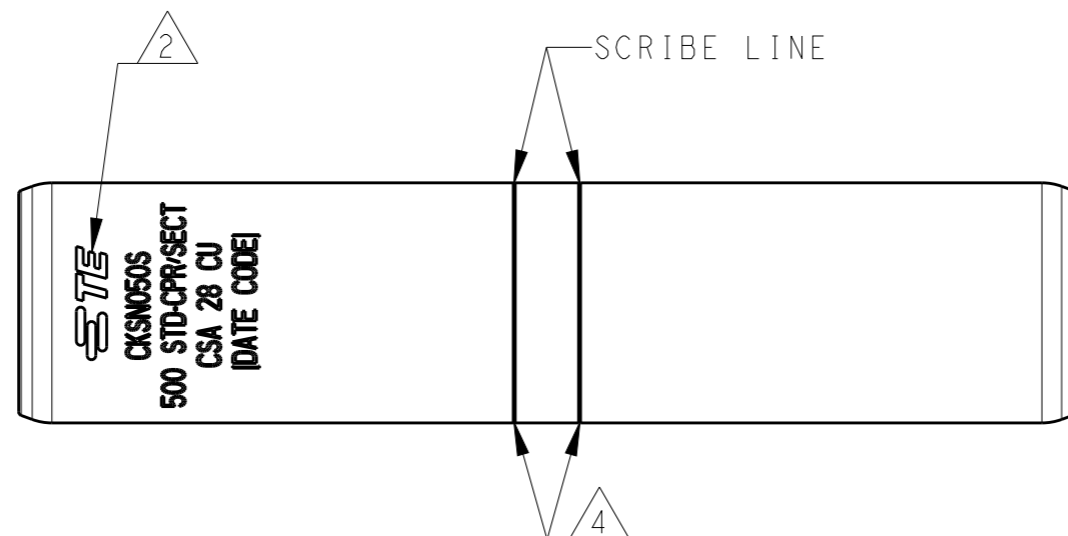


REVISIONS

P	LTR	DESCRIPTION	DATE	DWN	APVD
	A	INITIAL REL. PER LC20-0034-05	22FEB2005	DR	BJ
	B	LC20-0032-12 / ECO-12-006946	28MAR2012	DM	BJ
	C	LC20-0033-16 / ECO-16-004389	14MAR2016	DM	BJ



- ACCOMMODATES:  
500 KCMIL STD-CPR (.813-.789 DIA) COPPER CONDUCTORS.  
500 KCMIL SECTORAL COPPER CONDUCTOR.

2 MARKING:

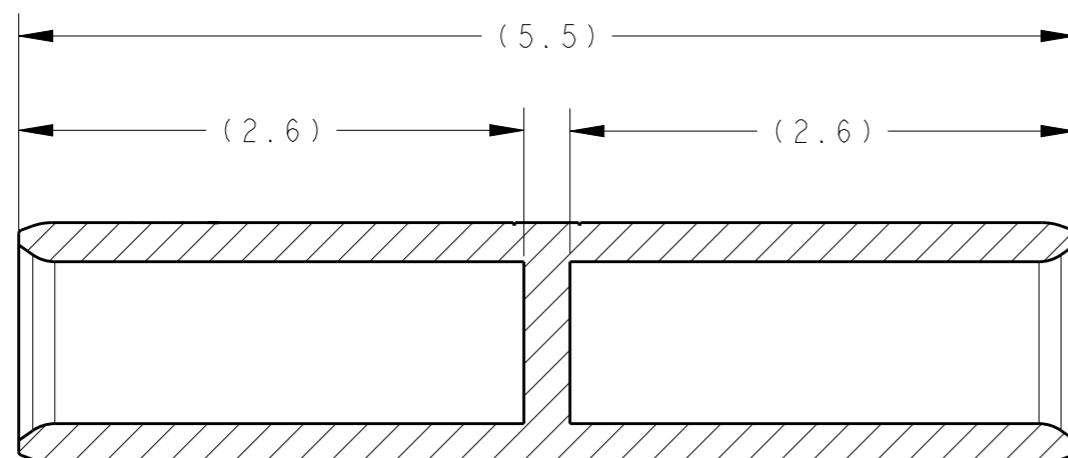
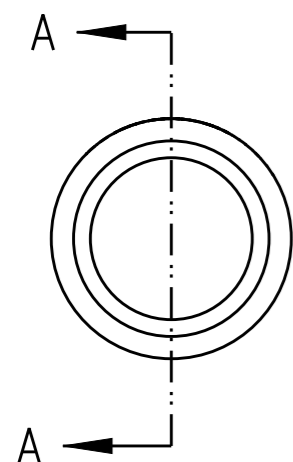
**STE**  
[CATALOG NO]  
[CONDUCTOR SIZE]  
[DIE SIZE]  
[DATE CODE]

(REFER TO TABLE FOR CATALOG NO,  
CONDUCTOR SIZE & DIE SIZE)

- HARDNESS:  
SOFT TEMPERED.

4 DO NOT CRIMP BETWEEN SCRIBE LINES.

- ALL DIMENSIONS ARE FOR REFERENCE ONLY.



SECTION A - A

ELECTRO-TIN PLATED	CSA 28 CU	500 STD-CPR/SECT	CKSN050STN	1-1199354-6
FINISH	DIE SIZE	CONDUCTOR SIZE	CATALOG NO.	PART NO.

THIS DRAWING IS A CONTROLLED DOCUMENT.		DWN D. ROBITAILLE 21FEB2005	<b>STE</b> TE Connectivity	
DIMENSIONS: INCHES		CHK A. BULZA 22FEB2005		
TOLERANCES UNLESS OTHERWISE SPECIFIED:		APVD B. JOHNSON 22FEB2005	NAME COPPER COMPRESSION SLEEVE, 500 KCMIL STD-CPR/SECT COPPER CONDUCTORS	
0 PLC ±		PRODUCT SPEC	SIZE	
1 PLC ±		APPLICATION SPEC	CAGE CODE	
2 PLC ±			DRAWING NO	
3 PLC ±			RESTRICTED TO	
4 PLC ±			A300779	
ANGLES ±		WEIGHT	C-1-1199354-6	
MATERIAL ETP CU		FINISH SEE TABLE	SCALE	
			NTS	
			SHEET 1 OF 1	
			REV C	
			CUSTOMER DRAWING	