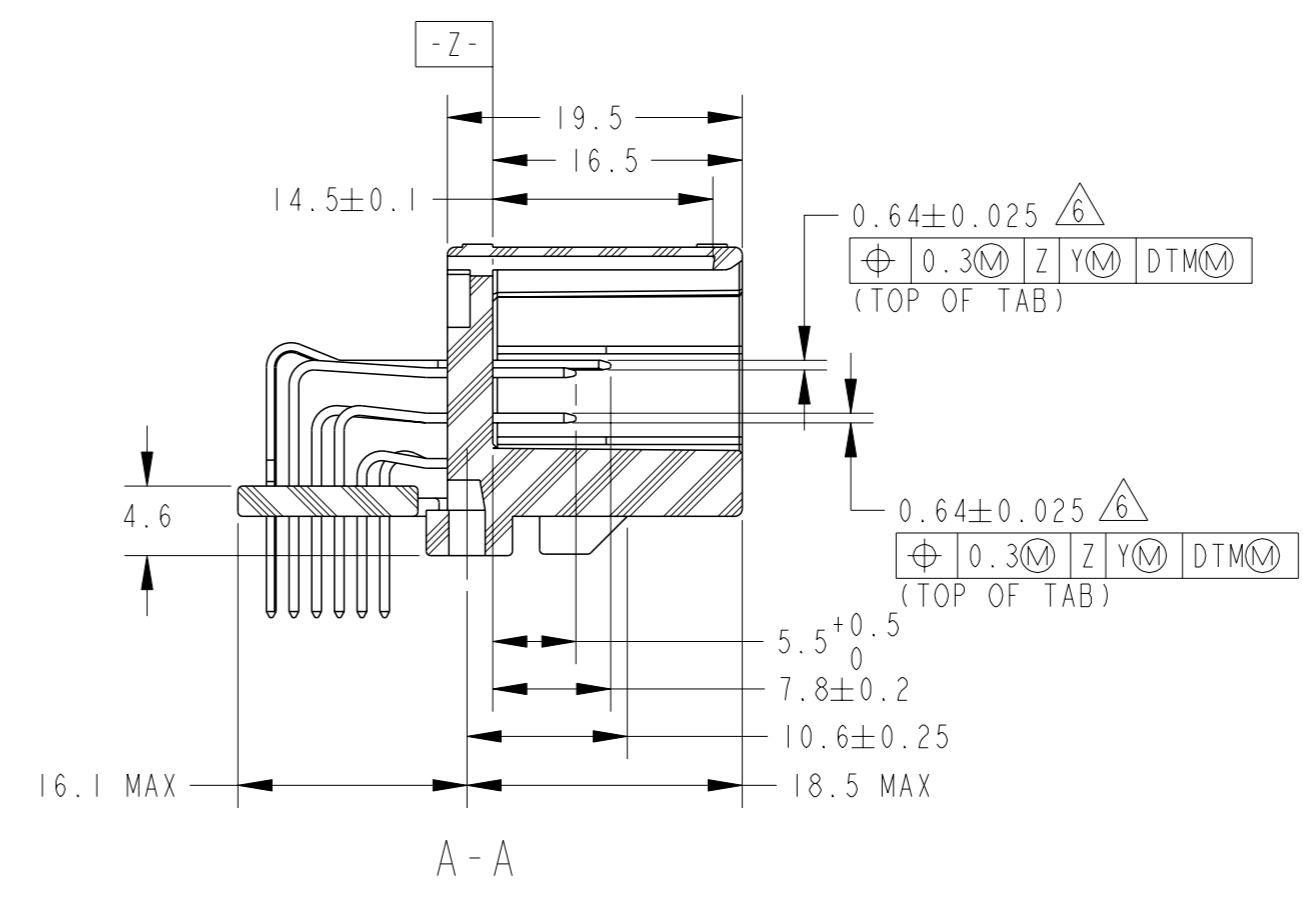
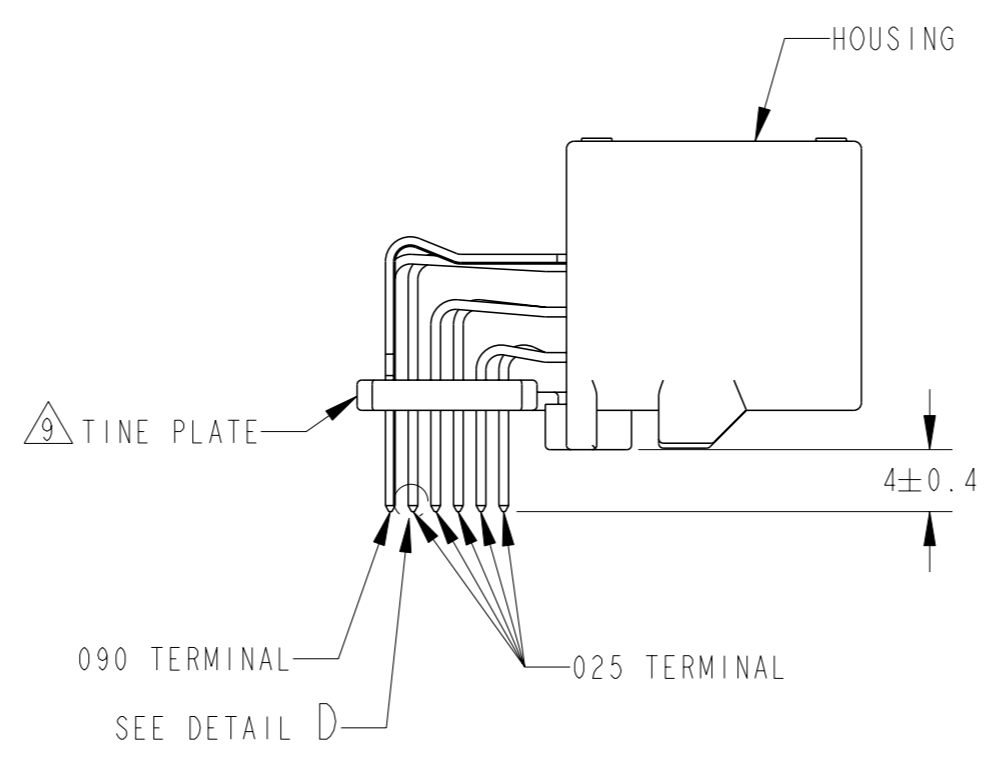
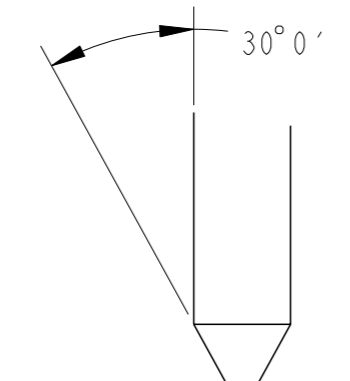
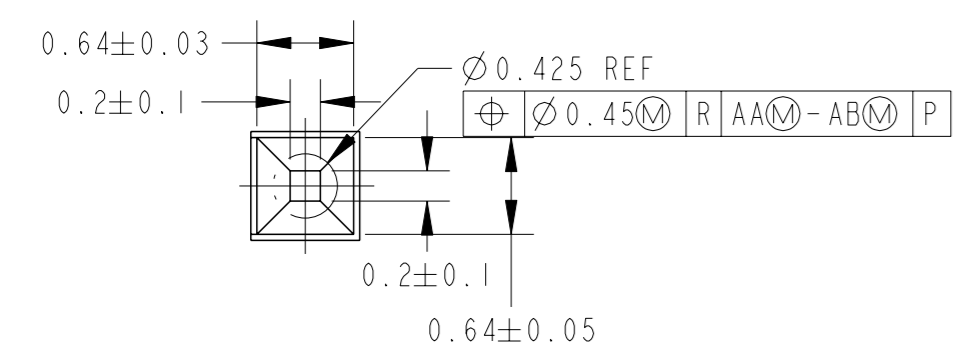
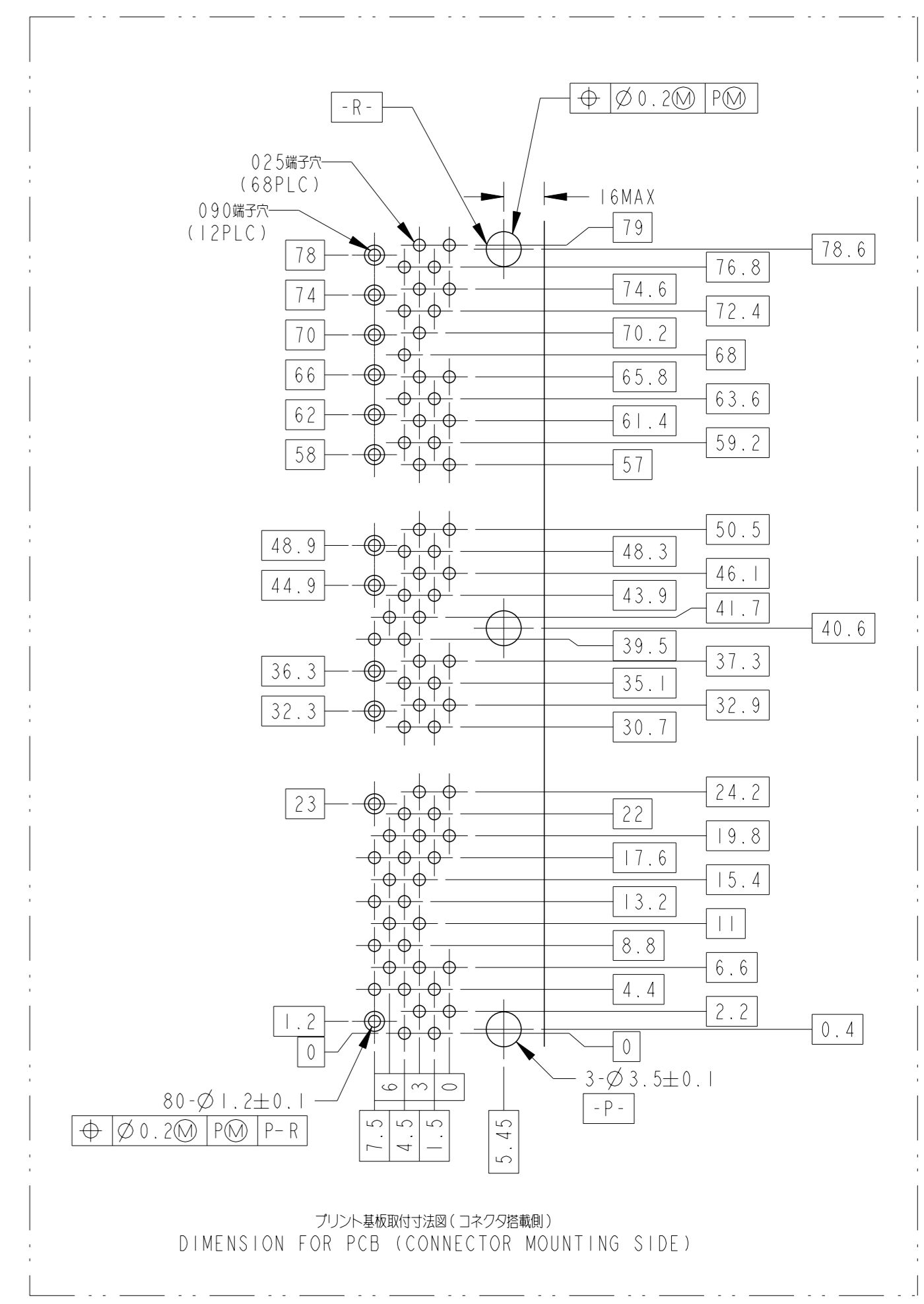
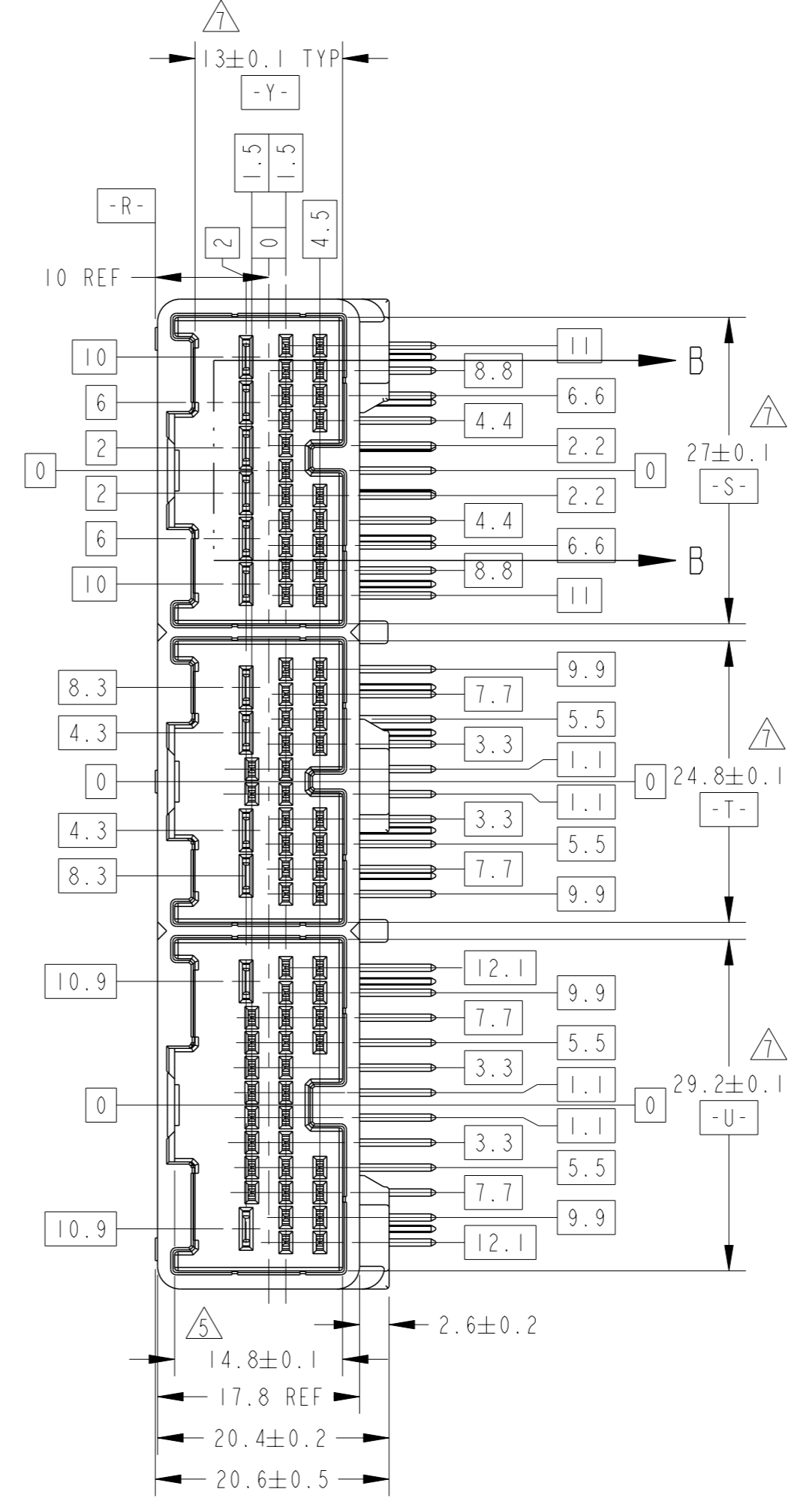
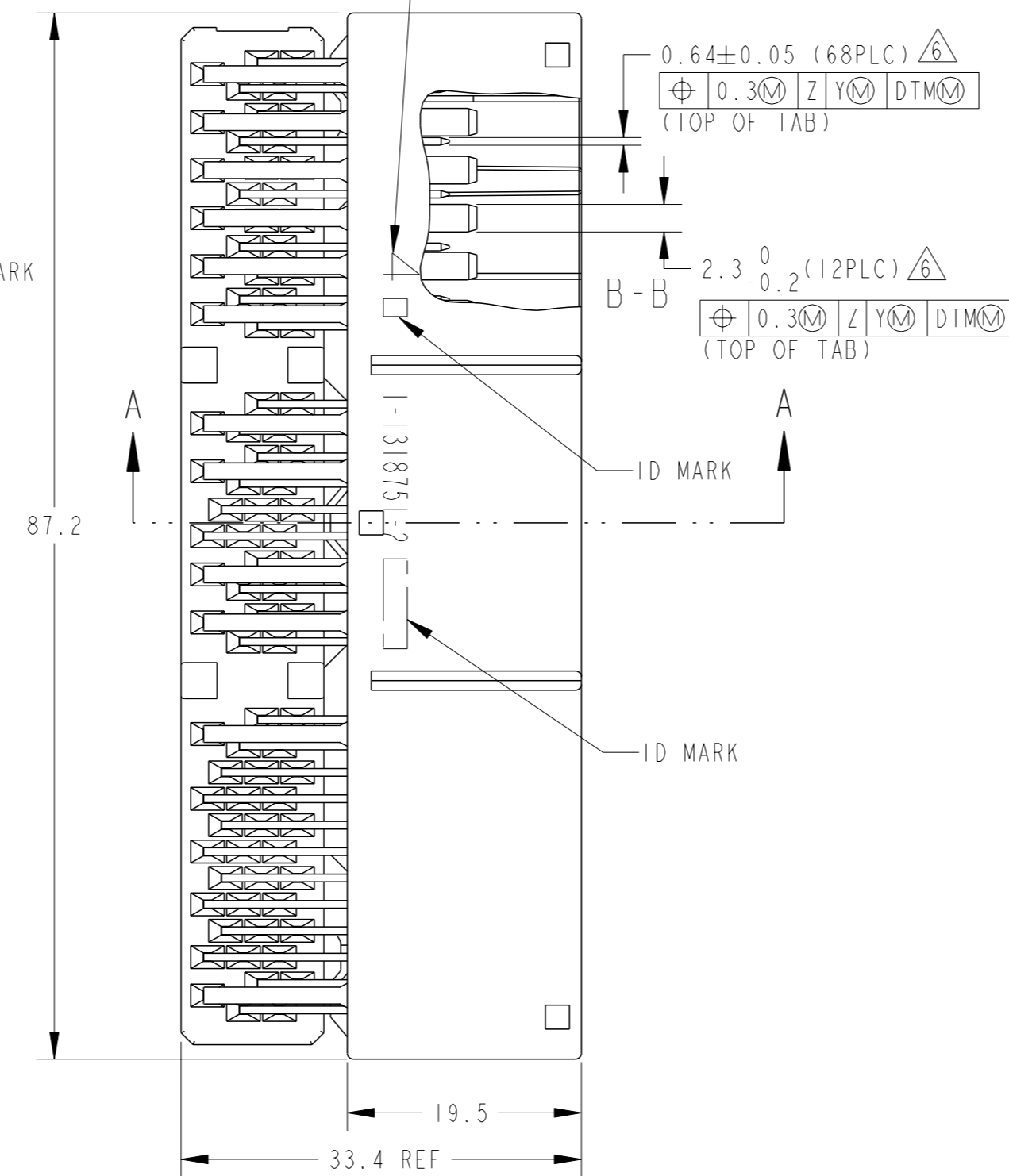
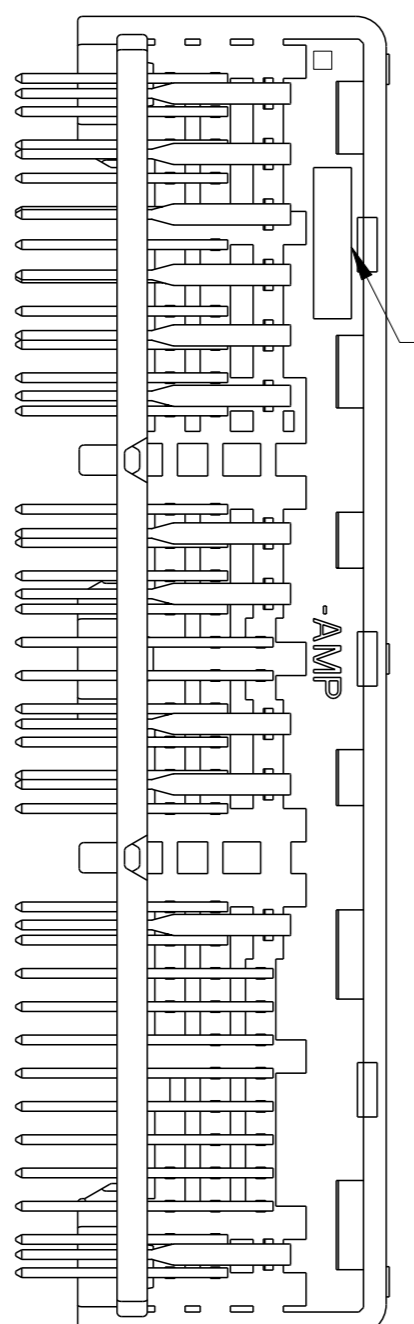
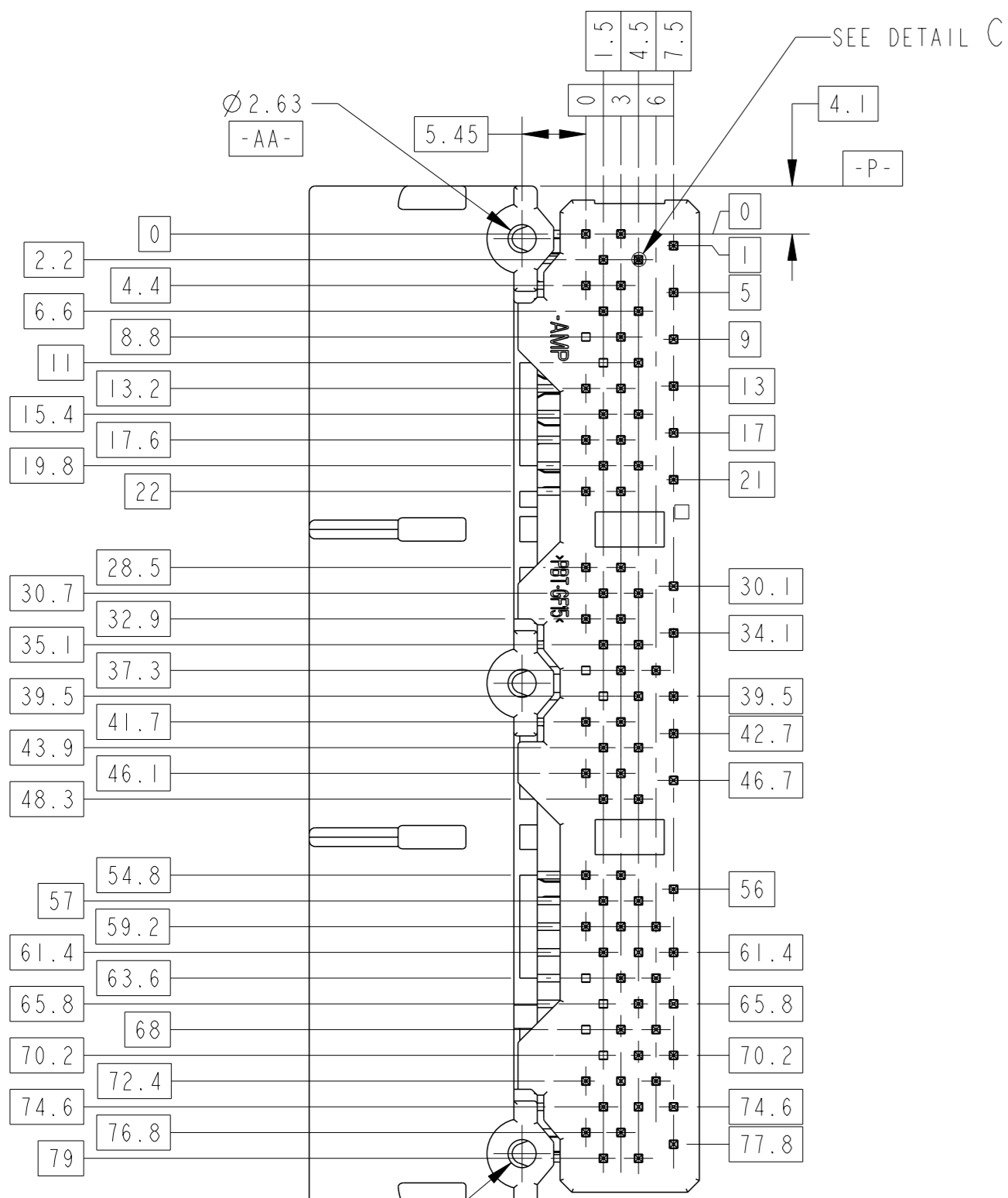


REVISIONS					
REV	DATE	DESCRIPTION	ECN	OWN	APVD
0	15DEC2004	RELEASED	FJAO-0879-04	TS	KB
A	10AUG2017	REVISED	ECR-17-011631	TS	HY
A1	27JUL2018	ADDED 1-9	ECR-18-012020	TS	HY



1. 嵌合相手ハウジング型番
24P:1318756, 26P:1318757, 30P:1318758
 2. 推奨取付ねじ: JIS B1115, B1122タッピングねじ。ねじ径3.長さTABLE-1参照
 3. ねじ締め付けトルク: 0.392N・m MAX
但し、AMP評価用基板とねじの組み合わせの場合である
よって、管理値は別途規定すること
 4. 本製品の取扱は、取扱説明書 No. 411-5927に従うこと。
- △. [-Z-] 面から2mmの位置にて測定
 △. 3次DTMについては、[-S-], [-T-], [-U-] を各々のブロック毎に適用すること。
 △. [-Z-] より7.5mmの位置で測定。
 △. コンタクト上識別用マーク
 △. タイププレートは全て自然色。

1. PART NO. OF PLUG HOUSINGS TO BE MATED
24P:1318756, 26P:1318757, 30P:1318758
 2. RECOMMENDED SCREW: PAN-HEADED, TYPE2 TAPPING SCREW OF 3NOMINAL DIAMETER 3mm, LENGTH: SEE TABLE-1 (JIS B1115, B1122)
 3. FASTENING TORQUE FOR SCREW: 0.392N・m MAX
THIS FASTEN TORQUE IS COMBINATION OF EVALUATION TAPPING SCREW AND EVALUATION PCB
SO, TOROU FOR OPERATION SHOULD BE PROVIDED RESPECTIVELY.
 4. AS FOR THE HANDLING OF THIS PRODUCT,
FOLLOW THE INSTRUCTION SHEET No. 411-5927.
- △. MEASURED AT 2mm FROM [-Z-]
 △. TERTIRY DATUM: [-S-], [-T-], [-U-] OF EACH BLOCK.
 △. MEASURED AT 7.5mm FROM [-Z-].
 △. MARKING FOR DESCERMINT OF THE CONTACT FINISH
 △. TINE PLATE COLOR: ALL NATURAL

THICKNESS OF PCB (mm) プリント基板厚 (mm)	0.5~1.2	1.6~2.0
NOMINAL LENGTH OF SCREW (mm) 固定用ネジの長さ (mm)	5	6

PLASTIC BOX 通い箱	SAME AS I-1318751-2				I-1318751-9
PAPER BOX ダンボール箱	PLASTIC TUBE プラスチックチューブ	SELECTIVE-TIN (MATTE)	SELECTIVE-TIN (BRIGHT)	BLACK	I-1318751-2
OUTER 外装	INNER 内装	SOLDERING SIDE 半田付け部	CONTACT SIDE 接触部	COLOR 色	PART NUMBER 製品番号
PACKING STYLE 梱包形態		CONTACT FINISH (仕上げ)			

THIS DRAWING IS A CONTROLLED DOCUMENT.		OWN T. SHINOHARA	15DEC04
DIMENSIONS: 単位: mm		CHK K. BETSUI	15DEC04
TOLERANCES UNLESS OTHERWISE SPECIFIED: 公差: ±		APVD K. BETSUI	15DEC04
0-PLC	±	PRODUCT SPEC	
1-PLC	±0.1	08-5667	
2-PLC	±0.01	APPLICATION SPEC	
3-PLC	±0.001	114-5250	
4-PLC	±0.0001	ANGLES ° ±3'00"	
MATERIAL 材質	SPS GF17 BRASS	WEIGHT 重量	23 g
FINISH 仕上げ	SEE TABLE	CUSTOMER DRAWING	

TE TE Connectivity

025/090 SER
80POS CAP ASSY

SIZE: A1 CAGE CODE: 00779 DRAWING NO: 1-1318751-2 RESTRICTED TO: --#

SCALE: 2:1 SHEET 1 OF 2 REV: A1

THIS DRAWING IS UNPUBLISHED.

RELEASED FOR PUBLICATION

2000

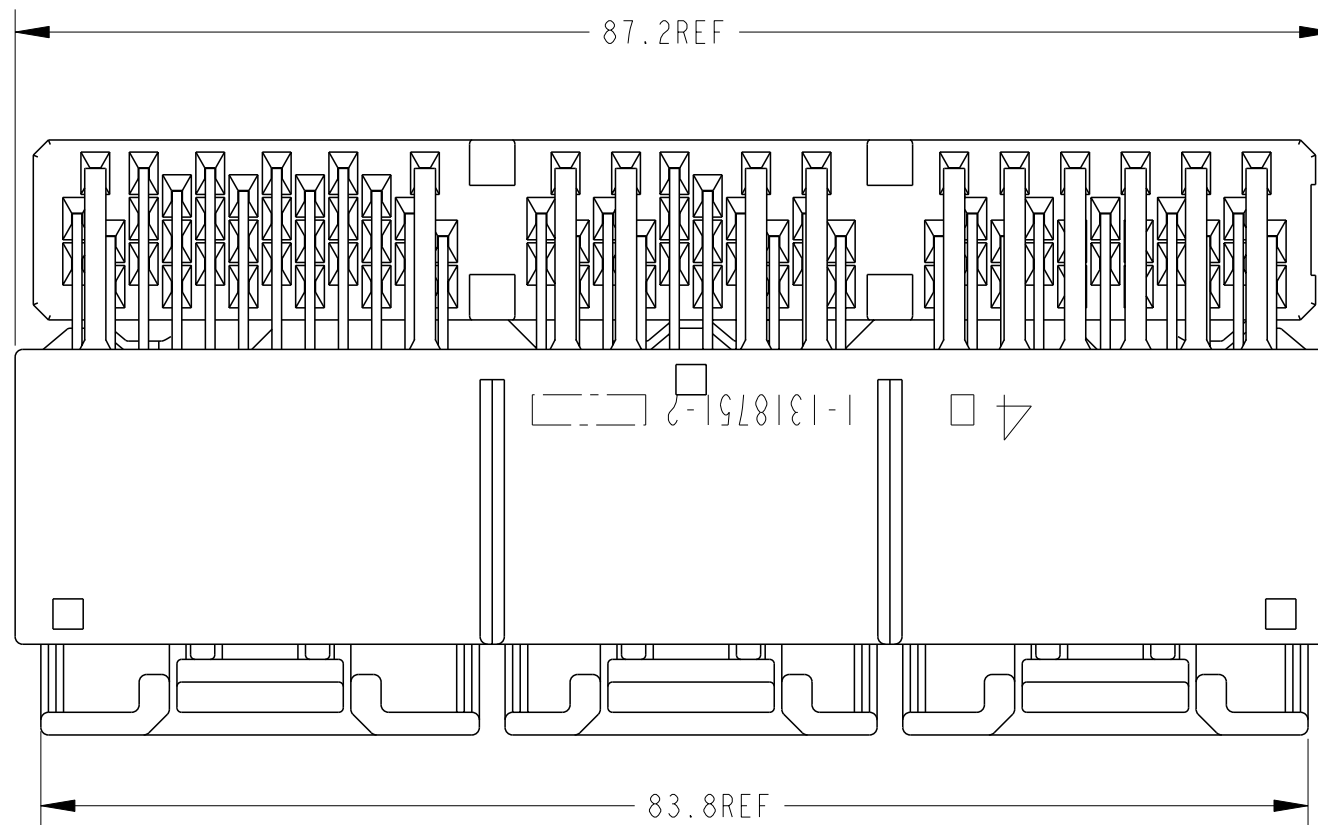
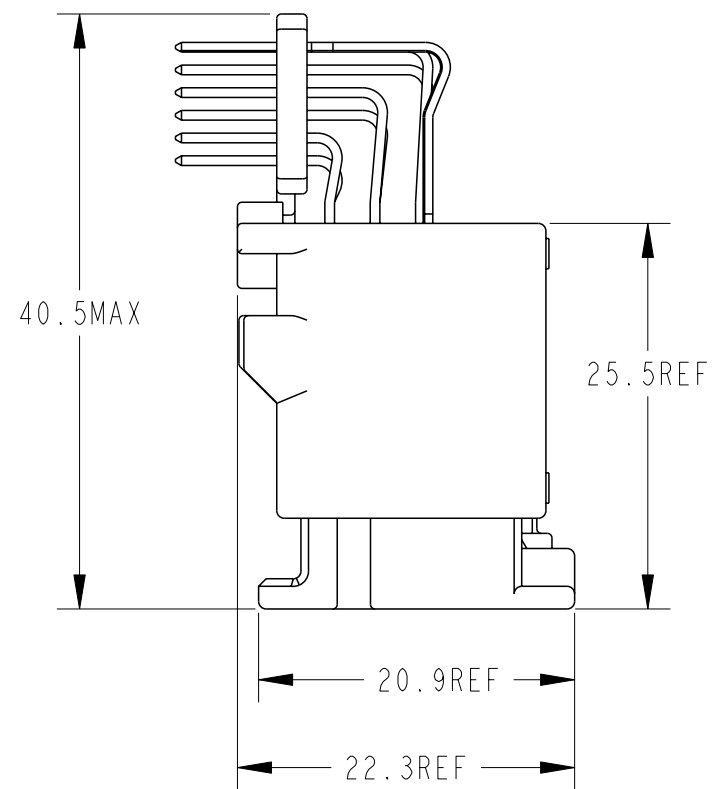
© COPYRIGHT 2000

ALL RIGHTS RESERVED.

REVISIONS

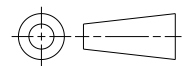
変更

P	LTR	DESCRIPTION	ECN	DATE	DWN	APVD
		SEE 1 OF 2				



THIS DRAWING IS A CONTROLLED DOCUMENT.

DIMENSIONS:
単位: 耗
mm



TOLERANCES UNLESS OTHERWISE SPECIFIED:
一般公差=±0.3

- 0-PLC ±
- 1-PLC ±0.1
- 2-PLC ±0.01
- 3-PLC ±0.001
- 4-PLC ±0.0001
- ANGLES ±3'00"

MATERIAL
材料 SEE 1 OF 2

FINISH
仕上 SEE 1 OF 2

DWN T. SHINOHARA 15DEC04

CHK K. BETSUI 15DEC04

APVD K. BETSUI 15DEC04

PRODUCT SPEC
製品規格 SEE 1 OF 2

APPLICATION SPEC
取付適用規格 SEE 1 OF 2

WEIGHT SEE 1 OF 2

CUSTOMER DRAWING



TE Connectivity

NAME
名称

025/090 SER
80POS CAP ASSY

SIZE

CAGE CODE

DRAWING NO
番号

RESTRICTED TO
—/—

A3

00779

C-1-1318751-2

SCALE
尺度 2:1

SHEET 2 OF 2

REV A1