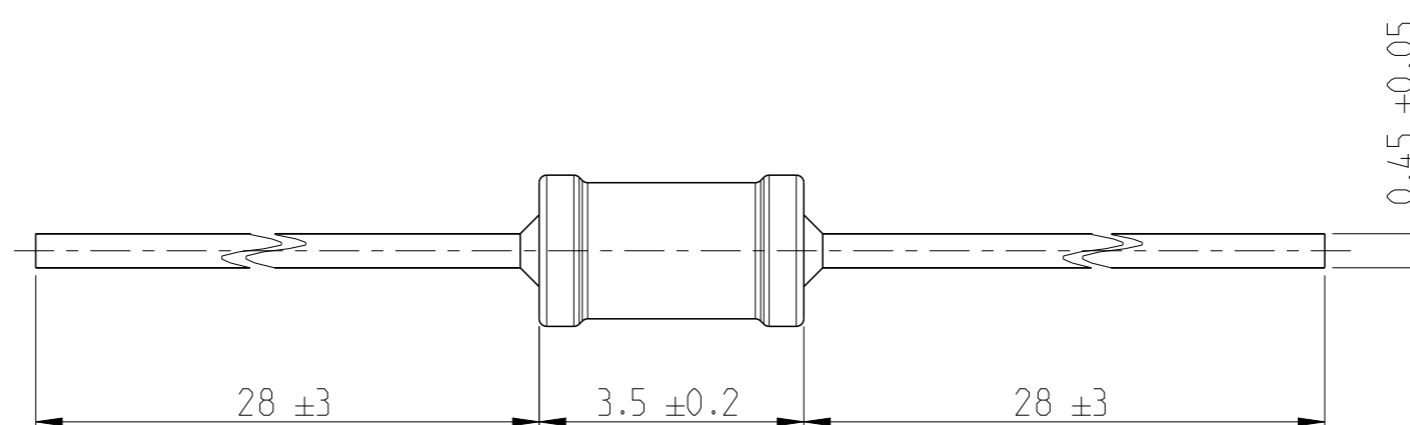
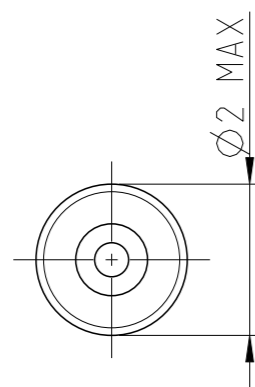


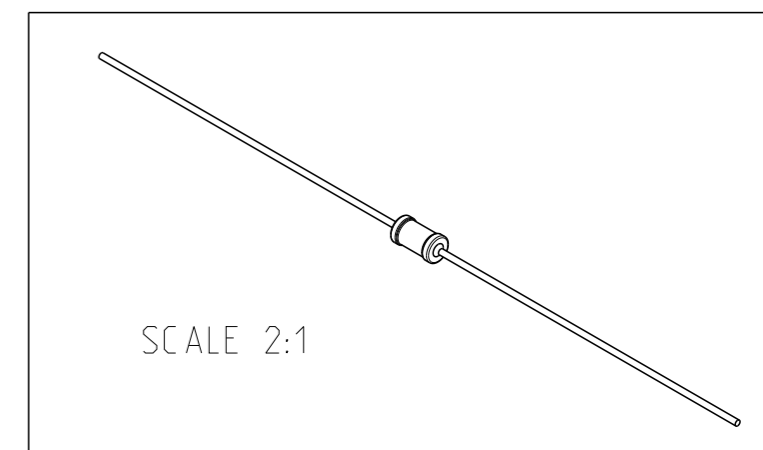
REVISIONS

P	LTR	DESCRIPTION	DATE	DWN	APVD
	BB	NEW RELEASE	15DEC2021	DM	AP

FOR FURTHER INFORMATION SEE DATA SHEET FOR SERIES LR, METAL FILM FIXED RESISTORS



RoHS Compliant




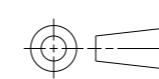
THIS DRAWING IS A CONTROLLED DOCUMENT.		DWN DHEERAJ M 15DEC2021														
DIMENSIONS: mm		CHK ALLAN P 15DEC2021														
TOLERANCES UNLESS OTHERWISE SPECIFIED:		APVD ALLAN P 15DEC2021	NAME RESISTOR LAB KIT TYPE LR0204 SERIES													
<table border="0"> <tr><td>0 PLC</td><td>± 0.2</td></tr> <tr><td>1 PLC</td><td>± 0.1</td></tr> <tr><td>2 PLC</td><td>± -</td></tr> <tr><td>3 PLC</td><td>± -</td></tr> <tr><td>4 PLC</td><td>± -</td></tr> <tr><td>ANGLES</td><td>± - 5°</td></tr> </table>		0 PLC	± 0.2	1 PLC	± 0.1	2 PLC	± -	3 PLC	± -	4 PLC	± -	ANGLES	± - 5°	PRODUCT SPEC -	SIZE A3	
0 PLC	± 0.2															
1 PLC	± 0.1															
2 PLC	± -															
3 PLC	± -															
4 PLC	± -															
ANGLES	± - 5°															
MATERIAL -		APPLICATION SPEC -	CAGE CODE 00779	DRAWING NO G-1-1625873-0												
FINISH -		WEIGHT -	RESTRICTED TO -													
		CUSTOMER DRAWING	SCALE 10:1	SHEET 1 OF 3												
			REV BB													

REVISIONS

P	LTR	DESCRIPTION	DATE	DWN	APVD
	-	SEE SHEET 1	-	-	-

Part Number	Product Number	Description	Qty / Kit
1614979-1	LR0204F10R	LR0204 1% 10R	20
1614984-1	LR0204F11R	LR0204 1% 11R	20
1614990-1	LR0204F12R	LR0204 1% 12R	20
1614998-1	LR0204F13R	LR0204 1% 13R	20
1622165-1	LR0204F15R	LR0204 1% 15R	20
1622170-1	LR0204F16R	LR0204 1% 16R	20
1622178-1	LR0204F18R	LR0204 1% 18R	20
1622198-1	LR0204F22R	LR0204 1% 22R	20
1622203-1	LR0204F24R	LR0204 1% 24R	20
1622207-1	LR0204F27R	LR0204 1% 27R	20
1622215-1	LR0204F30R	LR0204 1% 30R	20
1622219-1	LR0204F33R	LR0204 1% 33R	20
1622224-1	LR0204F36R	LR0204 1% 36R	20
1622228-2	LR0204F39R	LR0204 1% 39R	20
1622239-1	LR0204F43R	LR0204 1% 43R	20
1622243-2	LR0204F47R	LR0204 1% 47R	20
1622253-1	LR0204F51R	LR0204 1% 51R	20
1622265-1	LR0204F62R	LR0204 1% 62R	20
1622269-1	LR0204F68R	LR0204 1% 68R	20
1622278-2	LR0204F75R	LR0204 1% 75R	20
1622284-1	LR0204F82R	LR0204 1% 82R	20
1622293-1	LR0204F91R	LR0204 1% 91R	20
1614977-1	LR0204F100R	LR0204 1% 100R	20
1614981-1	LR0204F110R	LR0204 1% 110R	20
1614986-1	LR0204F120R	LR0204 1% 120R	20
1614992-1	LR0204F130R	LR0204 1% 130R	20
1622162-1	LR0204F150R	LR0204 1% 150R	20
1622167-1	LR0204F160R	LR0204 1% 160R	20
1622173-1	LR0204F180R	LR0204 1% 180R	20
1622190-1	LR0204F200R	LR0204 1% 200R	20

Part Number	Product Number	Description	Qty / Kit
1622194-1	LR0204F220R	LR0204 1% 220R	20
1622200-2	LR0204F240R	LR0204 1% 240R	20
1622205-1	LR0204F270R	LR0204 1% 270R	20
1622213-1	LR0204F300R	LR0204 1% 300R	20
1622217-1	LR0204F330R	LR0204 1% 330R	20
1622221-1	LR0204F360R	LR0204 1% 360R	20
1622226-1	LR0204F390R	LR0204 1% 390R	20
1622237-1	LR0204F430R	LR0204 1% 430R	20
1622241-1	LR0204F470R	LR0204 1% 470R	20
1622251-1	LR0204F510R	LR0204 1% 510R	20
1622255-1	LR0204F560R	LR0204 1% 560R	20
1622263-1	LR0204F620R	LR0204 1% 620R	20
1622267-1	LR0204F680R	LR0204 1% 680R	20
1622276-1	LR0204F750R	LR0204 1% 750R	20
1622282-1	LR0204F820R	LR0204 1% 820R	20
1622291-1	LR0204F910R	LR0204 1% 910R	20
1622180-1	LR0204F1K0	LR0204 1% 1K0	20
1622182-1	LR0204F1K1	LR0204 1% 1K1	20
1622183-1	LR0204F1K2	LR0204 1% 1K2	20
1622184-1	LR0204F1K3	LR0204 1% 1K3	20
1622185-1	LR0204F1K5	LR0204 1% 1K5	20
1622186-1	LR0204F1K6	LR0204 1% 1K6	20
1622187-1	LR0204F1K8	LR0204 1% 1K8	20
1622208-1	LR0204F2K0	LR0204 1% 2K0	20
1622209-1	LR0204F2K2	LR0204 1% 2K2	20
1622210-1	LR0204F2K4	LR0204 1% 2K4	20
1622211-1	LR0204F2K7	LR0204 1% 2K7	20
1622229-1	LR0204F3K0	LR0204 1% 3K0	20
1622230-1	LR0204F3K3	LR0204 1% 3K3	20
1622231-1	LR0204F3K6	LR0204 1% 3K6	20


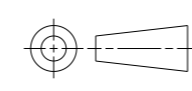
THIS DRAWING IS A CONTROLLED DOCUMENT.		DWN DHEERAJ M 15DEC 2021	 TE Connectivity	
DIMENSIONS: mm		CHK ALLAN P 15DEC 2021		
		APVD ALLAN P 15DEC 2021	NAME RESISTOR LAB KIT TYPE LR0204 SERIES	
TOLERANCES UNLESS OTHERWISE SPECIFIED: 0 PLC ± 0.2 1 PLC ± 0.1 2 PLC ± - 3 PLC ± - 4 PLC ± - ANGLES ± 5°		PRODUCT SPEC -	APPLICATION SPEC -	
MATERIAL -		FINISH -	WEIGHT -	RESTRICTED TO -
CUSTOMER DRAWING			SIZE A3	CAGE CODE 00779
			DRAWING NO C-1-1625873-0	SCALE 10:1
			SHEET 2 OF 3	REV BB

REVISIONS

P	LTR	DESCRIPTION	DATE	DWN	APVD
	-	SEE SHEET 1	-	-	-

Part Number	Product Number	Description	Qty / Kit
1622232-1	LR0204F3K9	LR0204 1% 3K9	20
1622246-1	LR0204F4K3	LR0204 1% 4K3	20
1622247-1	LR0204F4K7	LR0204 1% 4K7	20
1622258-1	LR0204F5K1	LR0204 1% 5K1	20
1622260-1	LR0204F5K6	LR0204 1% 5K6	20
1622272-1	LR0204F6K2	LR0204 1% 6K2	20
1622273-1	LR0204F6K8	LR0204 1% 6K8	20
1622279-1	LR0204F7K5	LR0204 1% 7K5	20
1622287-1	LR0204F8K2	LR0204 1% 8K2	20
1622295-1	LR0204F9K1	LR0204 1% 9K1	20
1614978-1	LR0204F10K	LR0204 1% 10K	20
1614982-1	LR0204F11K	LR0204 1% 11K	20
1614987-1	LR0204F12K	LR0204 1% 12K	20
1614996-1	LR0204F13K	LR0204 1% 13K	20
1622163-1	LR0204F15K	LR0204 1% 15K	20
1622168-1	LR0204F16K	LR0204 1% 16K	20
1622176-1	LR0204F18K	LR0204 1% 18K	20
1622191-1	LR0204F20K	LR0204 1% 20K	20
1622196-1	LR0204F22K	LR0204 1% 22K	20
1622201-1	LR0204F24K	LR0204 1% 24K	20
1622206-1	LR0204F27K	LR0204 1% 27K	20
1622214-1	LR0204F30K	LR0204 1% 30K	20
1622218-1	LR0204F33K	LR0204 1% 33K	20
1622222-1	LR0204F36K	LR0204 1% 36K	20
1622227-1	LR0204F39K	LR0204 1% 39K	20
1622238-1	LR0204F43K	LR0204 1% 43K	20
1622242-1	LR0204F47K	LR0204 1% 47K	20
1622252-1	LR0204F51K	LR0204 1% 51K	20
1622256-1	LR0204F56K	LR0204 1% 56K	20
1622264-1	LR0204F62K	LR0204 1% 62K	20

Part Number	Product Number	Description	Qty / Kit
1622268-1	LR0204F68K	LR0204 1% 68K	20
1622277-1	LR0204F75K	LR0204 1% 75K	20
1622283-1	LR0204F82K	LR0204 1% 82K	20
1622292-1	LR0204F91K	LR0204 1% 91K	20
1614976-1	LR0204F100K	LR0204 1% 100K	20
1614980-1	LR0204F110K	LR0204 1% 110K	20
1614985-1	LR0204F120K	LR0204 1% 120K	20
1614991-1	LR0204F130K	LR0204 1% 130K	20
1622161-1	LR0204F150K	LR0204 1% 150K	20
1622166-1	LR0204F160K	LR0204 1% 160K	20
1622172-1	LR0204F180K	LR0204 1% 180K	20
1622189-1	LR0204F200K	LR0204 1% 200K	20
1622193-1	LR0204F220K	LR0204 1% 220K	20
1622199-1	LR0204F240K	LR0204 1% 240K	20
1622204-1	LR0204F270K	LR0204 1% 270K	20
1622212-1	LR0204F300K	LR0204 1% 300K	20
1622216-2	LR0204F330K	LR0204 1% 330K	20
1622220-1	LR0204F360K	LR0204 1% 360K	20
1622225-1	LR0204F390K	LR0204 1% 390K	20
1622236-1	LR0204F430K	LR0204 1% 430K	20
1622240-1	LR0204F470K	LR0204 1% 470K	20
1622250-1	LR0204F510K	LR0204 1% 510K	20
1622254-1	LR0204F560K	LR0204 1% 560K	20
1622262-1	LR0204F620K	LR0204 1% 620K	20
1622266-1	LR0204F680K	LR0204 1% 680K	20
1622275-1	LR0204F750K	LR0204 1% 750K	20
1622281-1	LR0204F820K	LR0204 1% 820K	20
1622290-1	LR0204F910K	LR0204 1% 910K	20
1622188-1	LR0204F1M0	LR0204 1% 1M0	20

THIS DRAWING IS A CONTROLLED DOCUMENT.		DWN DHEERAJ M 15DEC 2021	 TE Connectivity	
DIMENSIONS: mm		CHK ALLAN P 15DEC 2021		
TOLERANCES UNLESS OTHERWISE SPECIFIED:		APVD ALLAN P 15DEC 2021	NAME RESISTOR LAB KIT TYPE LR0204 SERIES	
		PRODUCT SPEC -	RESTRICTED TO -	
MATERIAL -		FINISH -	APPLICATION SPEC -	SIZE A3
		WEIGHT -	CAGE CODE 00779	DRAWING NO G-1-1625873-0
CUSTOMER DRAWING			SCALE 10:1	SHEET 3 OF 3
			REV BB	