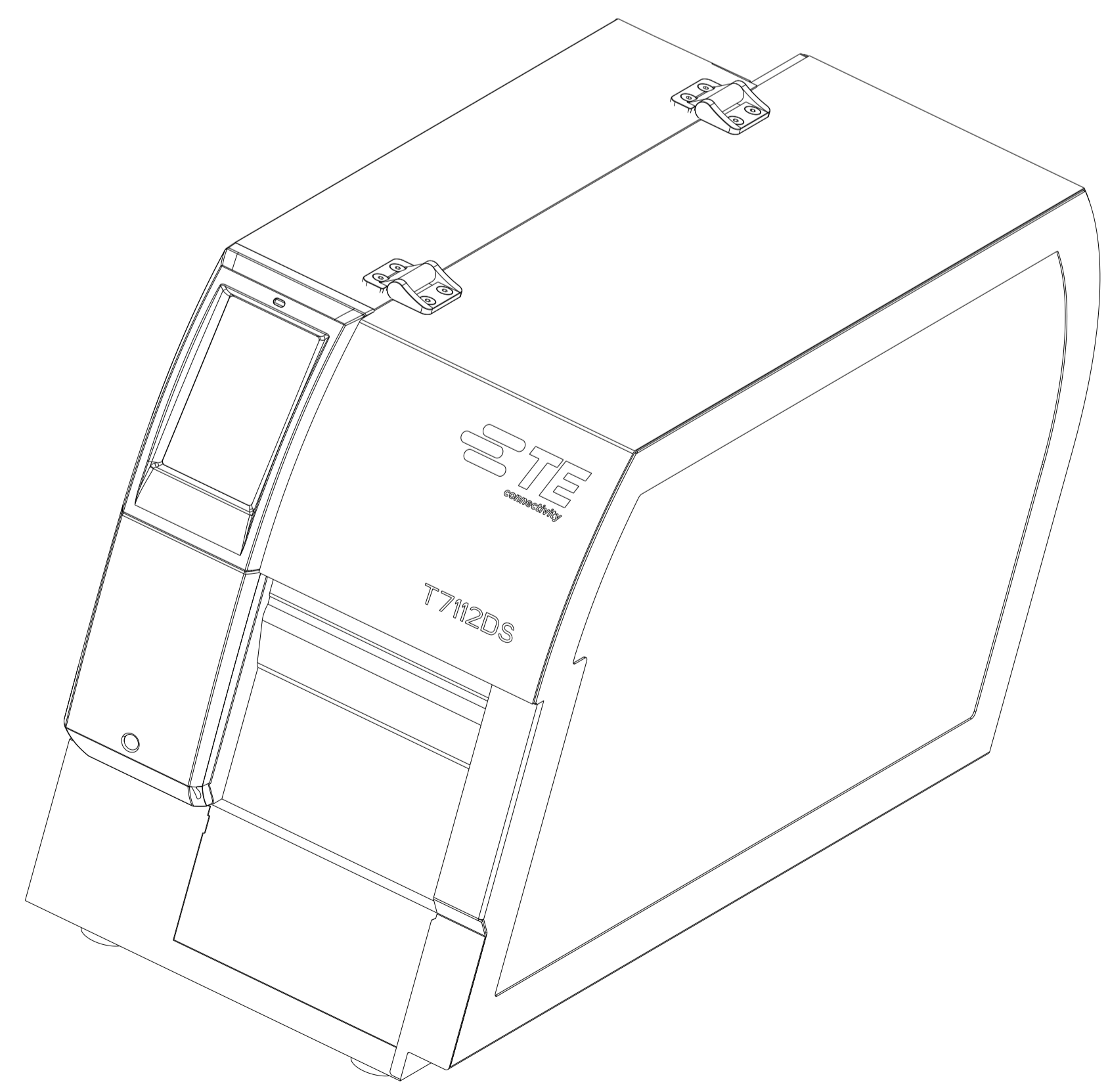
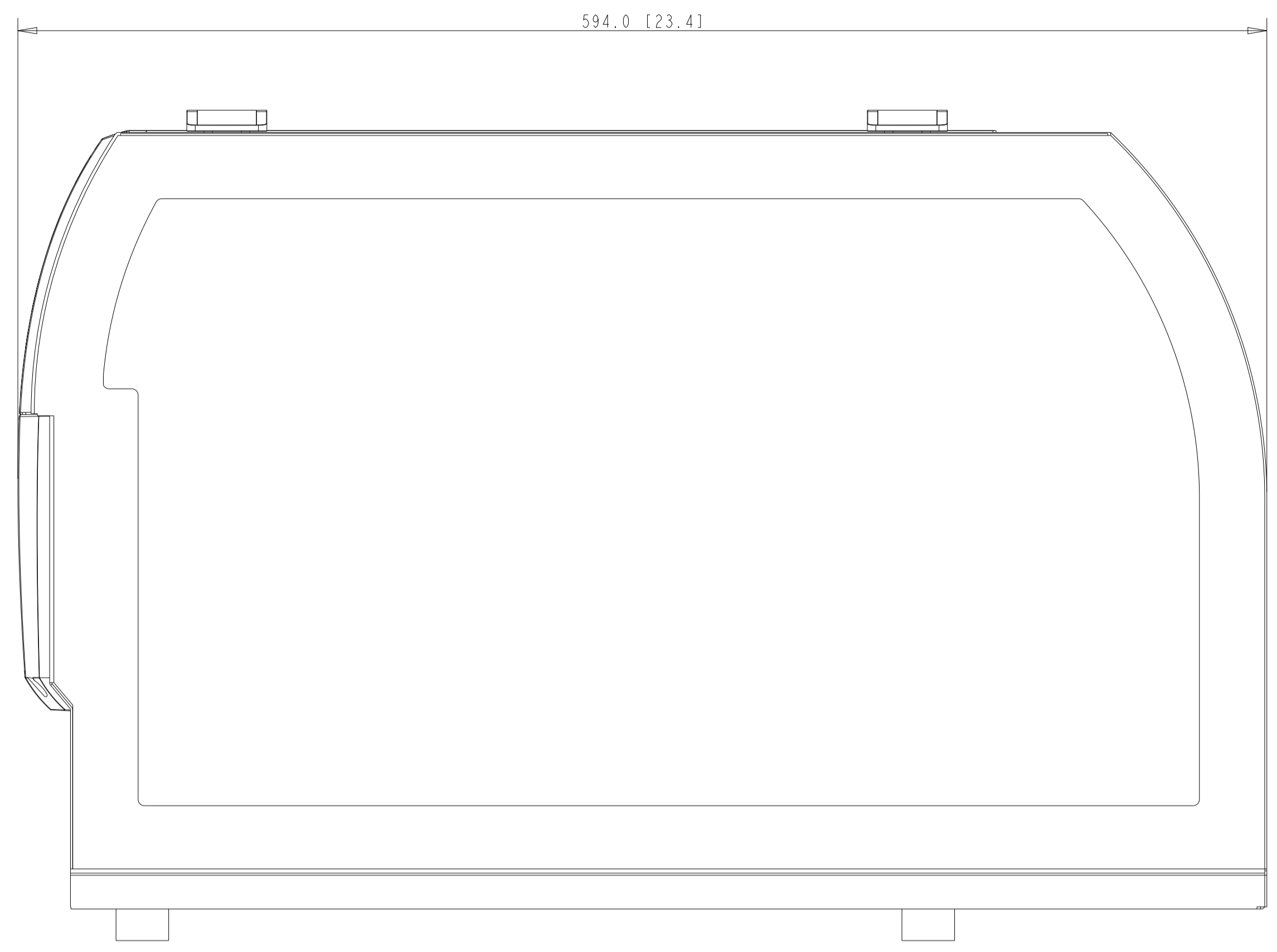
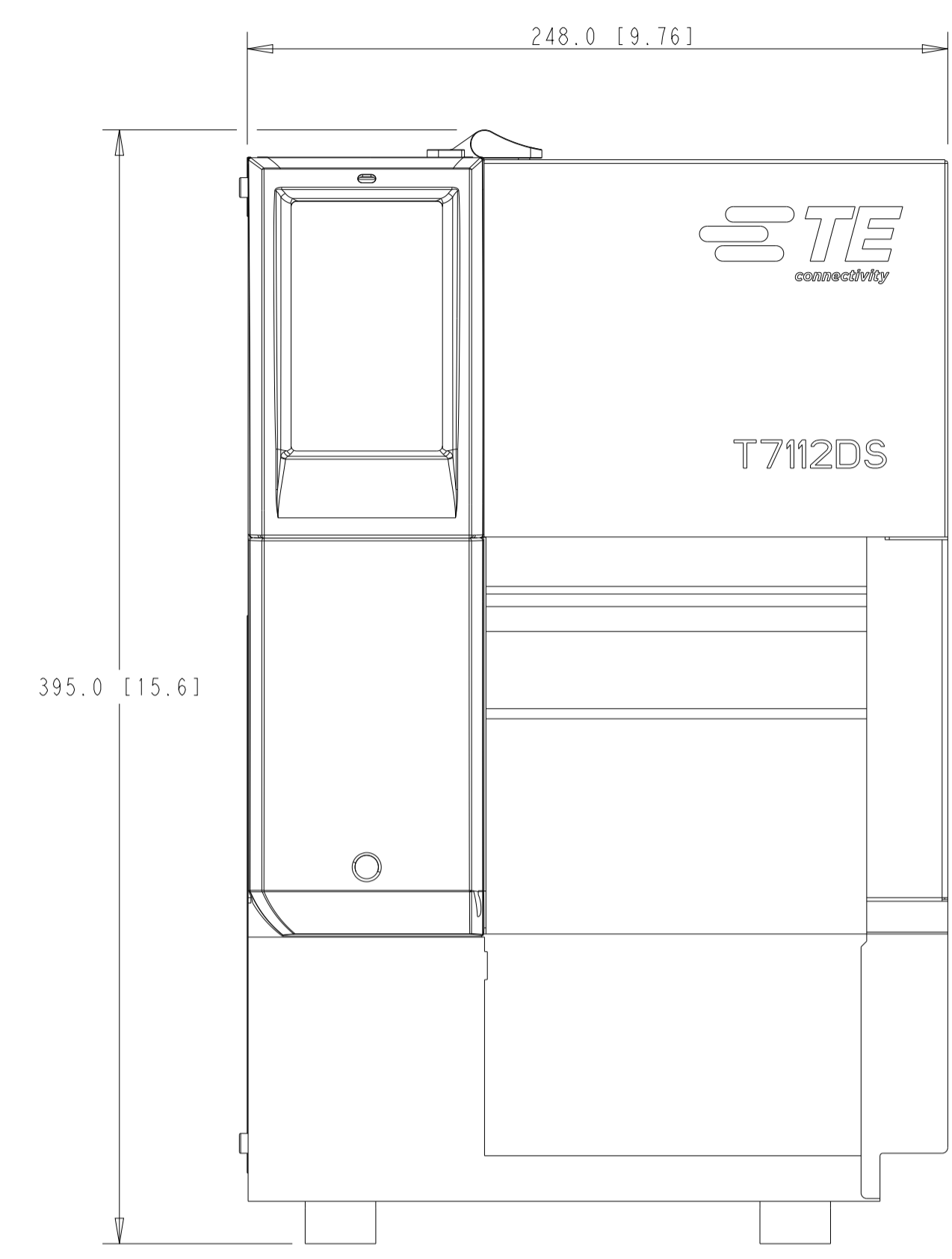


REVISIONS				
P	LTN	DESCRIPTION	DATE	APVD
A		INITIAL RELEASE	27JUL2023	AD HD



SCALE 2:5

TTDS-286	T7112DS-SWARE-PRINTER	1-2186577-1
TTDS-286	T7112DS-PRINTER	1-2186576-1
TECHNICAL DATA SHEET	PART DESCRIPTION	TE PART NUMBER

THIS DRAWING IS A CONTROLLED DOCUMENT.

DIMENSIONS: mm [IN]	TOLERANCES UNLESS OTHERWISE SPECIFIED:	0 PLC ±	1 PLC ±0.1	2 PLC ±0.01	3 PLC ±0.001	4 PLC ±0.0001	ANGLES ±	FINISH
		DWN AKSHAY M. DADAWAD 27JUL2023 CHK HEMNATH D. 27JUL2023 APVD HEMNATH D. 27JUL2023 PRODUCT SPEC SEE TABLE APPLICATION SPEC MATERIAL - WEIGHT 21 Kg [46.3 lb] CUSTOMER DRAWING						
NAME T7112DS-PRINTER SIZE CAGE CODE DRAWING NO. 00779 SCALE 5:1 SHEET 1 OF 1 REV A		RESTRICTED TO						