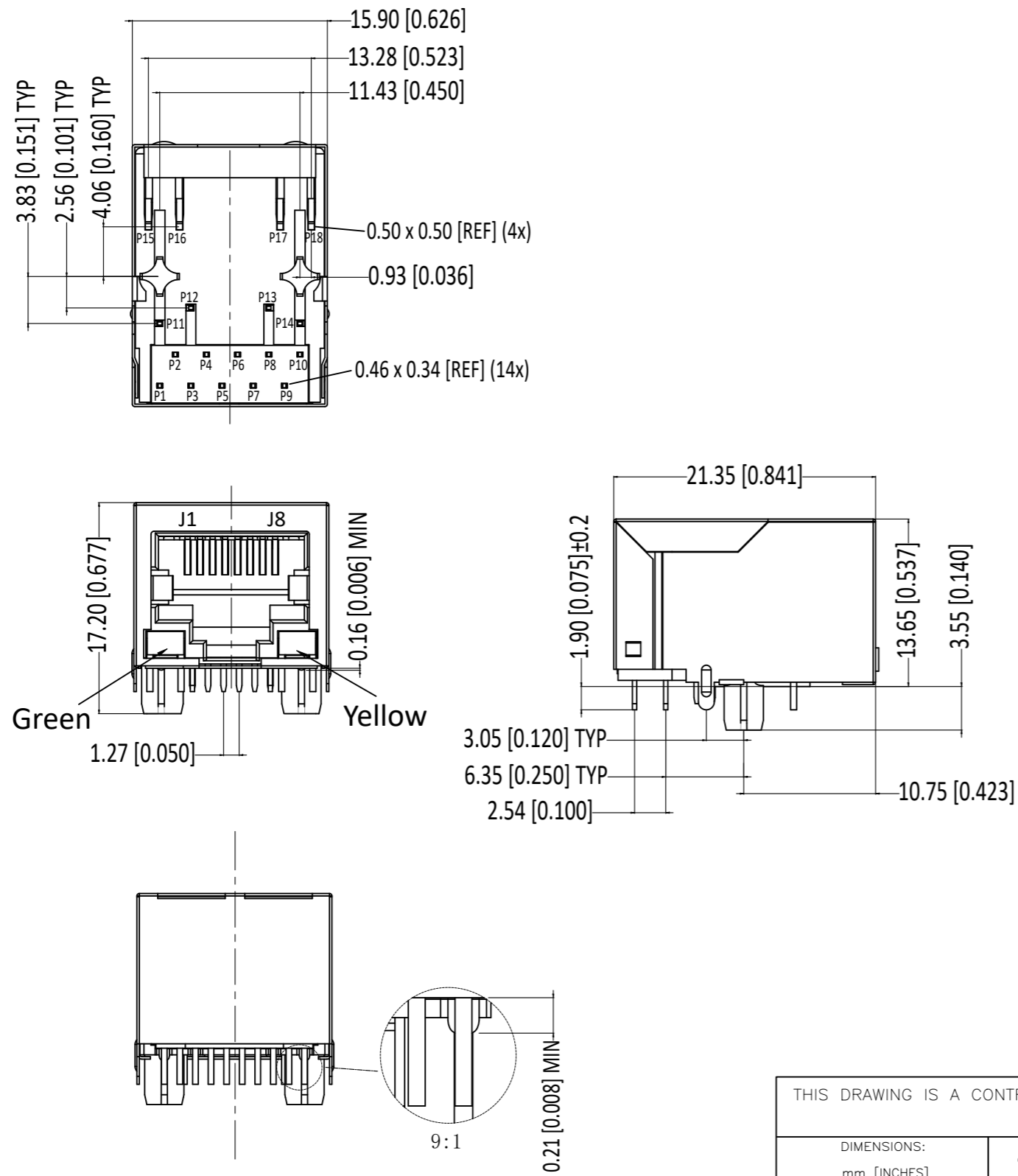
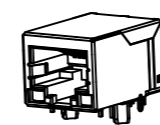


P	LTR	DESCRIPTION	DATE	DWN	APVD
A1		RELEASED DRAWING	08AUG2023	NM	LET



- 1 **CONNECTOR MATERIAL:**
 HOUSING: LCP BLACK UL94 V-0
 INSERT: LCP BLACK UL94 V-0
 SHIELD: BRASS
 SHIELD PLATING: NICKEL
 CONTACT: COPPER ALLOY
 CONTACT PLATING: SELECTIVE GOLD, MIN. 0.76µm (30µinch) IN CONTACT AREA
 OVER MIN. 1.27µm (50µinch) NICKEL
 SOLDER PIN PLATING: 3.05µm (120µinch) TIN OVER 1.27µm (50µinch) NICKEL
 OVER ALL
 SHIELDING PIN PLATING: NICKEL
- 2 PIN NOT ELECTRICALLY CONNECTED MAYBE OMITTED SEE ELECTRICAL CIRCUIT DIAGRAM FOR OMITTED PINS
- 3 RJ45 CAVITY DIMENSION CONFORM TO FCC PART 68
- 4 THE PART IS RECOMMENDED FOR REFLOW SOLDERING PROCESS PEAK SOLDERING: TEMPERATURE MAX. +260°C, MAX. 10s
- 5 OPERATING TEMPERATURE: T= -40°C TO +85°C
- 6 STORAGE TEMPERATURE: T= -40°C TO +85°C
- 7 **UNLESS OTHERWISE SPECIFIED, SEE TABLE FOR ALL DIMENSIONS TOLERANCES**
- 8 JACK CONFIGURATION: 1 x 1
 TAB DIRECTION: DOWN
- 9 PACKAGING: REEL (T+R) ACCORDING TO PACKAGING SPECIFICATION 107-18116



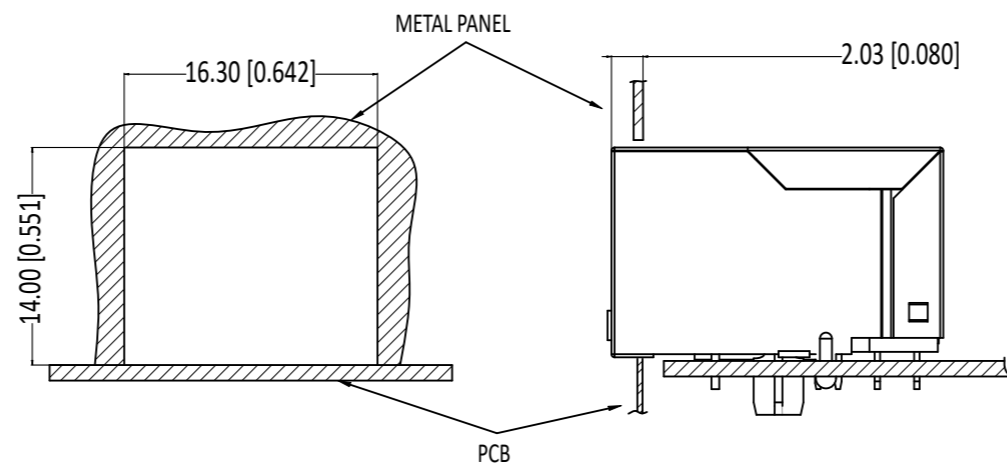
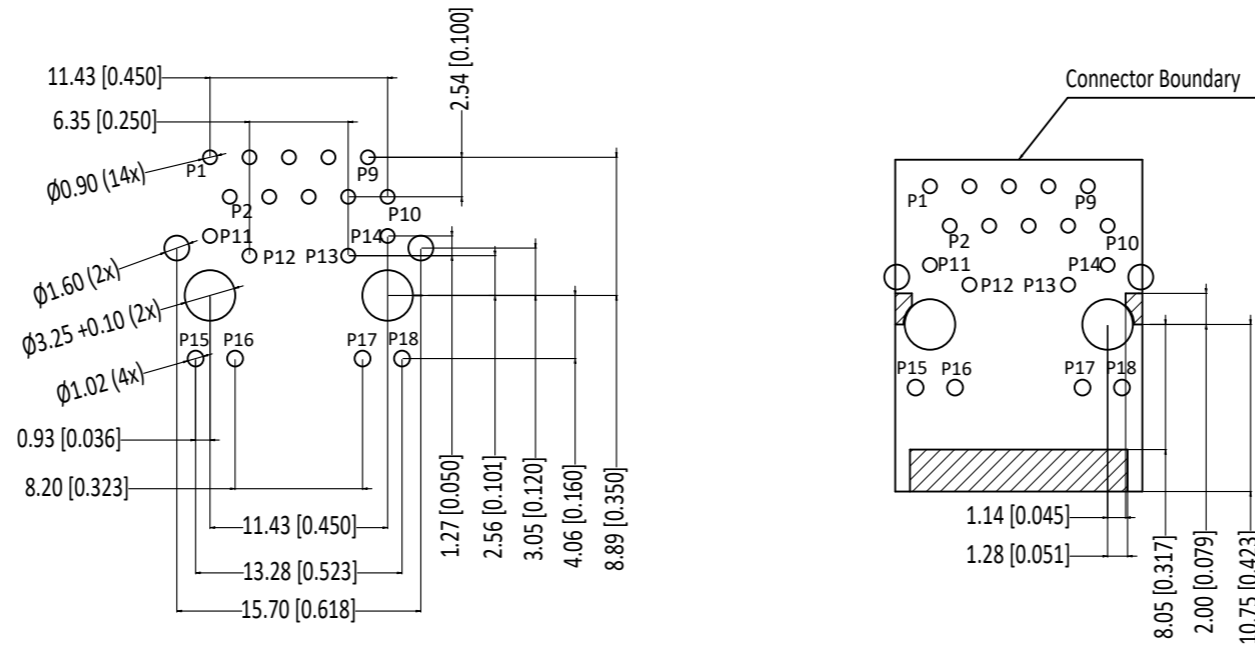
1:1

TABLE OF TOLERANCE (mm)	
RANGE	TOLERANCE
0-10	±0.15
>10-40	±0.25
>40-70	±0.30
>70	±0.40

THIS DRAWING IS A CONTROLLED DOCUMENT.		DWN S. SHARMA 09MAY2023	TE Connectivity Ltd.	
		CHK N MANTIKOU 08AUG2023		
		APVD T LEININGER 08AUG2023	NAME	
		PRODUCT SPEC	RJ45 JACK INT.MAG. POE 1Gb LED 1x1	
		APPLICATION SPEC	-	
		WEIGHT	SIZE	RESTRICTED TO
		-	A3 00779	-
		CUSTOMER DRAWING	C=1-2337992-8	
		SCALE	SHEET	REV
		3:1	1 of 3	A1

P	LTR	DESCRIPTION	DATE	DWN	APVD
-	-	SEE SHEET 1	-	-	-

SUGGESTED PCB LAYOUT

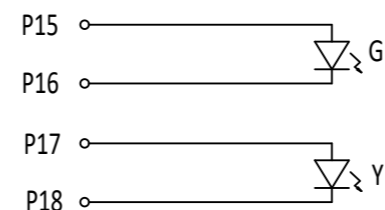
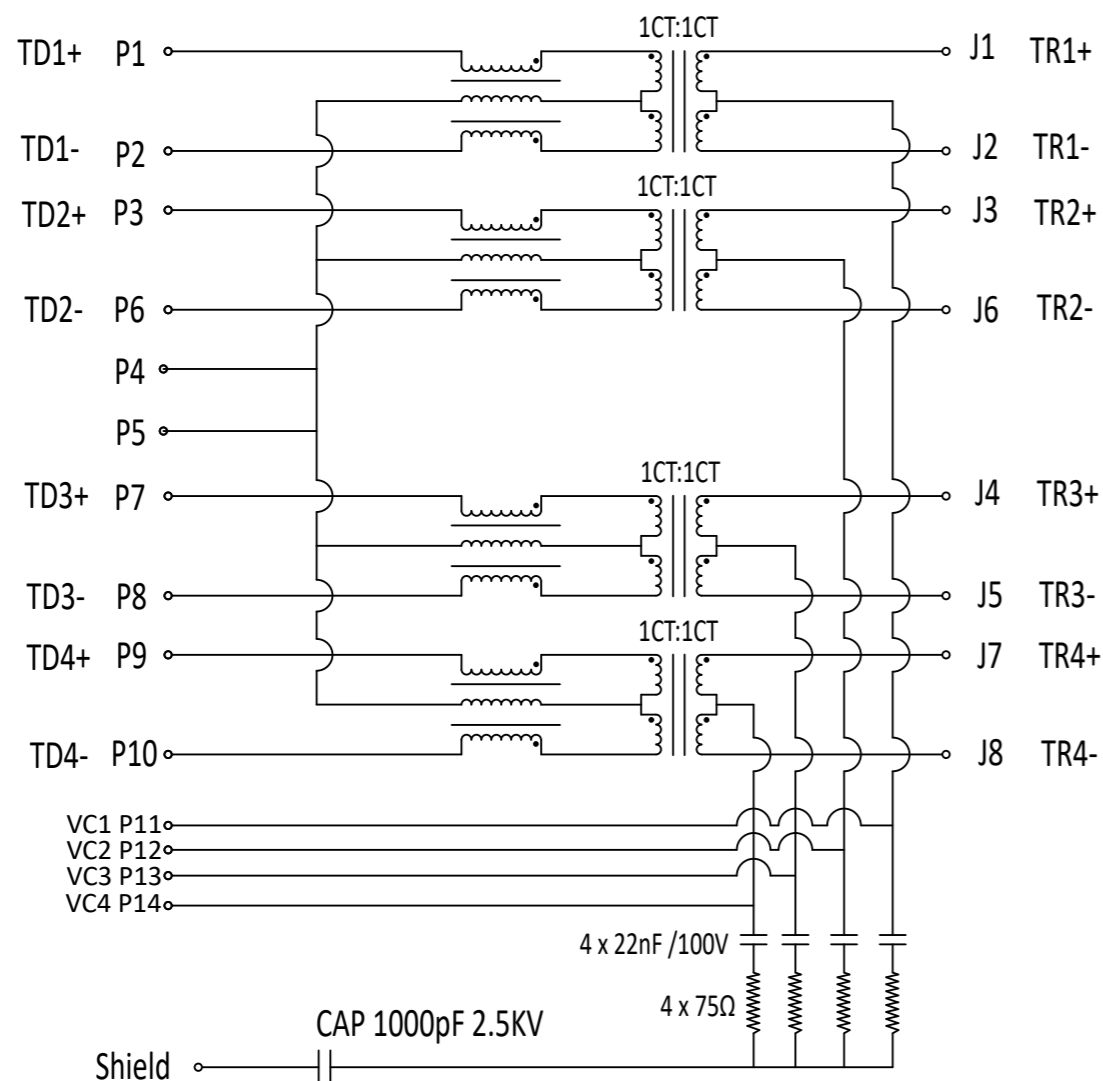


UNIT: mm / inch
 TOLERANCES: ±0.10 / 0.004
 ONLY FOR THIS VIEW

THIS DRAWING IS A CONTROLLED DOCUMENT.		DWN S. SHARMA 09MAY2023	TE Connectivity Ltd.	
		CHK N MANTIKOU 09MAY2023		
		APVD J. DE BRUIJN 09MAY2023	NAME RJ45 JACK INT.MAG. POE 1Gb LED 1x1	
DIMENSIONS: mm [INCHES]		TOLERANCES UNLESS OTHERWISE SPECIFIED:		PRODUCT SPEC 108-94694
		0 PLC ± - 1 PLC ± - 2 PLC ± - 3 PLC ± - 4 PLC ± - ANGLES ± -		APPLICATION SPEC 114-94556
MATERIAL		FINISH		WEIGHT -
CUSTOMER DRAWING			SIZE A3	CAGE CODE 00779
			DRAWING NO C=1-2337992-8	RESTRICTED TO -
			SCALE 3:1	SHEET 2 of 3
			REV A1	

P	LTR	DESCRIPTION	DATE	DWN	APVD
-	-	SEE SHEET 1	-	-	-

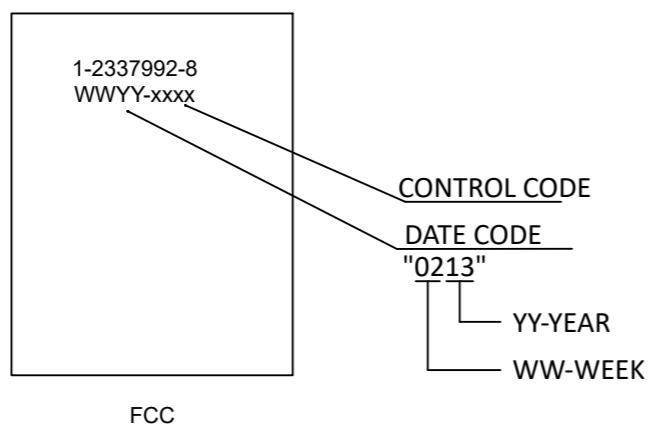
ELECTRICAL CIRCUIT DIAGRAM



Pin	Green	Pin	Yellow
P15	+	P17	+
P16	-	P18	-

WIRE BONDED, $V_F = 1.8V \sim 2.4V$, $I_F = 20mA$

- TURN RATIO @100KHz: $(P1-P2):(J1-J2) = 1:1 \pm 2\%$
 $(P3-P6):(J3-J6) = 1:1 \pm 2\%$
 $(P7-P8):(J4-J5) = 1:1 \pm 2\%$
 $(P9-P10):(J7-J8) = 1:1 \pm 2\%$
- PRIMARY INDUCTANCE: 350uH MIN. @100KHz, 0.1V 8mA DC BIAS
- DC RESISTANCE: 1.2 OHMS MAX.
- INSERTION LOSS: 1-100MHz -1.0dB MAX.
 100-125MHz -1.2dB MAX.
- RETURN LOSS: 1-40MHz -16dB MIN. (@40MHz -17.0dB TYP)
 40-100MHz -10dB+20log(f/80MHz) MIN.
 (@100MHz -9.0dB TYP)
- CROSS TALK: 1-100MHz -30dB MIN.
- COMMON TO COMMON MODE ATTENUATION: 1-100MHz -30dB MIN.
- ISOLATION: PHY SIDE TO LINE SIDE: 2250VDC
- DC CURRENT/VOLTAGE RATING-PSE PINS: 720mA MAX. @57VDC (CONTINUOUS)



THIS DRAWING IS A CONTROLLED DOCUMENT.		DWN S. SHARMA 09MAY2023	TE Connectivity Ltd.	
DIMENSIONS: mm [INCHES]		CHK N MANTIKOU 08AUG2023		
TOLERANCES UNLESS OTHERWISE SPECIFIED:		APVD T LEININGER 08AUG2023	NAME RJ45 JACK INT.MAG. POE 1Gb LED 1x1	
0 PLC ± -		PRODUCT SPEC 108-94694	RESTRICTED TO	
1 PLC ± -		APPLICATION SPEC 114-94556	SIZE A3	CAGE CODE 00779
2 PLC ± -		WEIGHT -	DRAWING NO C=1-2337992-8	
3 PLC ± -		CUSTOMER DRAWING	SCALE 3:1	SHEET 3 of 3
4 PLC ± -				REV A1
ANGLES ± -				
FINISH 1				