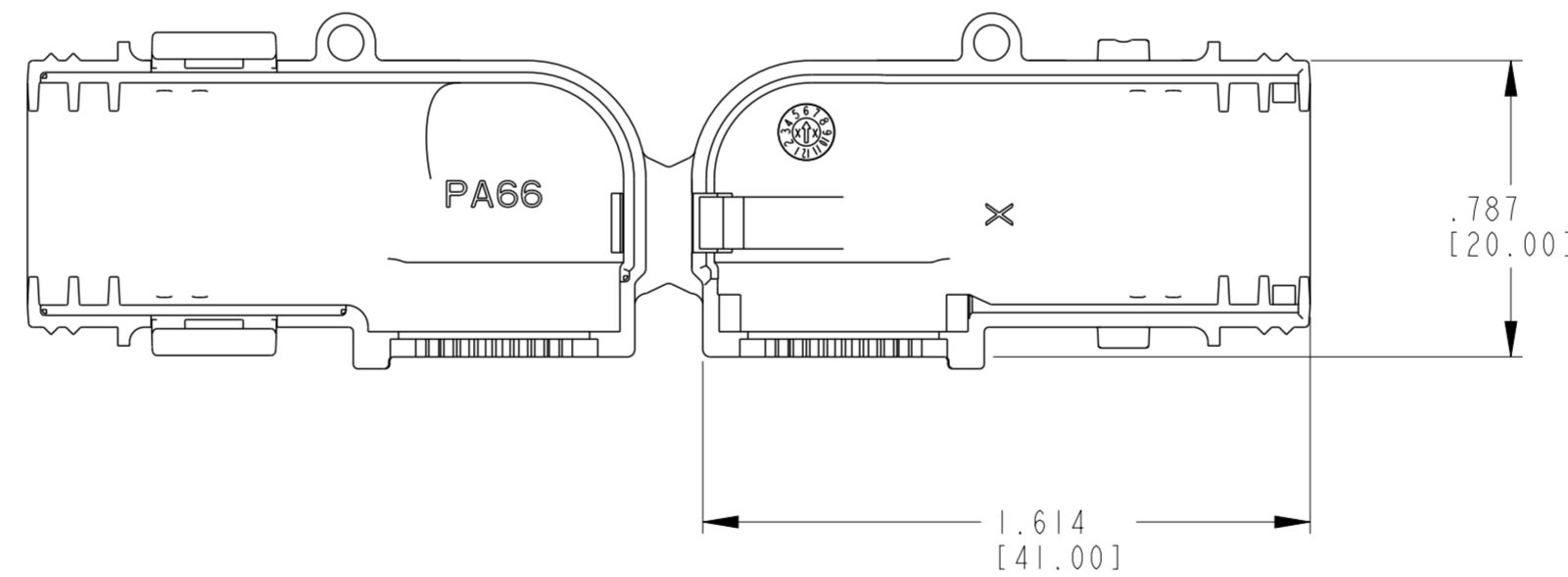
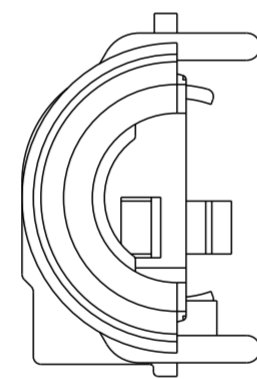
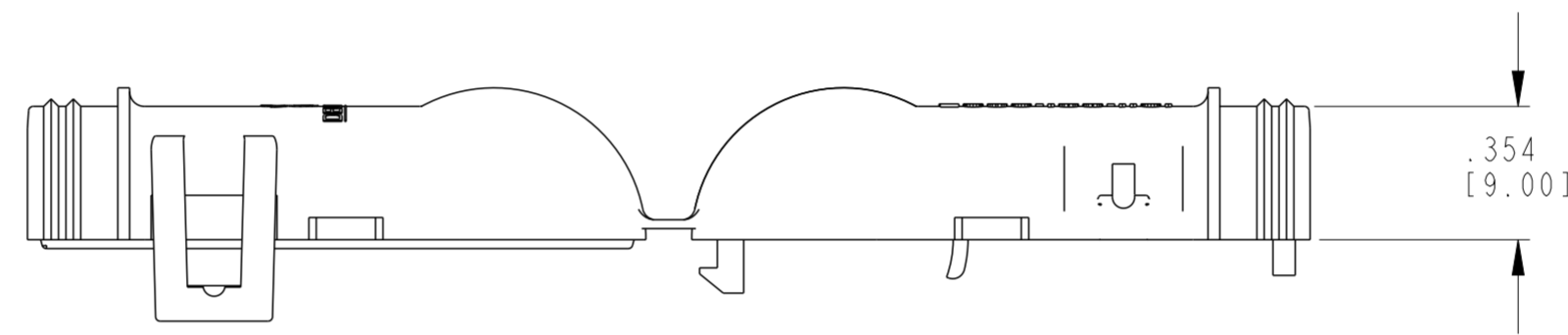
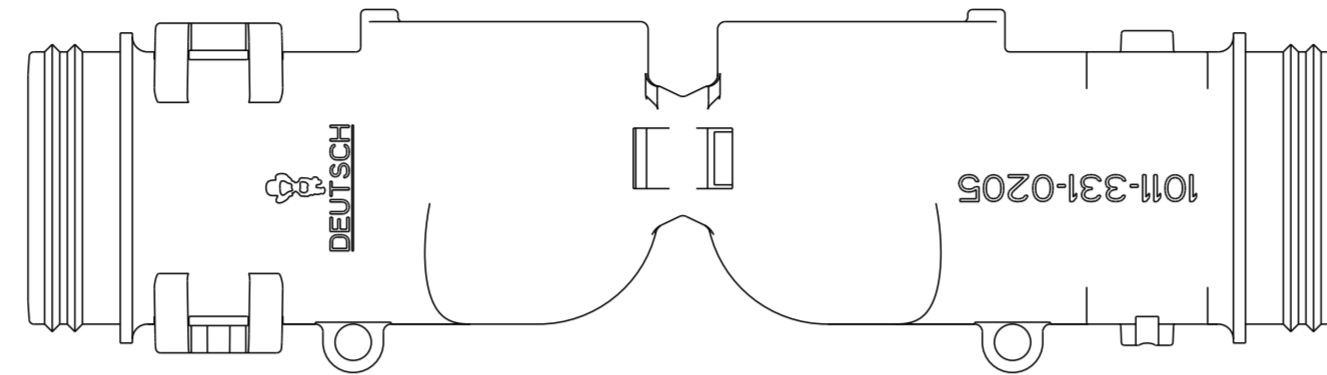


REVISIONS


P	LTR	DESCRIPTION	DATE	DWN	APVD
NC		NEW RELEASE PER E.O. P20243	07/21/2009		RDR
A		REVISED PER E.O. P20318	09/18/2009		RDR
B		REVISED PER E.O. P21308	RDR		RDR
BI		REVISED PER PCN-20-009960	07JUL2020	AP	IG



2. THIS PART ACCOMMODATES CORRUGATED TUBING SIZES 10 AND 8.5 mm.

1. THIS PART MATES WITH ANY 2 WAY DT CONNECTOR WITH ANY MODIFICATION THAT INCLUDES A DIN BACKSHELL ADAPTER END CAP.

NOTES:

THIS DRAWING IS A CONTROLLED DOCUMENT.		DWN R. MESSENGER 06/08/2009	 TE Connectivity			
DIMENSIONS: IN [MM]		CHK B. BYFORD 04/06/2012				
TOLERANCES UNLESS OTHERWISE SPECIFIED: 0 PLC ± 1 PLC ± 2 PLC ± 3 PLC ±.025 [.63] 4 PLC ± ANGLES ± FINISH		APVD S. BEARD 04/05/2012	NAME 2 WAY DIN BACKSHELL DT SERIES			
MATERIAL PA 66	FINISH BLACK	PRODUCT SPEC	SIZE A2	CAGE CODE 00779	DRAWING NO G-1011-331-0205	RESTRICTED TO -
CUSTOMER DRAWING		WEIGHT 4 GR	SCALE 1:1	SHEET OF	REV BI	