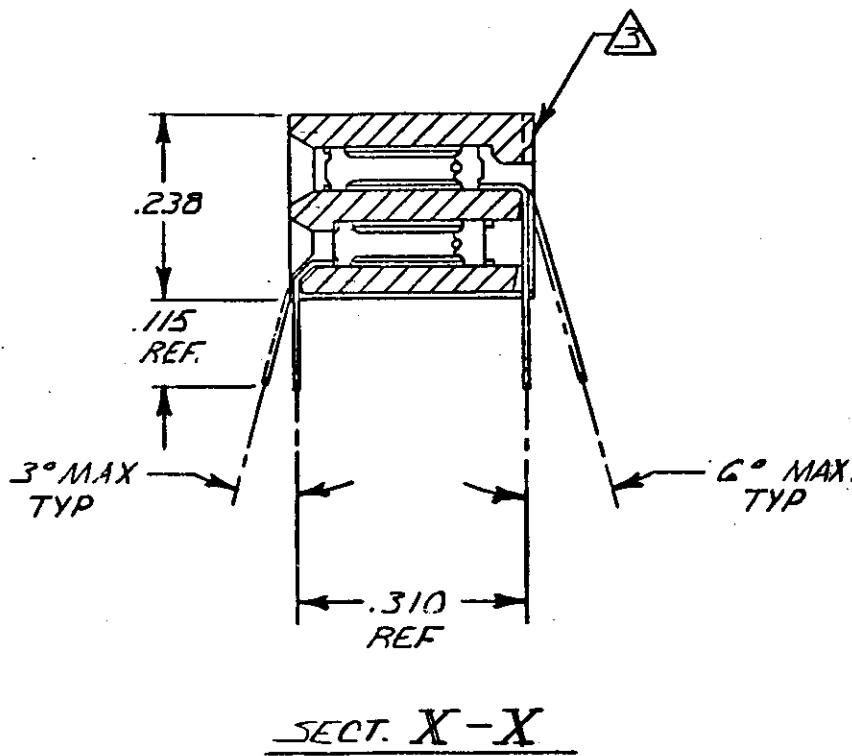
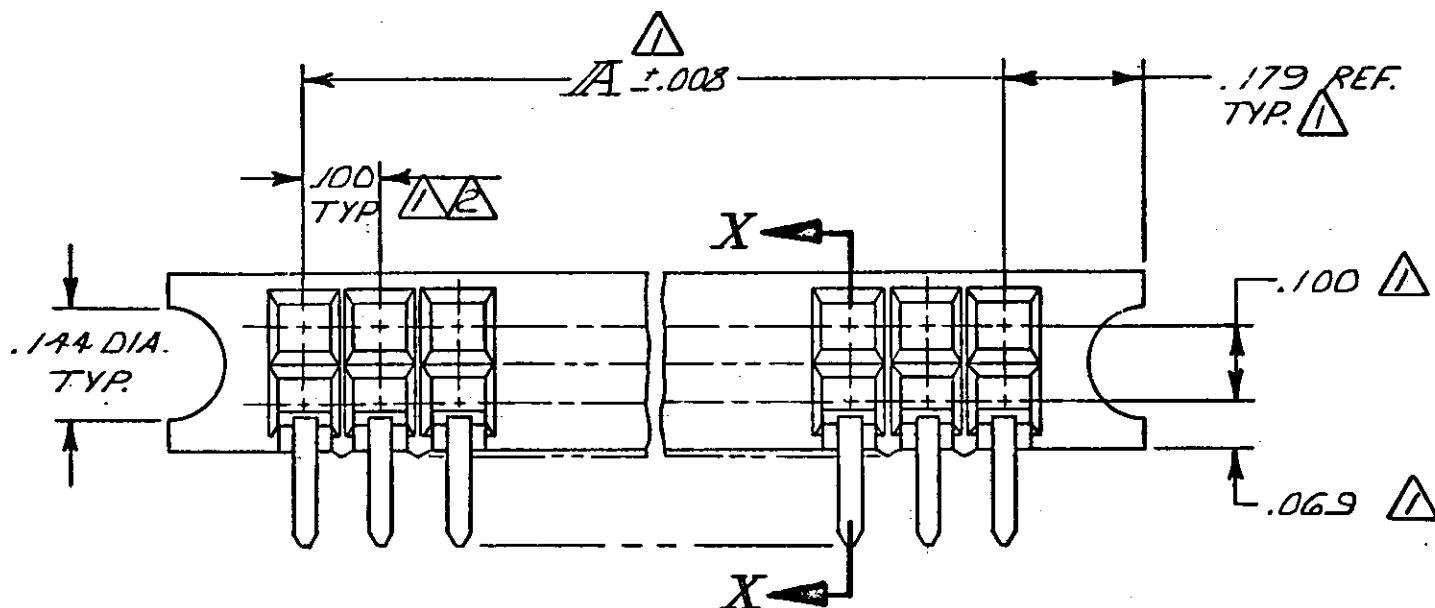
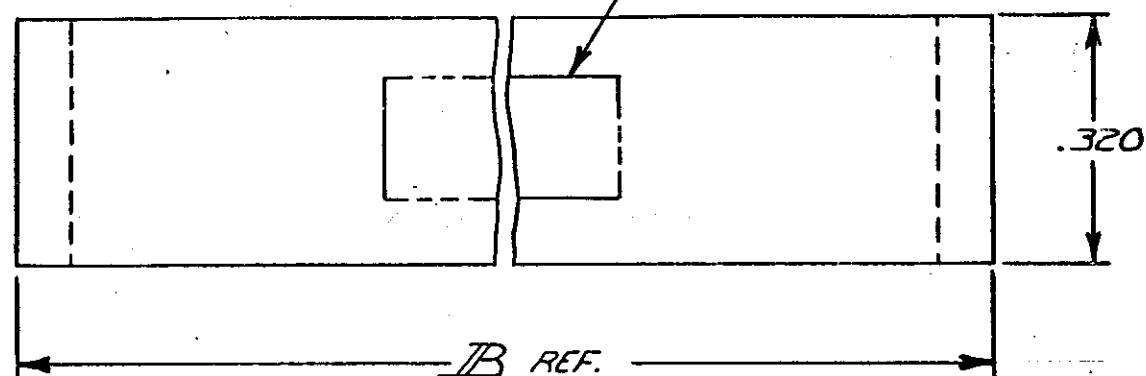


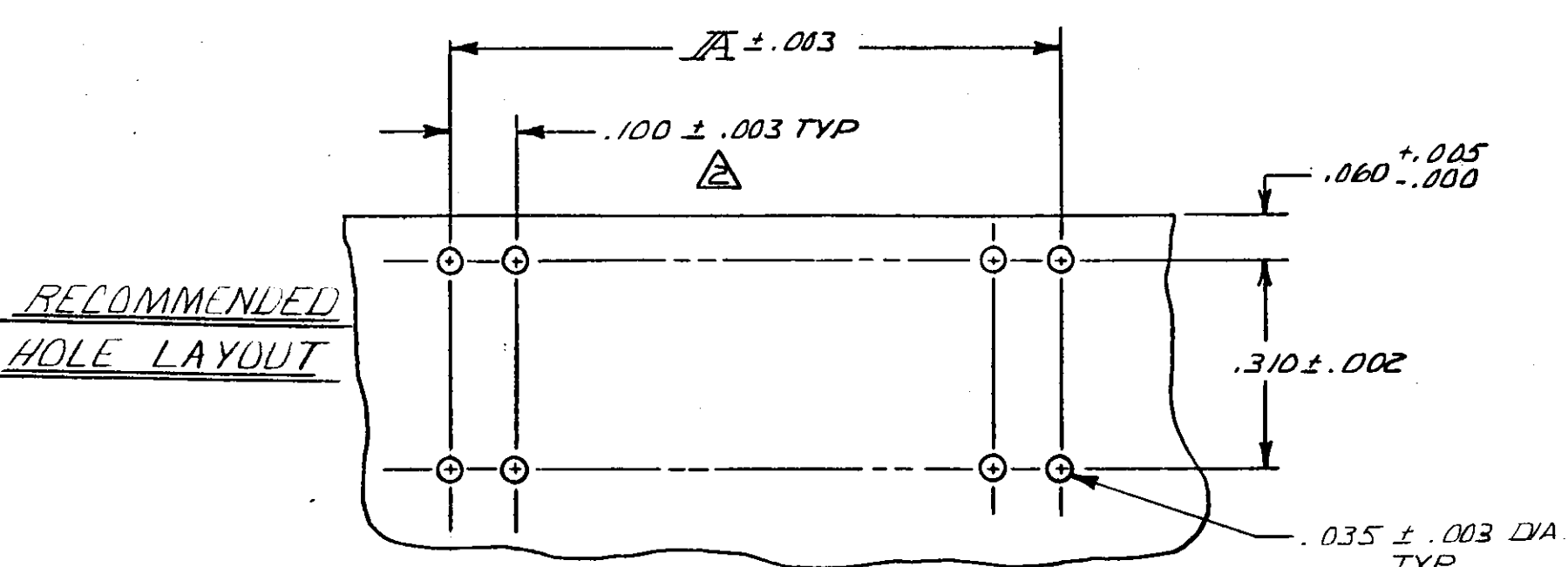
RELEASED FOR PUBLICATION  
 © COPYRIGHT 19 BY AMP INCORPORATED, HARRISBURG, PA. ALL INTERNATIONAL RIGHTS RESERVED. AMP PRODUCTS MAY BE COVERED BY U.S. AND FOREIGN PATENTS AND/OR PATENTS PENDING.

P	F	ZONE	LTR	DESCRIPTION	DATE	APPROVED
			A	REDWN. PER ECN 4468		
			A1	ADD 1--5 & 1--7 ECN 4565	11-2-83	
			A2	REV. PER ECN 7654	2-4-83	
			A3	ADDED 1--9, 2--0, 2--1, ECN 4728	10-13-83	
			A4	ADDED 2--2 8636 M.S.	9-83	
			A5	ADDED 2--3, ECN 0055	11-14-83	
			A6	REV. PER ECN AB-0642, 0731	3-13-85	DRS
			A7	REV. PER ECN AD 2121	12-1-81	DRS
			B	REV. PER ECN AD 2612	6-88	DRS
			C	ECN AD-3511	1-20-90	DRS
			D	ECN AD-6574	1-18-93	DRS
			E	ECN 0010-0250-92	1-18-93	DRS
			F	REV PER 0010-1745-93	2-2-94	DRS

INK STAMP (WHITE) "AMP" PART NUMBER, DATE CODE, AND THE WORD "FRONT" AND  $\text{CA}$  LOGO .062±.015 HIGH CHARACTERS IN THE APPROXIMATE CENTER OF HOUSING IF HOUSING SIZE PERMITS.  $\Delta$



OBsolete		.958	.600	14	2-102584-3
	2-532955-7	8.258	7.900	160	2-102584-2
OBsolete					
OBsolete		4.558	4.200	88	1-102584-7
	1-532955-1	3.858	3.500	72	1-102584-6
	1-532955-7	5.758	5.400	110	1-102584-5
OBsolete		4.758	4.400	90	1- -4
	532955-5	1.758	1.400	30	1- -3
	532955-7	2.258	1.900	40	1- -2
	532955-3	1.258	.900	20	1- -1
	1-532955-0	3.758	3.400	70	1- -0
	1-532955-5	5.058	4.700	96	-9
	532955-6	2.058	1.700	36	-8
	532955-4	1.458	1.100	24	-7
	532955-1	.858	.500	12	-6
	1-532955-6	5.258	4.900	100	-5
	532955-9	3.258	2.900	60	-4
	532955-8	2.758	2.400	50	-3
	1-532955-2	4.258	3.900	80	-2
	1-532955-8	6.258	5.900	120	102584-1
SUPERSEDED BY	B	A	NO. OF POS.		PART NO



- $\Delta$  THESE DIMENSIONS APPLY TO CENTERLINES ONLY - NOT CONTACT LOCATIONS.
- $\Delta$  TOLERANCE NON-CUMULATIVE.
- $\Delta$  SLOTS ARE OPTIONAL.
- $\Delta$  FOR HOUSINGS SMALLER THAN 16 POSITIONS, MARK AS FOLLOWS:  
 14, 12, AND 10 POSITIONS - "AMP" & PART NO. ONLY;  
 8 POSITIONS AND SMALLER - "AMP" ONLY.
- $\Delta$  .000015 GOLD IN CONTACT AREA, .000050-.000100 BRIGHT TIN-LEAD ON SOLDER TAILS, ALL OVER .000050 NICKEL.

UNLESS OTHERWISE SPECIFIED DIMENSIONS ARE IN INCHES. TOLERANCES ON: DECIMALS ± .005 ANGLES ±	CONTRACT NO DR CHK APPD DSGN APPD OTHER APPD	AMP INCORPORATED Harrisburg, Pa. 17105
MATERIAL USE: FLAME RETARDANT THERMOPLASTIC COLOR: BLACK CONTACTS: PHOS. BRONZE FINISH CONTACTS: $\Delta$	DR CHK APPD DSGN APPD OTHER APPD	NAME ASSEMBLY, RECEPTACLE, MOD II, DOUBLE ROW, .100 X .100 Q, WITH MATING EARS
	SIZE C	FSCM NO 00779
		DRAWING NO 102584
	SCALE 4:1	SHEET