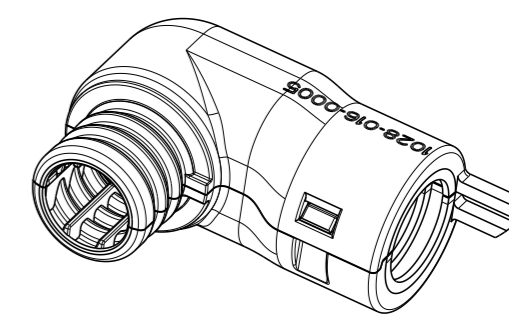
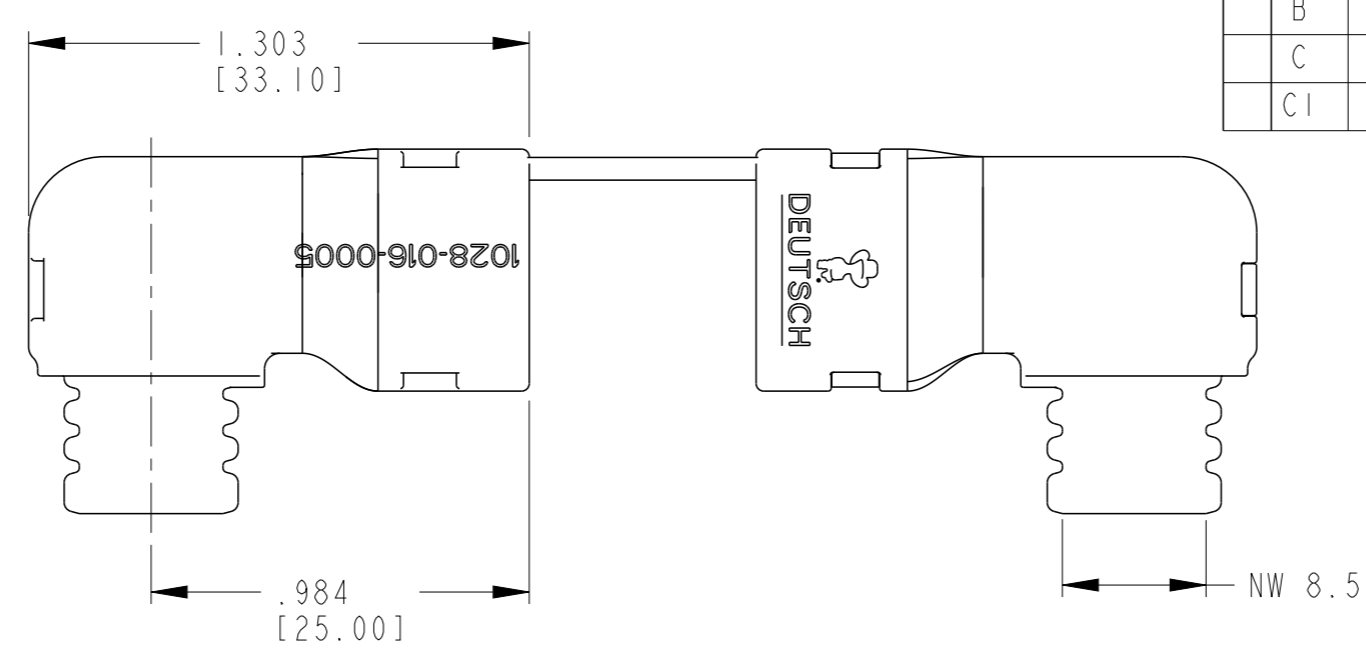
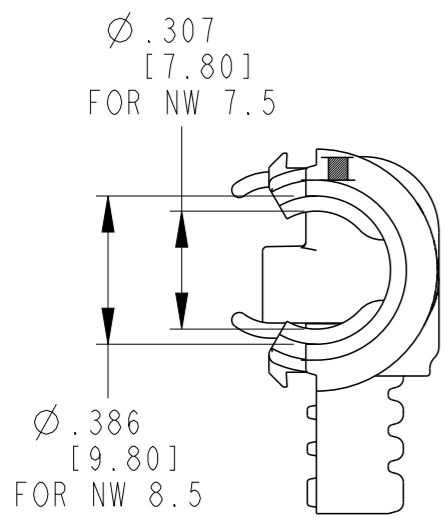
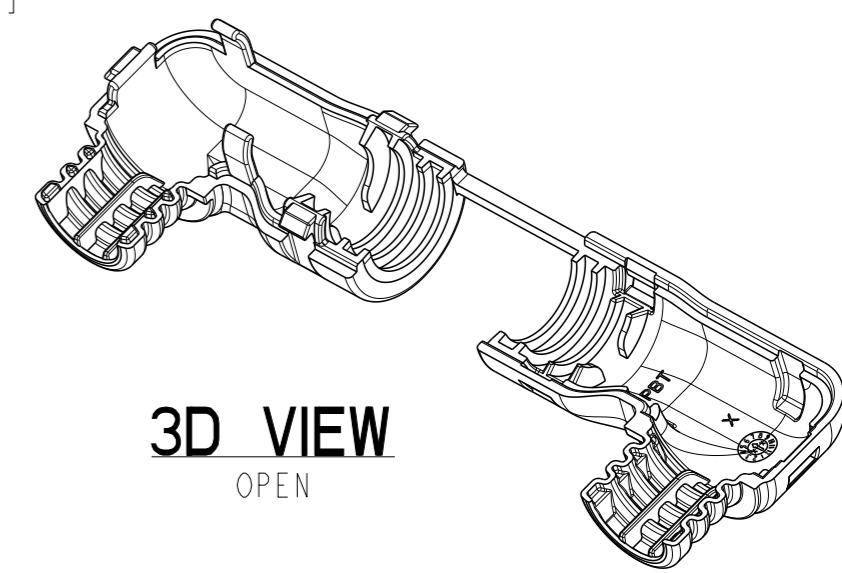
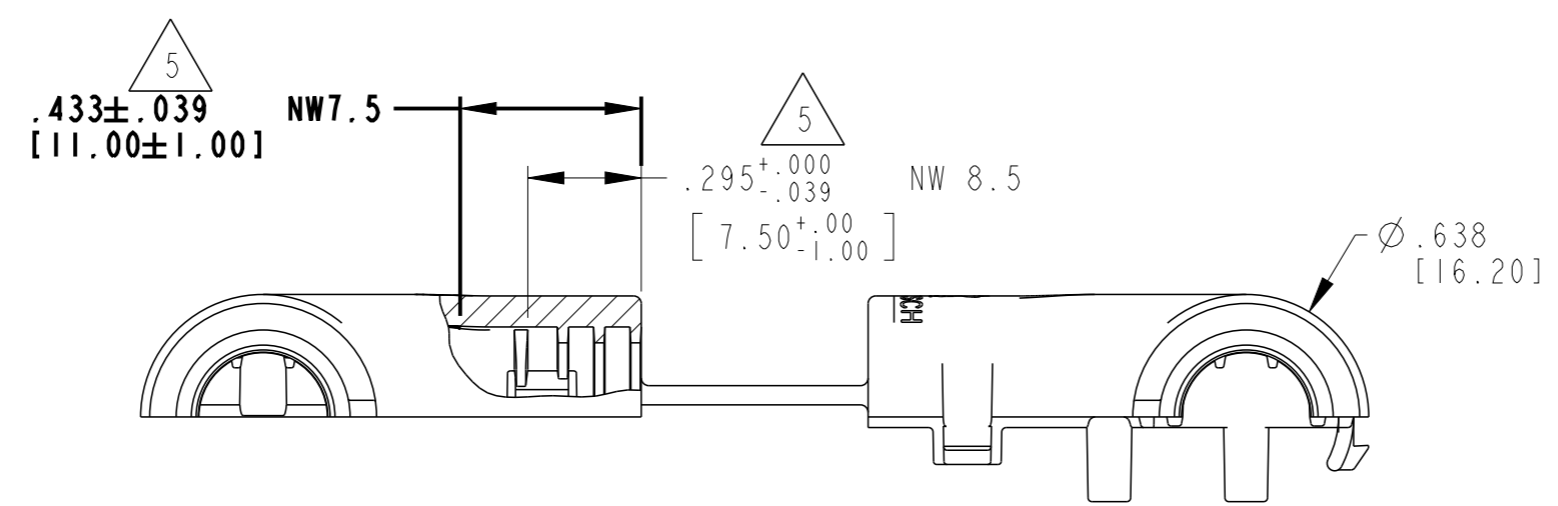


P	LTR	DESCRIPTION	DATE	DWN	APVD
A		REVISED/REDRAWN PER E.O. P20667	08APR2011	-	RDR
B		REVISED PER E.O. P20946	31MAY2011	-	RDR
C		REVISED PER PCN-23-175959	04MAY2023	MK	AW
CI		REVISED PER PCN-24-199045	18JAN2024	RK	AW



3D VIEW
CLOSED



3D VIEW
OPEN

- 5 DIMENSION SHOWN INDICATES PROPER DEPTH TO ASSEMBLE NOTED CONVOLUTE TUBE SIZE.
- 4. DESIGNED FOR USE WITH DTM/DTMH BACKSHELL PART NUMBERS 1028-041-0205, 1028-005-0305, & 1028-008-0405.
- 3 MATERIAL: PBT, COLOR: BLACK.
- 2. THIS PART MATES WITH 2, 3, & 4 PIN BACKSHELLS.
- 1. ALL DIMENSIONS ARE IN INCHES [MILLIMETERS] AND ARE ±.025[.64] UNLESS OTHERWISE SPECIFIED.

THIS DRAWING IS A CONTROLLED DOCUMENT.		DWN A. MALAGON 25OCT2010														
DIMENSIONS: INCH [MM]		CHK B. BYFORD 31MAY2011														
TOLERANCES UNLESS OTHERWISE SPECIFIED:		APVD S. BEARD 31MAY2011	NAME BACKSHELL 90 DEG ADAPTER 2,3 AND 4 PIN DTM/DTMH SERIES													
<table border="0"> <tr> <td>0 PLC</td> <td>±-</td> </tr> <tr> <td>1 PLC</td> <td>±-</td> </tr> <tr> <td>2 PLC</td> <td>±-</td> </tr> <tr> <td>3 PLC</td> <td>±-</td> </tr> <tr> <td>4 PLC</td> <td>±-</td> </tr> <tr> <td>ANGLES</td> <td>±-</td> </tr> </table>		0 PLC	±-	1 PLC	±-	2 PLC	±-	3 PLC	±-	4 PLC	±-	ANGLES	±-	PRODUCT SPEC	SIZE	
0 PLC	±-															
1 PLC	±-															
2 PLC	±-															
3 PLC	±-															
4 PLC	±-															
ANGLES	±-															
MATERIAL		APPLICATION SPEC	CAGE CODE	DRAWING NO												
3		WEIGHT	A3 00779	G-1028-016-0005												
		CUSTOMER DRAWING	SCALE 1:1	SHEET 1 OF 1 REV CI												