

THIS DRAWING IS UNPUBLISHED.

RELEASED FOR PUBLICATION

2013

LOC -

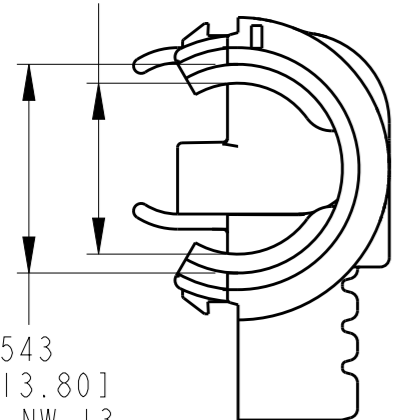
DIST -

REVISIONS

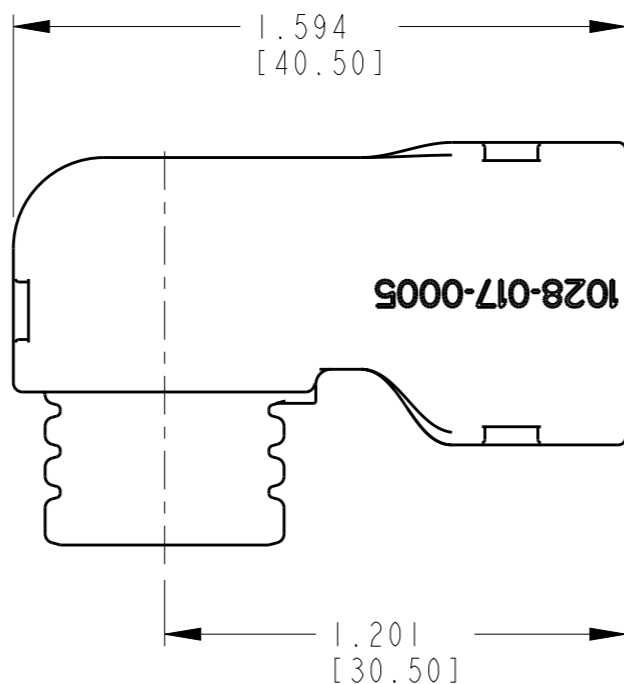
© COPYRIGHT 2013 BY - ALL RIGHTS RESERVED.

P	LTR	DESCRIPTION	DATE	DWN	APVD
	A	REVISED/REDRAWN PER ECO-13-015260	9/26/13	AM	DM

∅ .445
[11.30]
FOR NW 10



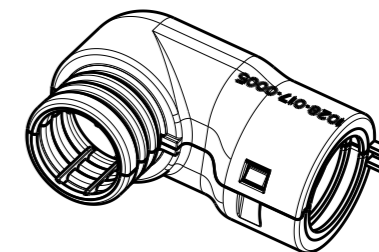
∅ .543
[13.80]
FOR NW 13



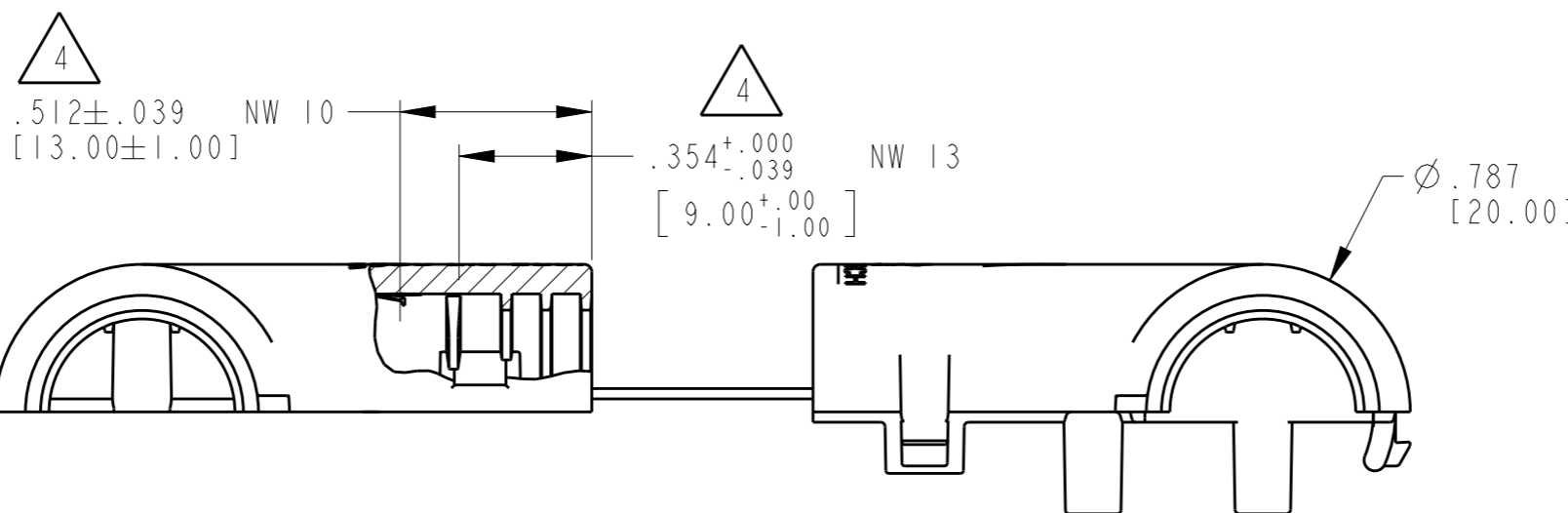
1028-017-0005

DEUTSCH

NW 13



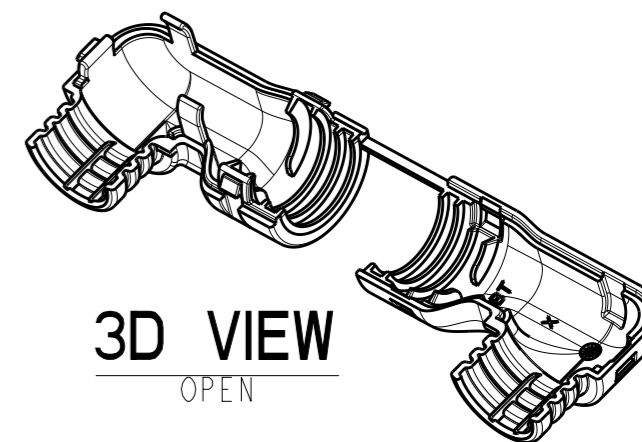
3D VIEW
CLOSED



4
.512±.039 NW 10
[13.00±1.00]

4
.354^{+.000}_{-.039} NW 13
[9.00^{+.00}_{-1.00}]

∅ .787
[20.00]



3D VIEW
OPEN

4. DIMENSION SHOWN INDICATES PROPER DEPTH TO ASSEMBLE NOTED CONVOLUTE TUBE SIZE.

3. DESIGNED FOR USE WITH DTM/DTMH BACKSHELL PART NUMBERS 1028-011-0605 & 1028-013-0805.

2. MATERIAL: PLASTIC; COLOR: BLACK

1. THIS PART MATES WITH 6 & 8 PIN BACKSHELLS.

NOTES: UNLESS OTHERWISE SPECIFIED.

THIS DRAWING IS A CONTROLLED DOCUMENT.

DWN A. MALAGON 20SEP2013
CHK R. MILLIGAN 26SEP2013
APVD D. MEYER 26SEP2013

STE TE Connectivity

DIMENSIONS: INCHES [mm]	TOLERANCES UNLESS OTHERWISE SPECIFIED:
	0 PLC ±-
	1 PLC ±-
	2 PLC ±
	3 PLC ±.025 [.64]
	4 PLC ±-
	ANGLES ±0°30'0"

MATERIAL - FINISH -

PRODUCT SPEC -
APPLICATION SPEC -
WEIGHT 5.52g

NAME
BACKSHELL 90° ADAPTER
6 AND 8 PIN
DTM/DTMH SERIES

SIZE A3 CAGE CODE 4AFU8 DRAWING NO. 1028-017-0005 RESTRICTED TO -

Customer Drawing SCALE 2:1 SHEET 1 OF 1 REV A