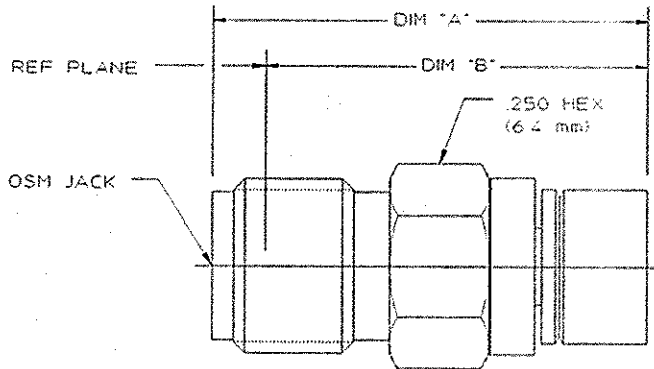


DESIGNED FOR USE WITH	
085 S.R. (RG 405/U)	
CABLE ENTRY DIAMETER MINIMUM	
HOUSING	088
CONTACT	021

REVISION		DATE	APPROVED
REV	DESCRIPTION		
050	REVISED PER ECN 93-0153	DCAH 6/1/93	<i>[Signature]</i> 7/6/93




NOTES:

1. PICTORIAL VIEW IS AFTER CRIMPING
2. MIN STRAIGHT CABLE LENGTH: .292
3. IT IS SUGGESTED TO BEND CABLE PRIOR TO CRIMPING

BEFORE CRIMPING	.721 REF (18.3 mm)	.645 REF (16.4 mm)
AFTER CRIMPING	.616 ± .015 (15.6 mm)	.530 REF (13.5 mm)
	DIM 'A'	DIM 'B'

ELECTRICAL	MECHANICAL	ENVIRONMENTAL
Nominal Impedance (Ohms) 50	Interface Dimensions MIL-STD-348 Fig 310.2	Temperature Rating -65° to +165°C
Frequency Range (GHz) DC to 18	Recommended Mating Torque 7-10 in-lbs	Vibration MIL-STD-202, Method 204, Condition D
Volt Rating (VRMS MAX) @ Sea Level 335	Center Contact Captivation Axial (Lbs) 6	Shock MIL-STD-202, Method 213, Condition I
VSWR 1.07-0.01(GHz)	Radial (in/Oz) NONE	Thermal Shock MIL-STD-202, Method 102, Condition C
Insertion Loss (dB MAX) .03x √(GHz)	Cable Retention Axial Force (Lbs) 30	Moisture Resistance MIL-STD-202, Method 106
RF Leakage (dB MIN) -90 @ 2-2 GHz	Torque (in/Oz) 10	Corrosion - MIL-STD-202, Method 101, Condition B
Corona, 70,000 Ft (VRMS MIN) 350	Weight (Grams) 2.1	
Dielectric Withstanding Voltage (VRMS MIN) @ Sea Level 1000	Mating Characteristics Insertion (Max Lbs) 3	
Contact Resistance (Milliohms MAX) Center Contact 3.0	Withdrawal (Min Oz) 1	
Outer Contact 2.0	Connector Engagement and Disengagement (in/Lbs Max) 2	
Cable to Housing 0.5		
RF High Potential @ Sea Level (VRMS MIN @ 5 MHz) 670		
(IR)Megohms MIN 5000		

COMPONENT	MATERIAL	FINISH
HOUSING BUSHING	STAINLESS STEEL PER ASTM-A484 AND ASTM-A562, TYPE 303	PASSIVATE PER ASTM-A380
DIELECTRIC	TFE FLUOROCARBON PER MIL-P-19468 AND FED SPEC L-P-403	N/A
CENTER CONTACT	BERYLLIUM COPPER PER ASTM B196, ALLOY 173	GOLD PLATE PER MIL-G-45204 OVER COPPER PLATE PER MIL-C-14550
UNLESS OTHERWISE SPECIFIED DIMENSIONS ARE IN INCHES TOLERANCE ON		DATE 10-27-82
FRAC	DEC	ANGLES
+ .004	+ .005	+ .3°
DRAWN BY DCAH		DATE 5-13-83
CHECKED BY R. GIERAS		DATE 5-17-83
APPROVED BY RME		
USE ASSY PROCEDURE		
NO AP 20-568		
		
M/A-COM Omni Spectra, Inc. Waltham, Massachusetts		
TITLE OSM STRAIGHT CABLE JACK COMPRESSION CRIMP ATTACHMENT M39012/81B3003		
SIZE B	CODE CONT NO 26805	REV 050
SCALE 6:1	2002-8203-92	SHEET 1 OF 1

Tyco Customer P/N 1050932  
Sheet 1 of 1 Rev 0