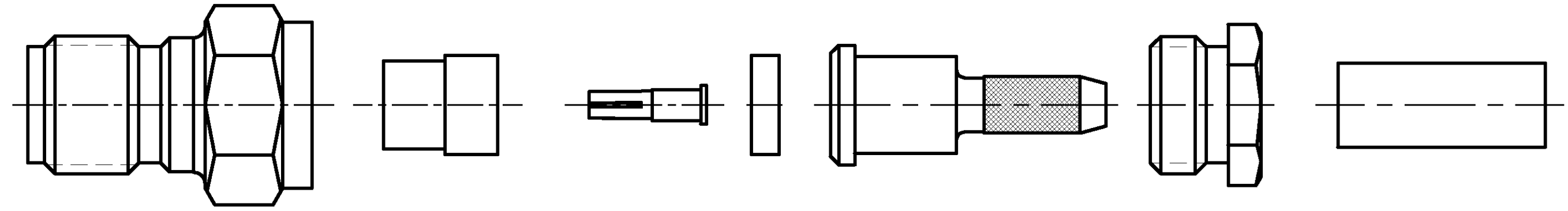


THIS DRAWING IS UNPUBLISHED. RELEASED FOR PUBLICATION N/A, N/A
 © COPYRIGHT N/A BY TYCO ELECTRONICS CORPORATION. ALL RIGHTS RESERVED.

LOC	DIST	REVISIONS			
P	LTR	DESCRIPTION	DATE	DWN	APVD
DF	XO	B	REV PER 0G3D-0424-02	9-02	JMK JL

COMPONENT	MATERIAL	FINISH
HOUSING	STAINLESS STEEL PER ASTM-A-484 OR ASTM-A-582 TYPE 303	PASSIVATED PER ASTM-A-380
DIELECTRIC	PTFE FLUOROCARBON PER ASTM-D-1457	-
CENTER CONTACT	BERYLLIUM COPPER PER ASTM-B-196 OR 197 ALLOY C17300, CONDITION H	GOLD PLATED PER ASTM-B-488
CLAMP NUT INNER SLEEVE	STAINLESS STEEL PER ASTM-A-484 OR ASTM-A-582 TYPE 303	PASSIVATED PER ASTM-A-380
FERRULE	COPPER OR BRASS ALLOY, ROCKWELL F65 MAX	GOLD PLATED PER ASTM-B-488

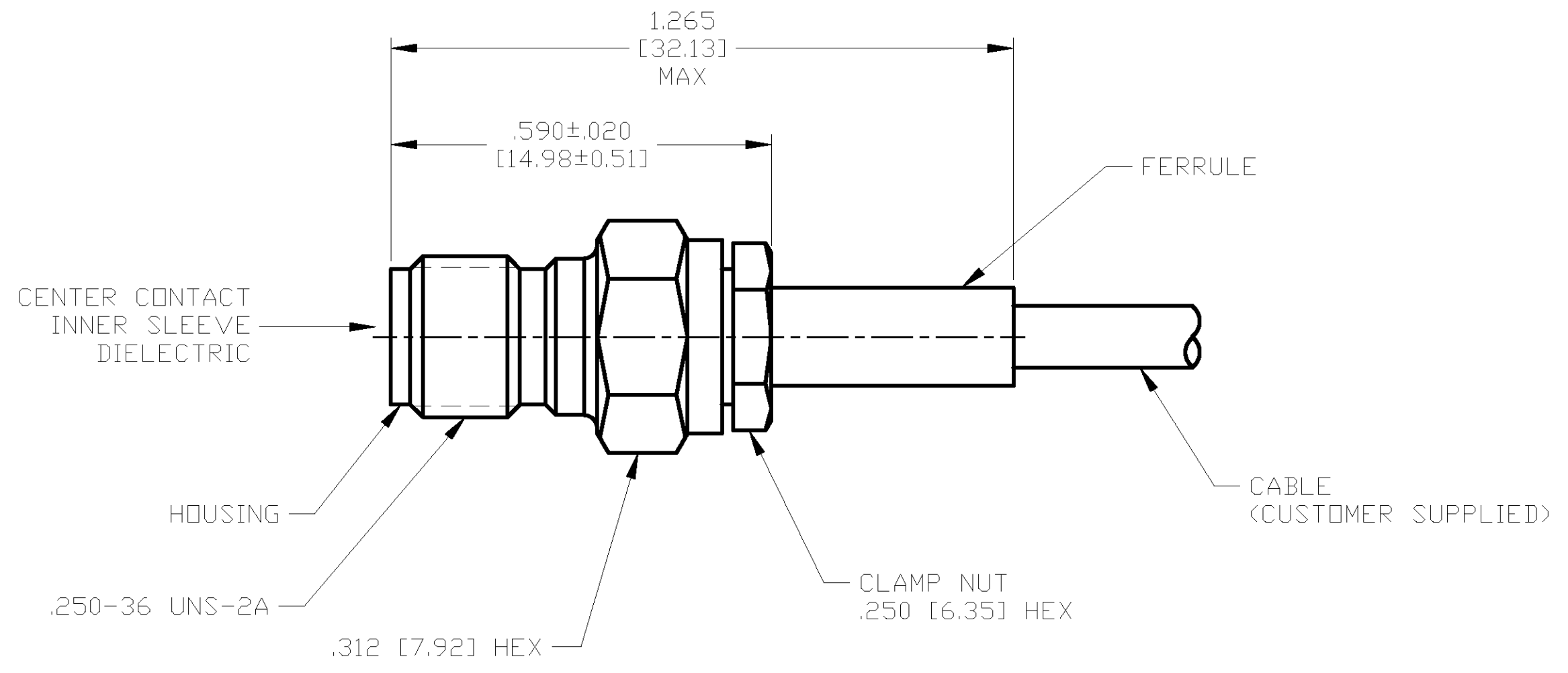


AS SHIPPED TO CUSTOMER

ENVIRONMENTAL	
TEMPERATURE RATING:	-65°C TO +165°C
VIBRATION:	MIL-STD-202, METHOD 204, CONDITION D
SHOCK:	MIL-STD-202, METHOD 213, CONDITION 1
MOISTURE RESISTANCE:	MIL-STD-202, METHOD 106
CORROSION:	MIL-STD-202, METHOD 101, CONDITION B. 5% SALT SPRAY
THERMAL SHOCK:	MIL-STD-202, METHOD 107, CONDITION B EXCEPT HIGH TEMP 85°C

MECHANICAL	
INTERFACE DIMENSIONS:	MIL-STD-348A FIG. 310.2
RECOMMENDED MATING TORQUE:	7-10 IN-LBS
FORCE TO ENGAGE & DISENGAGE (IN-LBS MAX):	2.0
WEIGHT (GRAMS):	TBD
MATING CHARACTERISTICS:	INSERTION (MAX LBS) 2 WITHDRAWAL (MIN OZ): 1
CABLE RETENTION:	AXIAL FORCE (LBS) 20 TORQUE (IN-OZ): N/A
CENTER CONTACT CAPTIVATION:	AXIAL (LBS): 6.0 RADIAL (IN-OZ): N/A

ELECTRICAL	
NORMAL IMPEDANCE (OHMS):	50
FREQUENCY RANGE (GHz):	DC TO 12.4
VOLT RATING @ SEA LEVEL (VRMS MAX):	250
VSWR:	1.15+0.02f(GHz)
INSERTION LOSS: (dB MAX):	.06 √f(GHz)
RF LEAKAGE (dB MIN):	-60 @ 2-3GHz
CORONA 70,000 FT (VRMS MIN):	190
DIELECTRIC WITHSTANDING VOLTAGE (VRMS MIN) AT SEA LEVEL:	750
I.R. (MEGOHMS MIN):	10,000
RF HIGH POTENTIAL AT SEA LEVEL (VRMS MIN @ 5 MHz):	500
CONTACT RESISTANCE (MILLIOHMS MAX):	CENTER CONTACT: 3.0 OUTER CONTACT: 2.0 CABLE TO HOUSING: 0.5



ASSEMBLED VIEW

DESIGNED TO USE	RG-174/U OR EQUIVALENT
CABLE ENTRY	DIAMETER MIN
HOUSING:	N/A
CONTACT:	N/A
DIELECTRIC:	.021 [0.53]
INNER SLEEVE:	.066 [1.68]
FERRULE:	.127 [3.23]

THIS DRAWING IS A CONTROLLED DOCUMENT.	
DIMENSIONS:	TOLERANCES UNLESS OTHERWISE SPECIFIED:
INCHES [mm]	0 PLC ± - 1 PLC ± - 2 PLC ± - 3 PLC ± .005 [0.13] 4 PLC ± - ANGLES ± -
MATERIAL	FINISH
SEE TABLE	SEE TABLE

DWN	J. KAISER	9/10/02	Tyco Electronics Corporation Harrisburg, PA 17105
CHK	J. LIPPERT	10-8-02	
APVD	J. LIPPERT	10-8-02	
PRODUCT SPEC	SMA STRAIGHT CABLE JACK-CRIMP ATTACHMENT (M39012/57B3012) CAT B		
APPLICATION SPEC	408-4888	NAME	RESTRICTED TO
WEIGHT	TBD	SIZE	A2
CUSTOMER DRAWING	SCALE	CAGE CODE	DRAWING NO.
	5:1	00779	1051905
		SHEET	1 OF 1
		REV	B

1051905-1
PART NO.