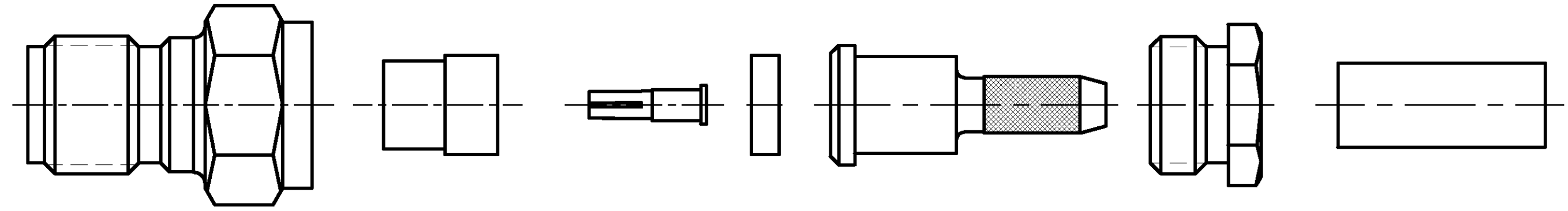


THIS DRAWING IS UNPUBLISHED. RELEASED FOR PUBLICATION N/A, N/A
 © COPYRIGHT N/A BY TYCO ELECTRONICS CORPORATION. ALL RIGHTS RESERVED.

LOC		DIST		REVISIONS			
DF	XO	P	LTR	DESCRIPTION	DATE	DWN	APVD
		B		REV PER 0G3D-0424-02	9-02	JMK	JL

COMPONENT	MATERIAL	FINISH
HOUSING	STAINLESS STEEL PER ASTM-A-484 OR ASTM-A-582 TYPE 303	PASSIVATED PER ASTM-A-380
DIELECTRIC	PTFE FLUOROCARBON PER ASTM-D-1457	
CENTER CONTACT	BERYLLIUM COPPER PER ASTM-B-196 OR 197 ALLOY C17300, CONDITION H	GOLD PLATED PER ASTM-B-488
CLAMP NUT INNER SLEEVE	STAINLESS STEEL PER ASTM-A-484 OR ASTM-A-582 TYPE 303	PASSIVATED PER ASTM-A-380
FERRULE	COPPER OR BRASS ALLOY, ROCKWELL F65 MAX	GOLD PLATED PER ASTM-B-488



AS SHIPPED TO CUSTOMER

ENVIRONMENTAL

TEMPERATURE RATING: -65°C TO +165°C
 VIBRATION: MIL-STD-202, METHOD 204, CONDITION D
 SHOCK: MIL-STD-202, METHOD 213, CONDITION 1
 MOISTURE RESISTANCE: MIL-STD-202, METHOD 106
 CORROSION: MIL-STD-202, METHOD 101, CONDITION B. 5% SALT SPRAY
 THERMAL SHOCK: MIL-STD-202, METHOD 107, CONDITION B EXCEPT HIGH TEMP 85°C

MECHANICAL

INTERFACE DIMENSIONS: MIL-STD-348A FIG. 310.2
 RECOMMENDED MATING TORQUE: 7-10 IN-LBS
 FORCE TO ENGAGE & DISENGAGE (IN-LBS MAX): 2.0
 WEIGHT (GRAMS): TBD

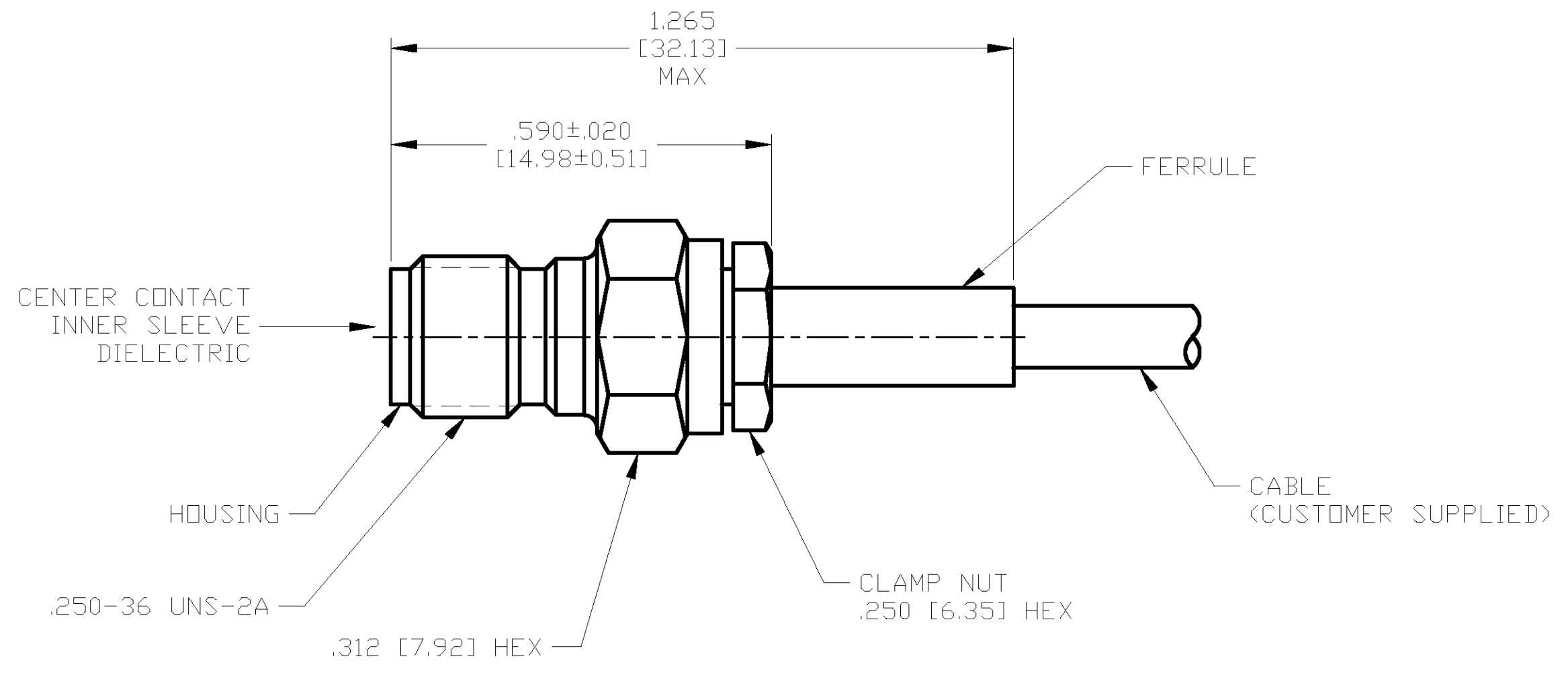
MATING CHARACTERISTICS: INSERTION (MAX LBS) 2
 WITHDRAWAL (MIN OZ): 1

CABLE RETENTION: AXIAL FORCE (LBS) 20
 TORQUE (IN-OZ): N/A

CENTER CONTACT CAPTIVATION: AXIAL (LBS): 6.0
 RADIAL (IN-OZ): N/A

ELECTRICAL

NORMAL IMPEDANCE (OHMS): 50
 FREQUENCY RANGE (GHz): DC TO 12.4
 VOLT RATING @ SEA LEVEL (VRMS MAX): 250
 VSWR: 1.15+0.02f(GHz)
 INSERTION LOSS: (dB MAX): .06 √f(GHz)
 RF LEAKAGE (dB MIN): -60 @ 2-3GHz
 CORONA 70,000 FT (VRMS MIN): 190
 DIELECTRIC WITHSTANDING VOLTAGE (VRMS MIN) AT SEA LEVEL: 750
 I.R. (MEGOHMS MIN): 10,000
 RF HIGH POTENTIAL AT SEA LEVEL (VRMS MIN @ 5 MHz): 500
 CONTACT RESISTANCE (MILLIOHMS MAX):
 CENTER CONTACT: 3.0
 OUTER CONTACT: 2.0
 CABLE TO HOUSING: 0.5



ASSEMBLED VIEW

DESIGNED TO USE RG-174/U OR EQUIVALENT CABLE ENTRY DIAMETER MIN

HOUSING: N/A
 CONTACT: N/A
 DIELECTRIC: .021 [0.53]
 INNER SLEEVE: .066 [1.68]
 FERRULE: .127 [3.23]

THIS DRAWING IS A CONTROLLED DOCUMENT.

DIMENSIONS: INCHES [mm]

TOLERANCES UNLESS OTHERWISE SPECIFIED:
 0 PLC ± -
 1 PLC ± -
 2 PLC ± -
 3 PLC ± .005 [0.13]
 4 PLC ± -
 ANGLES ± -

MATERIAL: SEE TABLE
 FINISH: SEE TABLE

DWN	J. KAISER	9/10/02	 Tyco Electronics Corporation Harrisburg, PA 17105
CHK	J. LIPPERT	10-8-02	
APVD	J. LIPPERT	10-8-02	
PRODUCT SPEC	J. LIPPERT	10-8-02	
APPLICATION SPEC	408-4888		NAME
WEIGHT	TBD		SMA STRAIGHT CABLE JACK-CRIMP ATTACHMENT (M39012/57B3019) CAT B
CUSTOMER DRAWING			SIZE
			A2
			CAGE CODE
			00779
			DRAWING NO
			1051912
			RESTRICTED TO
			-
			SCALE
			5:1
			SHEET
			1 OF 1
			REV
			B

1051912

1051912-1
PART NO.