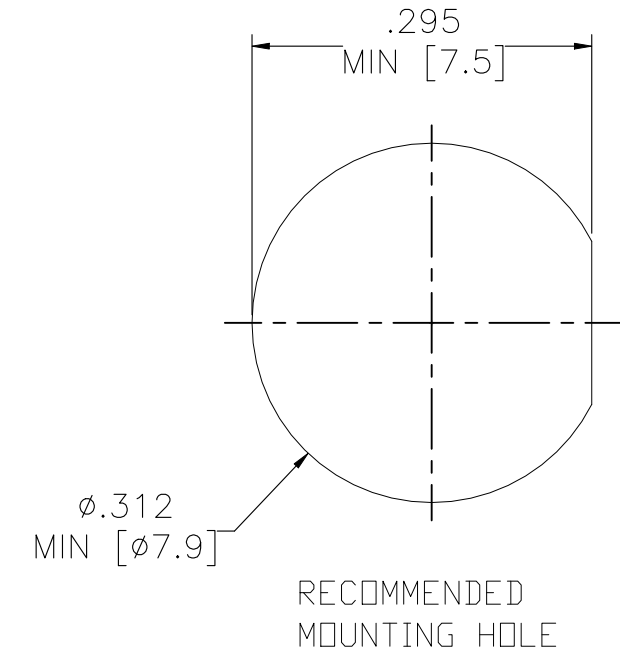
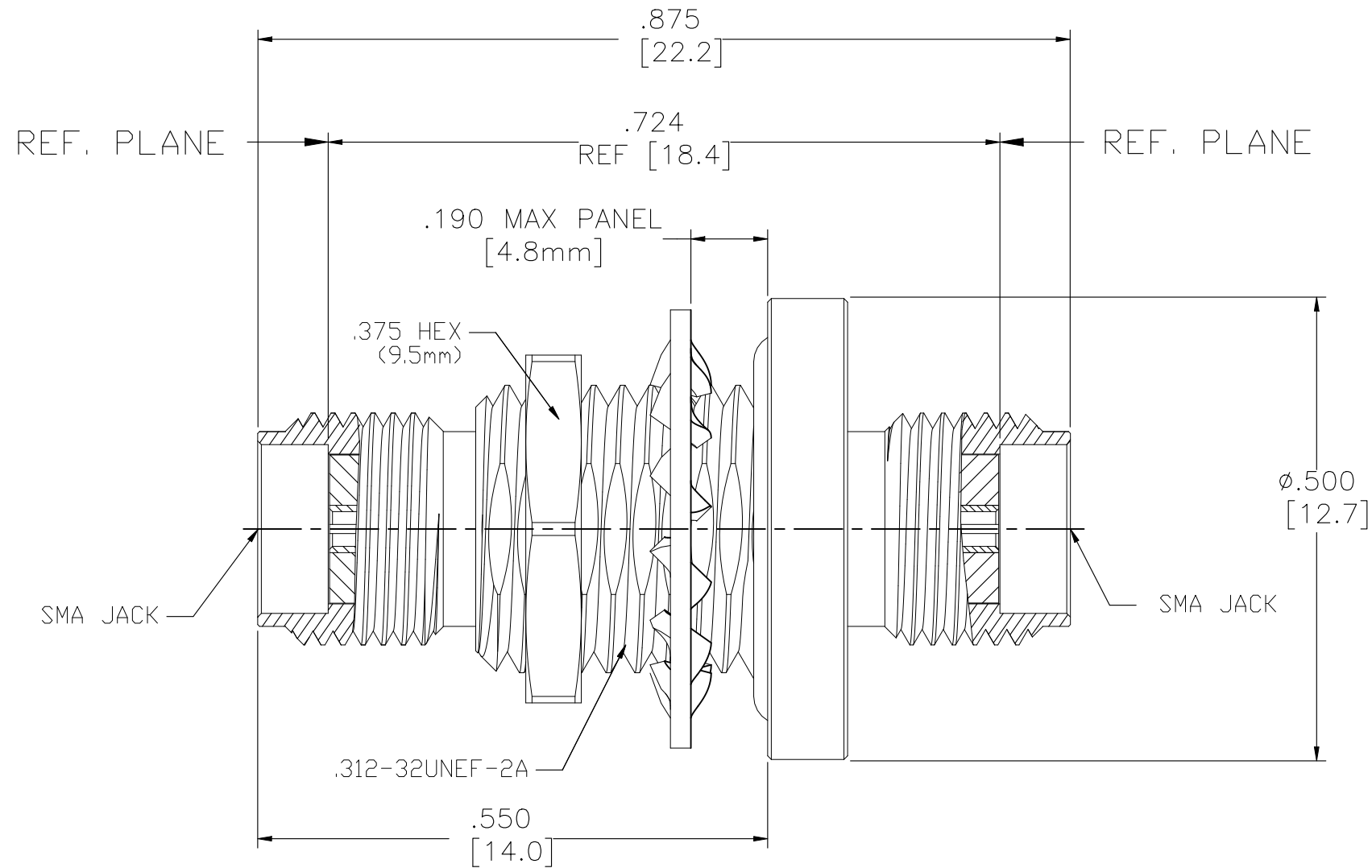


| P | LTR | DESCRIPTION | DATE | DWN | APVD |
|---|-----|---------------------------|-----------|-----|------|
| | A1 | REVISED PER ECR-21-103794 | 03JUN2021 | RS | WK |



| QTY | PLC | FINISH | MATERIAL | DESCRIPTION | ITEM |
|-----|-----------|--------|-------------------|----------------|------|
| 1 | - | - | GLASS BEAD | HERMETIC SEAL | 8 |
| 1 | - | - | EPM | O-RING | 7 |
| 1 | PASSIVATE | - | STAINLESS STEEL | LOCKWASHER | 6 |
| 1 | PASSIVATE | - | STAINLESS STEEL | MOUNTING NUT | 5 |
| 1 | PASSIVATE | - | STAINLESS STEEL | HOUSING | 4 |
| 1 | - | - | PTFE | INSULATION | 3 |
| 1 | Au | - | IRON-NICKEL ALLOY | CONTACT EXT. | 2 |
| 1 | Au | - | BeCu | CENTER CONTACT | 1 |

| QUANTITY PER ASSY | | PARTS LIST | | | |
|-------------------|----------|--|-----------|------------|---------------|
| DWN | 10-31-91 | TE Connectivity SMA BULKHEAD FEEDTHRU JACK TO JACK ADAPTER HERMETICALLY SEALED | | | |
| CHK | 11/15/91 | | | | |
| APVD | 12/2/91 | | | | |
| NAME | | | | | |
| PRODUCT SPEC | | SIZE | CAGE CODE | DRAWING NO | RESTRICTED TO |
| APPLICATION SPEC | | A3 | 00779 | C-1054875 | - |
| WEIGHT | - | CUSTOMER DRAWING | | | |
| SCALE | | SHEET | | REV | |
| 6:1 | | 1 OF 1 | | A1 | |

| ELECTRICAL | MECHANICAL | ENVIRONMENTAL |
|---|--|---|
| Nominal Impedance (Ohms) 50 | Interface Dimensions MIL-STD-348A, Fig. 310.2 | Temperature Rating -65°C to +165°C |
| Frequency Range (GHz) DC to 18.0 | Recommended Mating Torque 7 to 10 In-Lbs | Vibration MIL-STD-202, Method 204, Condition D |
| Volt Rating (VRMS MAX) @ Sea Level 335 | Mating Characteristics: | Shock MIL-STD-202, Method 213, Condition I |
| VSWR 1.10 + .010 f(GHz) | Insertion (MAX Lbs) 3.0 | Thermal Shock MIL-STD-202, Method 107, Condition C |
| Insertion Loss (dB MAX) .15 √f(GHz) | Withdrawal (MIN Oz) 1.0 | Moisture Resistance MIL-STD-202, Method 106 |
| RF Leakage (dB MIN) -90 | Force to Engage and Disengage (In-Lbs MAX) 2.0 | Corrosion - MIL-STD-202, Method 101, Condition B, 5% salt spray |
| Corona, 70,000 Ft (VRMS MIN) 250 | Center Contact Captivation | |
| Dielectric Withstanding Voltage (VRMS MIN) @ Sea Level 1000 | Axial (Lbs) 6.0 | |
| Contact Resistance (Milliohms MAX) | Radial (In-Oz) N/A | |
| Center Contact 12.0 | Seal: | |
| Outer Contact 4.0 | Hermetic: 1 x 10 ⁷ cc/sec | |
| RF High Potential @ Sea Level (VRMS MIN @ 5 MHz) 670 | Weatherproof: 30 psi MAX | |
| I.R.(Megohms MIN) 5000 | Mounting Seal | |
| | Weight (Grams) | |

.XXX = in
XX.X = mm

THIS DRAWING IS A CONTROLLED DOCUMENT.

| DIMENSIONS: | TOLERANCES UNLESS OTHERWISE SPECIFIED: |
|-------------|--|
| INCHES | 0 PLC ± - |
| | 1 PLC ± - |
| | 2 PLC ± - |
| | 3 PLC ± .005 |
| | 4 PLC ± - |
| ANGLES | ± 1° |
| MATERIAL | FINISH |
| - | ±1/64 |