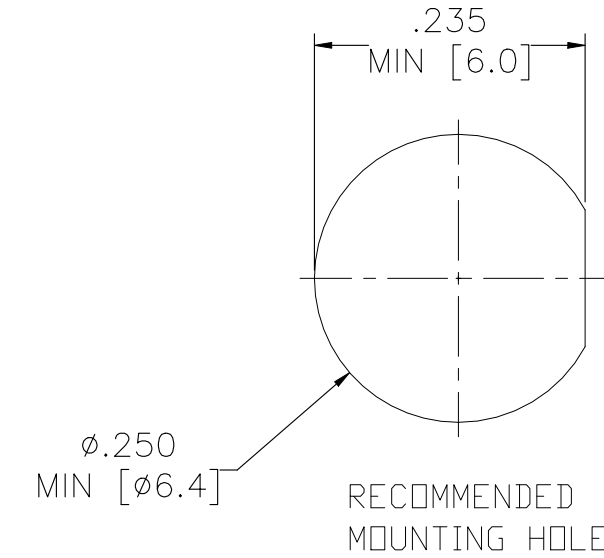
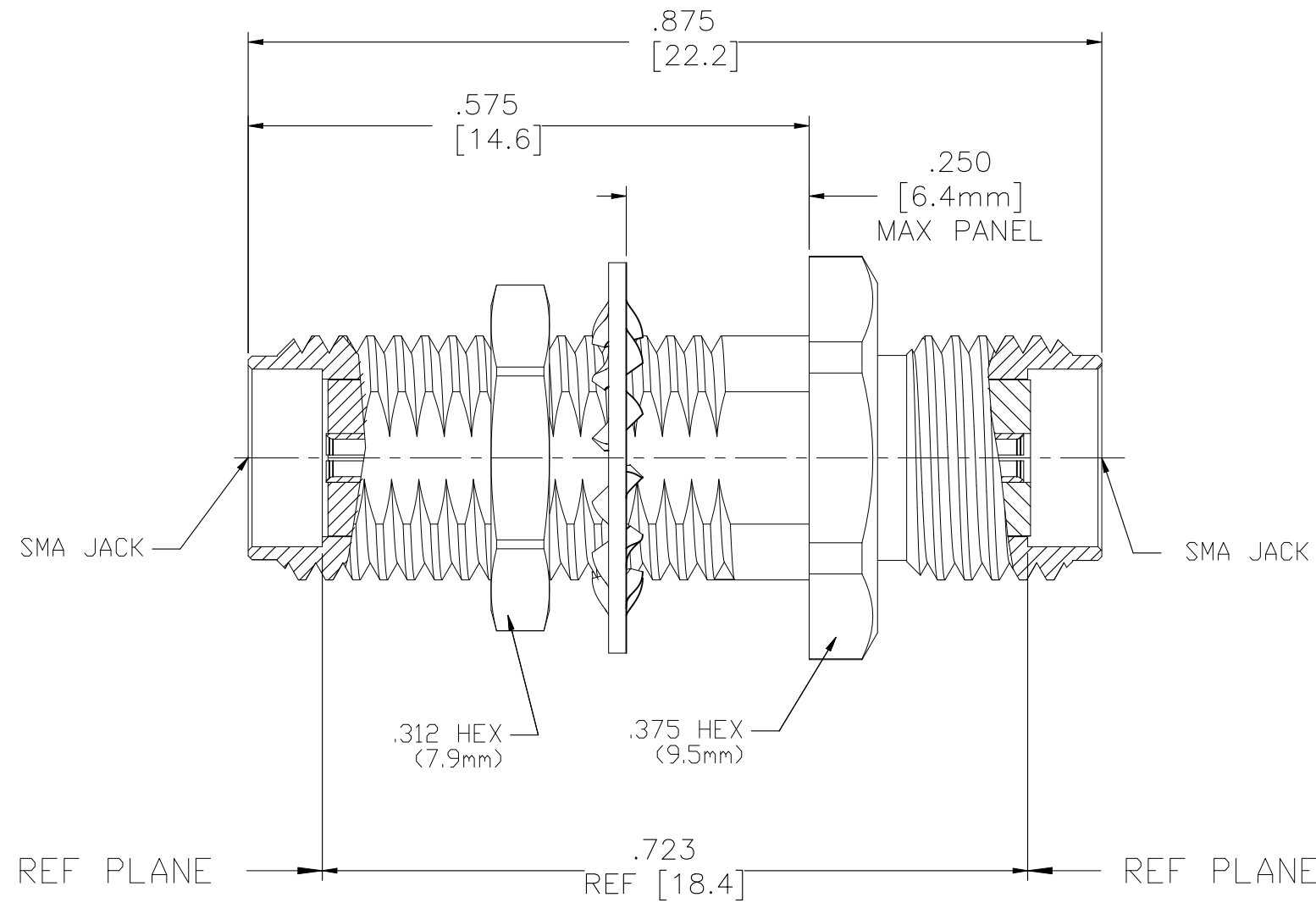


P	LTR	DESCRIPTION	DATE	DWN	APVD
	A1	REVISER PER ECR-21-103794	03JUN2021	RS	WK



ELECTRICAL	MECHANICAL	ENVIRONMENTAL
Nominal Impedance (Ohms) 50	Interface Dimensions MIL-STD-348, Fig. 310.2	Temperature Rating -65°C to +165°C
Frequency Range (GHz) DC to 18	Recommended Mating Torque 7-10 In/Lbs	Vibration MIL-STD-202, Method 204, Condition D
Volt Rating (VRMS MAX) @ Sea Level 335	Mating Characteristics: Insertion (MAX Lbs) 3.0	Shock MIL-STD-202, Method 213, Condition I
VSWR 1.05+.005(f)GHz	Withdrawal (MIN Oz) 1.0	Thermal Shock MIL-STD-202, Method 107, Condition C
Insertion Loss (dB MAX) .06 √fGHz	Force to Engage and Disengage (In/Lbs MAX) 2.0	Moisture Resistance MIL-STD-202, Method 106, Except (7b (Vibration) Shall Be Omitted
RF Leakage (dB MIN) -(90 - f(GHz))	Center Contact Captivation Axial (Lbs) 10.0	Corrosion - MIL-STD-202, Method 101, Condition B, 5% salt spray
Corona, 70,000 Ft (VRMS MIN) 250	Radial (In/Oz) N/A	
Dielectric Withstanding Voltage (VRMS MIN) @ Sea Level 1000	Weight (Grams) TBD	
Contact Resistance (Milliohms MAX) Center Contact 4.0		
Outer Contact 2.0		
RF High Potential @ Sea Level (VRMS MIN @ 5 MHz) 670		
I.R.(Megohms MIN) 10,000		

.XXX = in
XX.X = mm

THIS DRAWING IS A CONTROLLED DOCUMENT.

DIMENSIONS:	TOLERANCES UNLESS OTHERWISE SPECIFIED:
INCHES	
	0 PLC ± -
	1 PLC ± -
	2 PLC ± -
	3 PLC ± .005
	4 PLC ± -
	ANGLES ± 1°
MATERIAL	FINISH
-	± 1/64

QUANTITY PER ASSY	PARTS LIST
1	PASSIVATE STAINLESS STEEL LOCKWASHER 5
1	PASSIVATE STAINLESS STEEL MOUNTING NUT 4
1	PASSIVATE STAINLESS STEEL HOUSING 3
1	- PTFE INSULATION 2
1	Au BeCu CENTER CONTACT 1
-1	PLATING MATERIAL DESCRIPTION ITEM

DWN		E. F. HOYLE		10/26/90	
CHK		K. C. MAHER		11/5/90	
APVD		S. T. M.		11/6/90	
PRODUCT SPEC		NAME		SMA JACK TO JACK ADAPTER BULKHEAD FEEDTHROUGH	
APPLICATION SPEC		SIZE		CAGE CODE	
WEIGHT		DRAWING NO		RESTRICTED TO	
-		A300779		C-1054881	
CUSTOMER DRAWING		SCALE 6:1		SHEET 1 OF 1	
				REV A1	