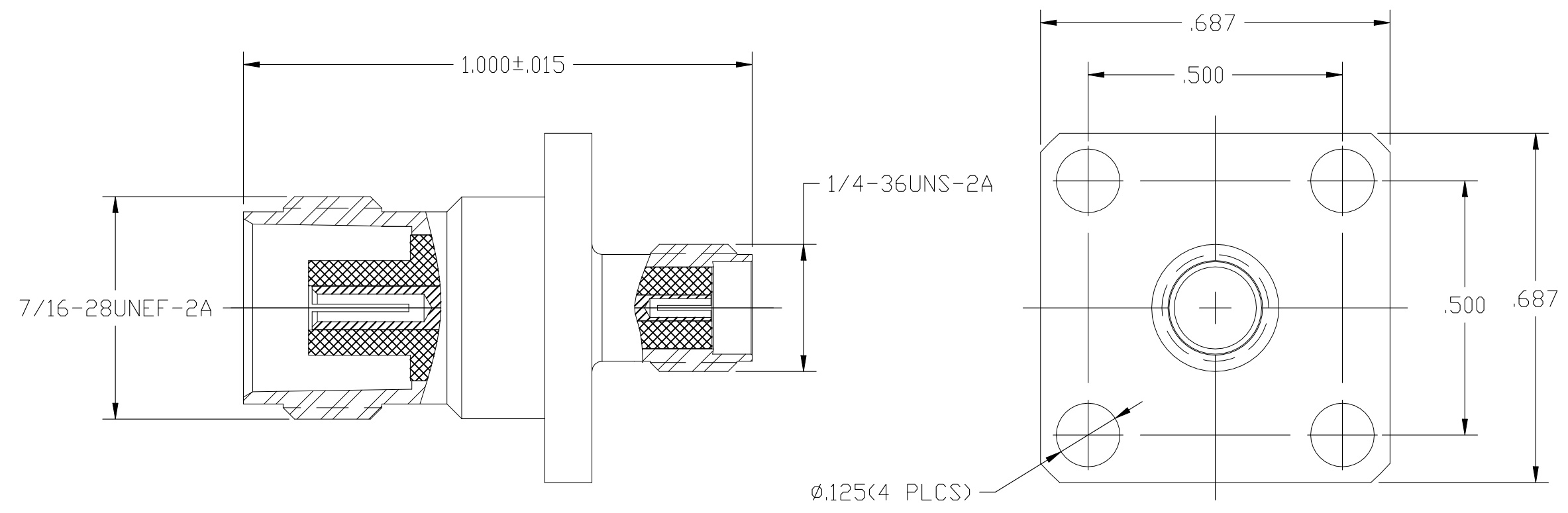


REVISIONS				
P	LTR	DESCRIPTION	DATE	APVD
C		Align c_drawing with p_drawing	02MAR2021	ED



- NOTES:**
- 1 PACK IN ACCORDANCE WITH TE SPEC 107-3275
 - 2 ALL DIMENSIONS ARE NOMINAL FOR REFERENCE ONLY UNLESS OTHERWISE STATED

ELECTRICAL	MECHANICAL	ENVIRONMENTAL
Impedance (Ohm) _____50	Interface Dimension MIL-STD-348B Fig. _____313-2	TEMPERATURE RANGE _____ -65°C TO + 165°C
Frequency Range (GHz) _____ DC to 11GHz	Recommended Coupling Torque _____46--69Ncm	THERMAL SHOCK _____ MIL-STD-202, METH.107, COND.B
Voltage Rating (Peak) _____ @ Sea Level 500 V RMS	Engage and Disengage Torque (Ncm) _____22.6 MAX	CORROSION _____ MIL-STD-202, METH.101, COND.B
Insulation Resistance (MIN.) _____5000 M_ohms	Coupling Nut Retention _____445N MIN	VIBRATION _____ MIL-STD-202, METH.204, COND.B
Contact Resistance (Milliohms MAX) Center Contact _____1.5 Outer Contact _____0.3	Center Contact Captivation Axial (N) _____27	SHOCK _____ MIL-STD-202, METH.213, COND.I
Dielectric Withstand Voltage: _____1500 V RMS Max	Cable Retention Axial (N) _____N/A	MOISTURE RESISTANCE _____ MIL-STD-202, METH.106,
Insertion Loss : _____0.1*SQRT(F) dB	Mating cycles _____500 cycles	ROHS _____COMPLIANT
VSWR: _____1.30 MAX (GHz)		
RF leakage: _____N/A		
3rd Intermodulation: _____N/A (@20W)		

1	GOLD	BeCu	CONTACT	3
1	/	PTFE	INSULATOR	2
1	PASSIVATION	STAINLESS STEEL	HOUSING	1
1057845-1	PLATING	MATERIAL	COMPONENT	ITEM

QTY PER ASSY		PART LIST					
THIS DRAWING IS A CONTROLLED DOCUMENT.		DWN ED	02MAR2021	TE Connectivity ADAPTER, SMA JACK TO TNC JACK,			
DIMENSIONS: INCHES		CHK RZ	02MAR2021				
TOLERANCES UNLESS OTHERWISE SPECIFIED:		APVD WH	02MAR2021				
		PRODUCT SPEC	NAME				
MATERIAL		FINISH		SIZE	CAGE CODE	DRAWING NO	RESTRICTED TO
-		-		0	A300779	C-1057845	-
CUSTOMER DRAWING				SCALE	1:1	SHEET	1 OF 1
				REV	C		