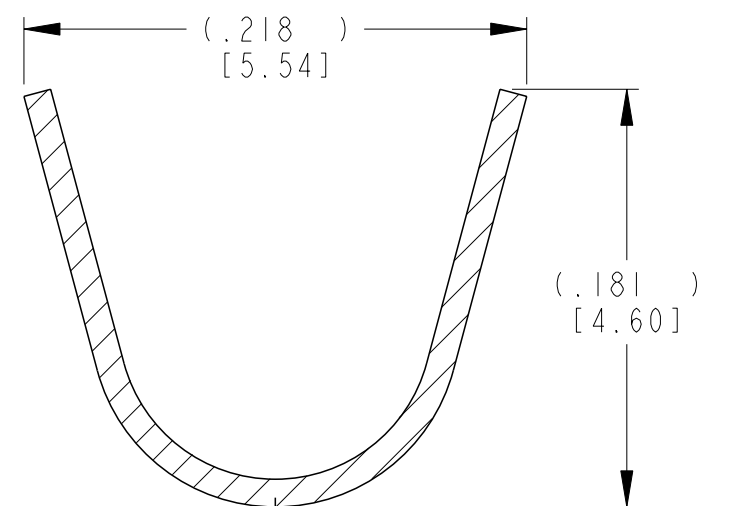
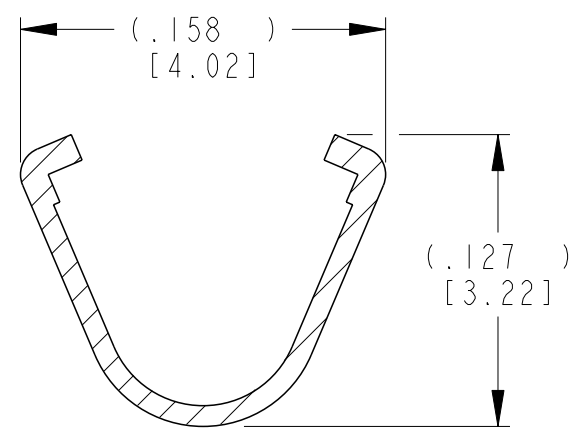
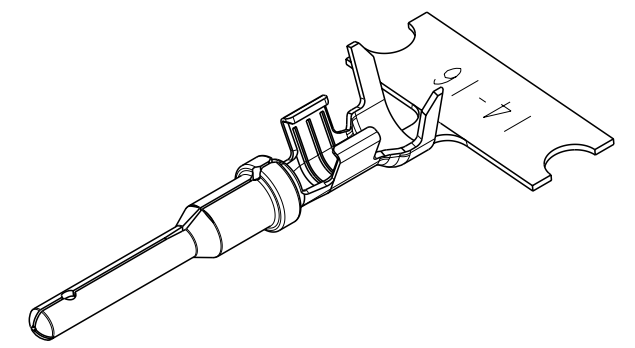
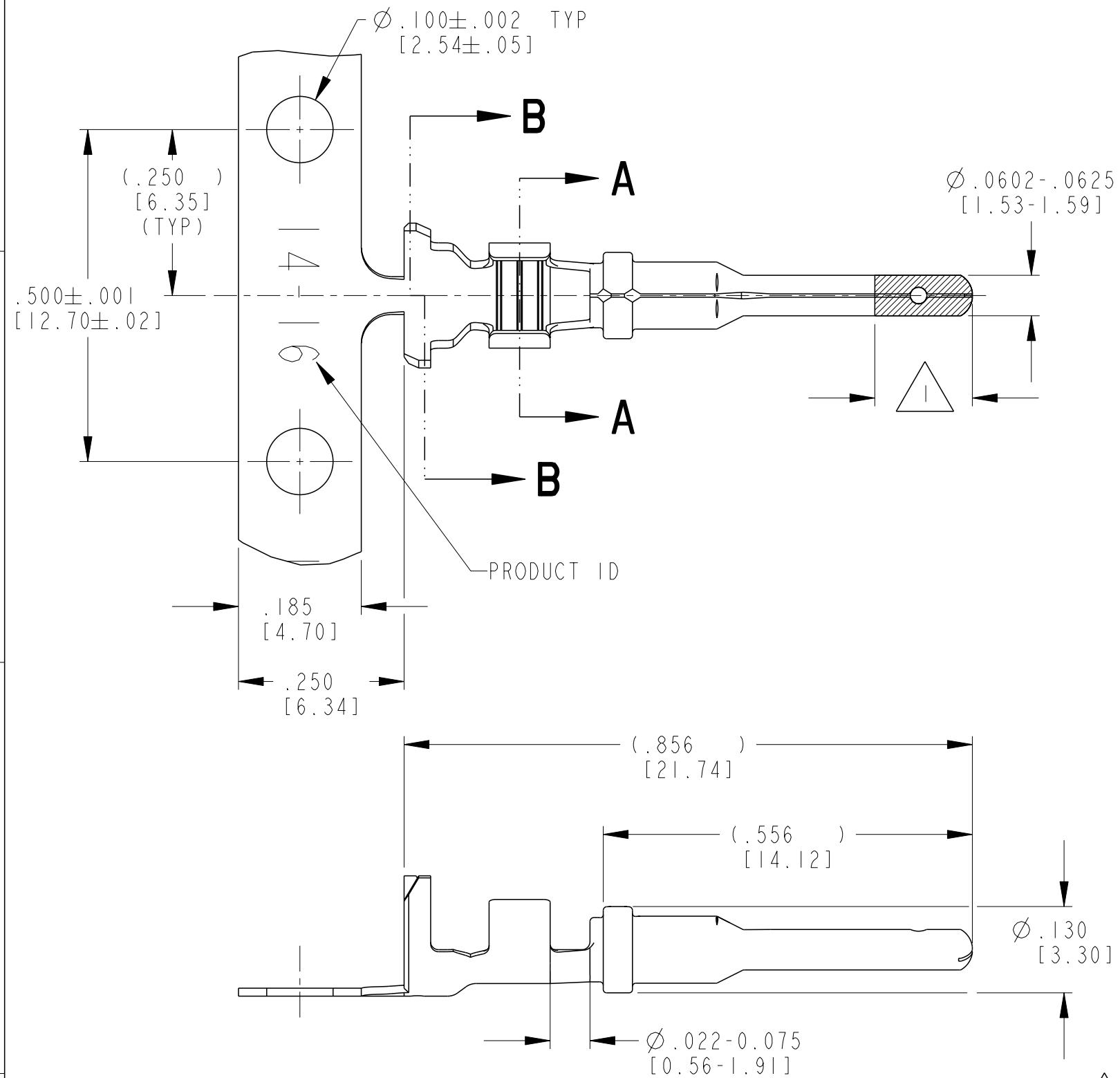


REVISIONS					
P	LTR	DESCRIPTION	DATE	DWN	APVD
	C1	REVISED PER PCN-E-18-001832	23JAN2018	CM	DM
	D	REVISED PER PCN-21-121539	08FEB2022	DM	GCR



TE INTERNAL PN	DEUTSCH PN	PLATING
1060-14-1022	1060-14-1022	NICKEL
1060-14-1077	1060-14-1077	TIN
1060-14-1088	1060-14-1088	Selective Pd-Ni, Au/Ni/Cu overall

- 3. MATERIAL: .012 [0.30] THICK COPPER ALLOY.
  - 2. WIRE RANGE: 18 AWG TO 14 AWG [0.75-2.0 mm<sup>2</sup>]  
INSULATION RANGE: Ø.095-.150 [Ø2.41-3.81]
  - 1. PALLADIUM-NICKEL PLATED REGION
- NOTES: UNLESS OTHERWISE SPECIFIED

THIS DRAWING IS A CONTROLLED DOCUMENT.

DIMENSIONS: INCHES [mm]	TOLERANCES UNLESS OTHERWISE SPECIFIED: 0 PLC ± 1 PLC ± 2 PLC ± 3 PLC ±.025 [0.64] 4 PLC ± ANGLES ±	DWN J. APOSTOL 03DEC2009 CHK D. MEYER 25JUN2010 APVD R. REED 25JUN2010	TE Connectivity <b>STAMPED CONTACT PIN SIZE 16</b>			
MATERIAL 3	FINISH SEE TABLE	PRODUCT SPEC 0425-015-0000 APPLICATION SPEC 114-151000 WEIGHT 0.34 g				SIZE A3

CUSTOMER DRAWING SCALE 5:1 SHEET 1 OF 1 REV D

printed on 25 Feb 2022 16:18 (India Standard Time) from TE397155