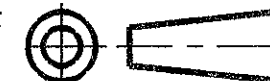


DO NOT SCALE

DIMENSIONS IN mm

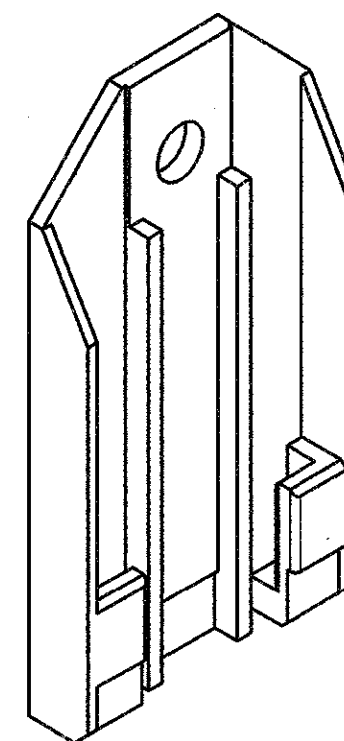
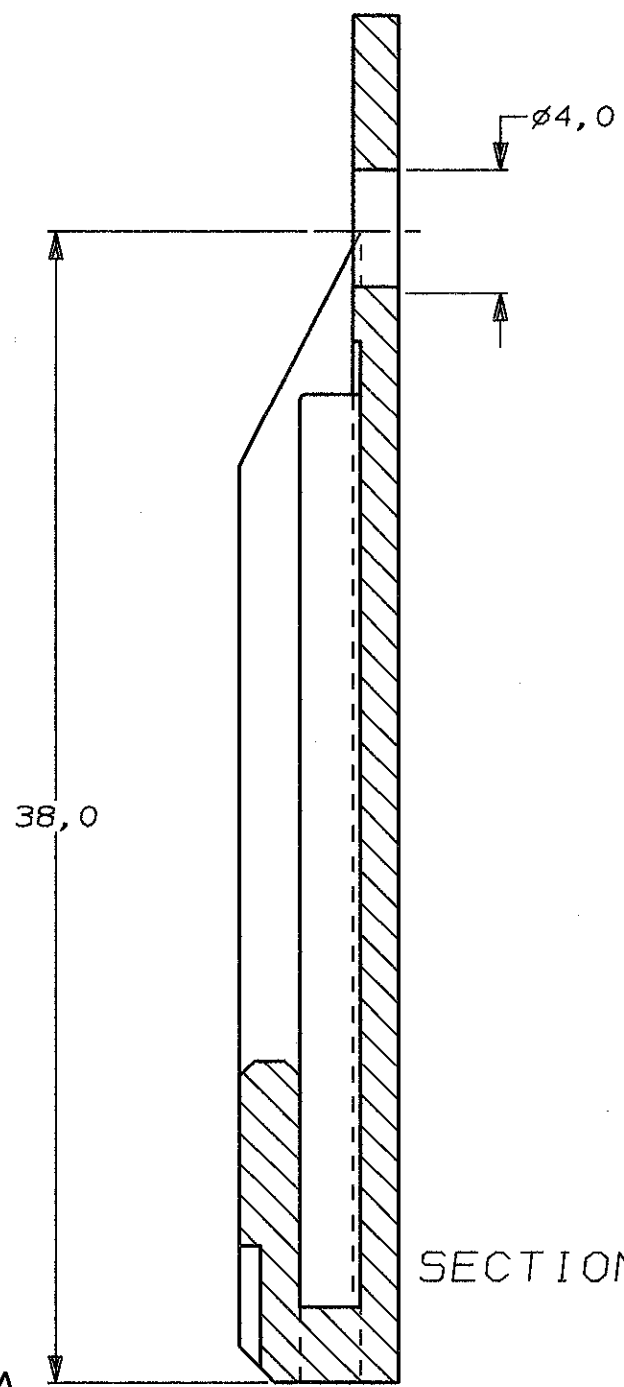
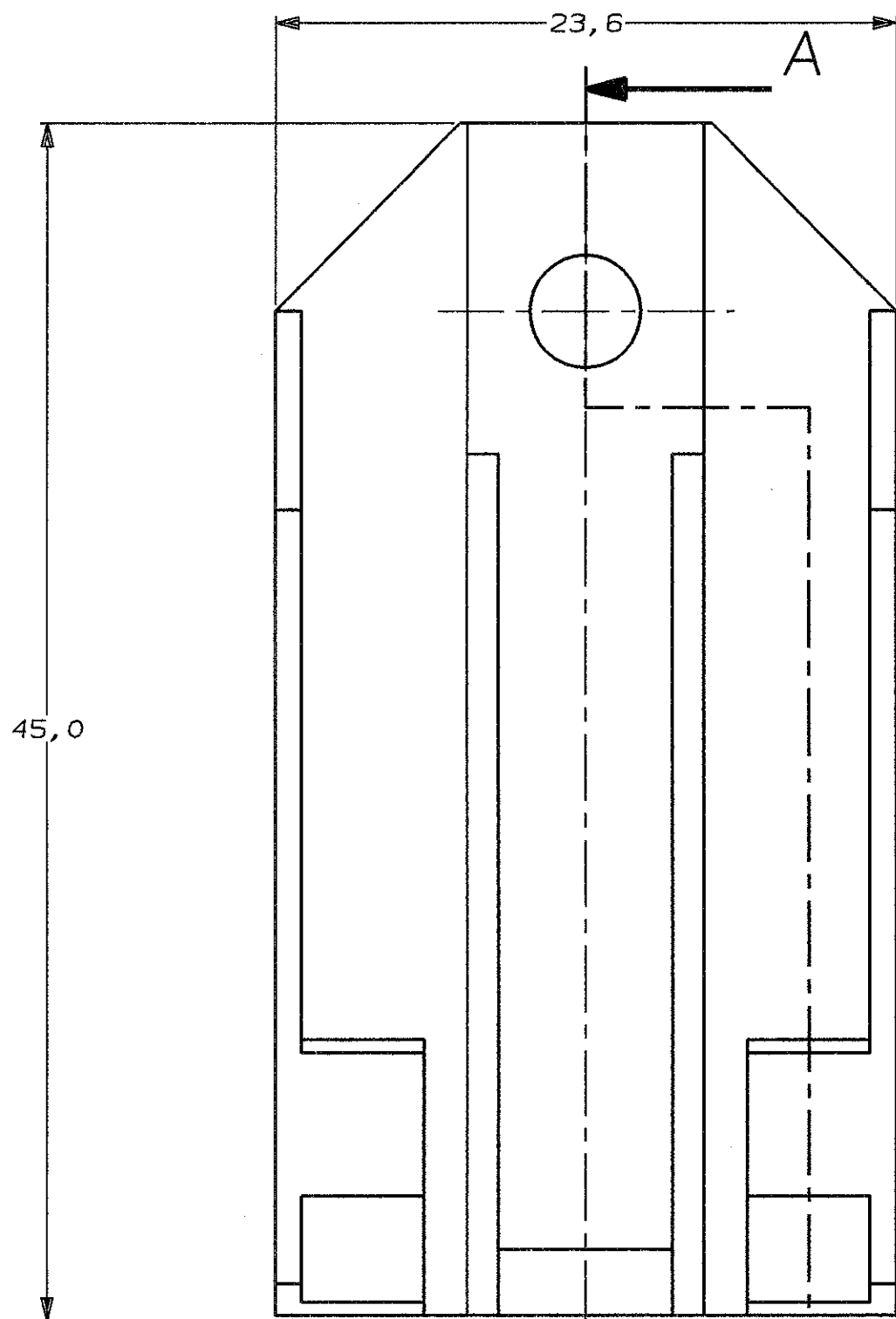
METRIC

THIRD ANGLE  
PROJECTION

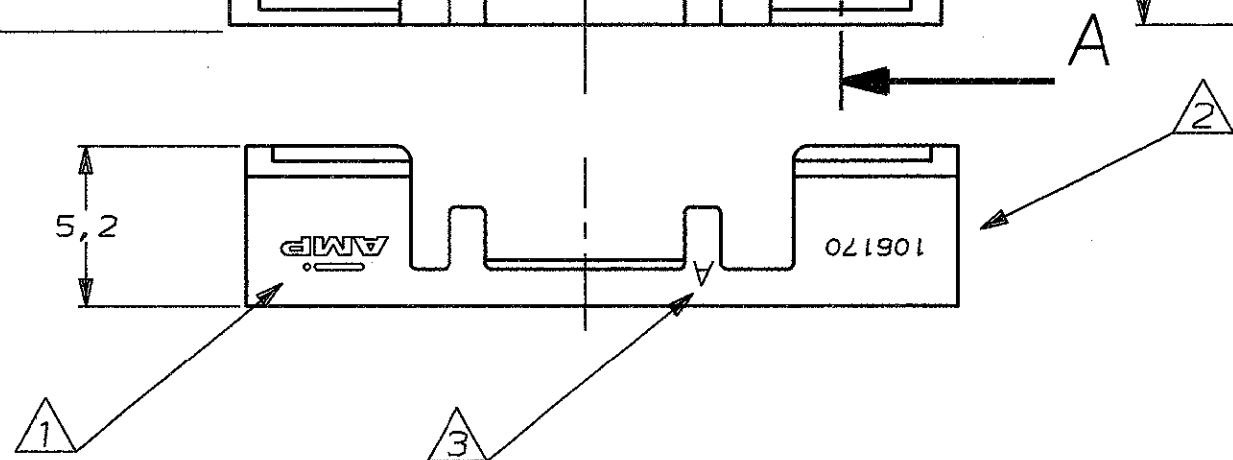


NOTES:

- ① AMP TRADEMARK
- ② AMP IDENTIFICATION NUMBER
- ③ POCKET IDENTIFICATION NUMBER



SECTION X-X



BLACK  
FINISH

PBT  
MATERIAL

106170-1  
PARTNUMBER

**CUSTOMER DRAWING** FOR REFERENCE ONLY  
WILL NOT BE UPDATED  
© COPYRIGHT 19- BY AMP HOLLAND B.V.  
ALL INTERNATIONAL RIGHTS RESERVED. AMP PRODUCTS MAY BE  
COVERED BY U.S. AND FOREIGN AND/OR PATENTS PENDING.  
THIS DRAWING IS UNPUBLISHED  
RELEASED FOR PUBLICATION

**AMP** AMP HOLLAND B.V.  
's-Hertogenbosch,  
The Netherlands.

NAME  
**BRACKET FOR RELAIS-  
AND FUSE HOUSING**

B	EH-0826-93	DK	RotB	28-10-93
A	EH-0496-93	JvL	RotB	21-07-93
O	EH-0369-93	R.O.	R.O.	22 JUN 93
LTR.	REVISION RECORD	DR.	CHK.	DATE
DR.:	R.OP TEN BERG	CHK.:	-	APP.:
DATE:	22 JUN 93	DATE:	-	DATE:
				A.V.SOEST
				2-11-93

DWG. No. **C-106170**  
REV. LTR. **B** SHEET **1 OF 1**