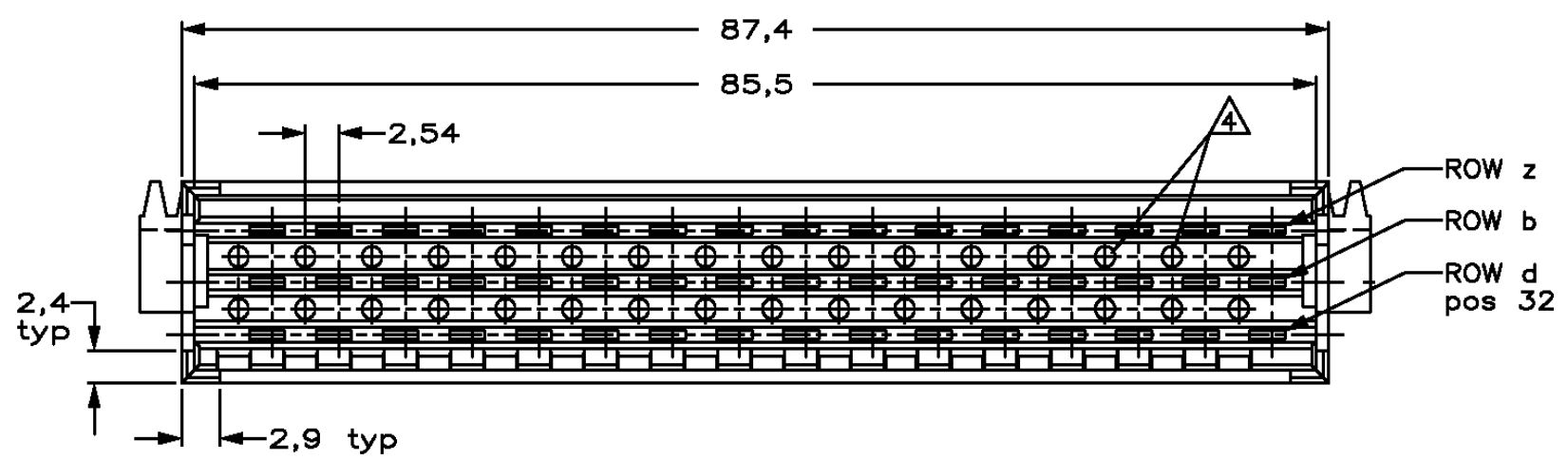
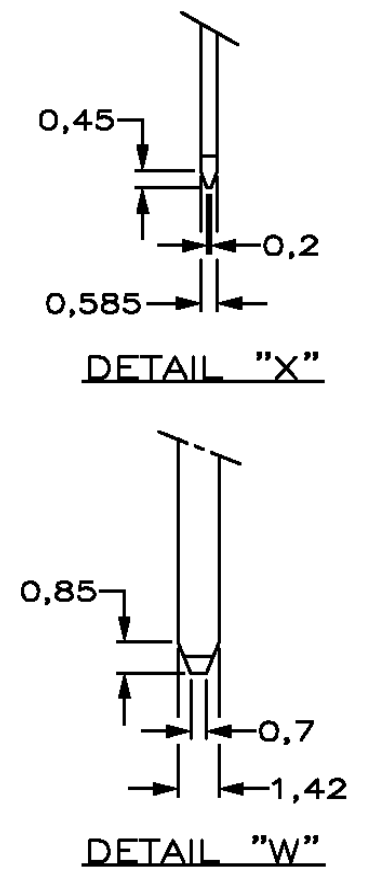
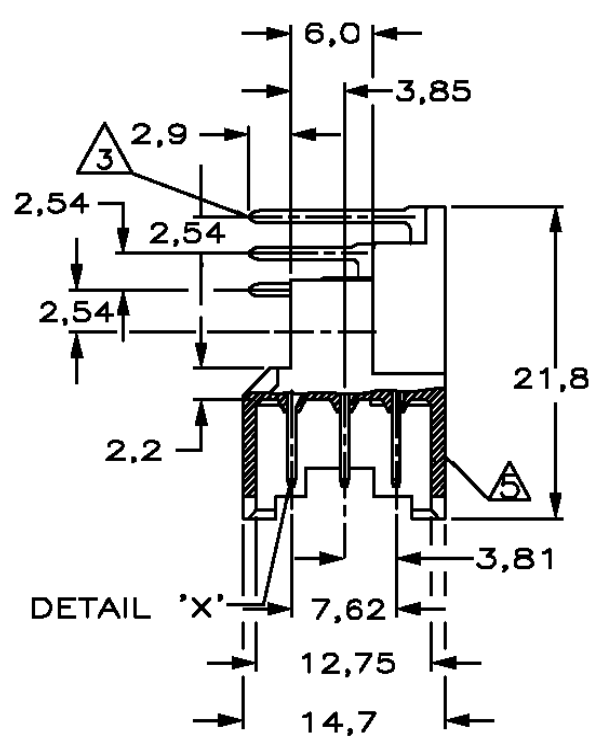
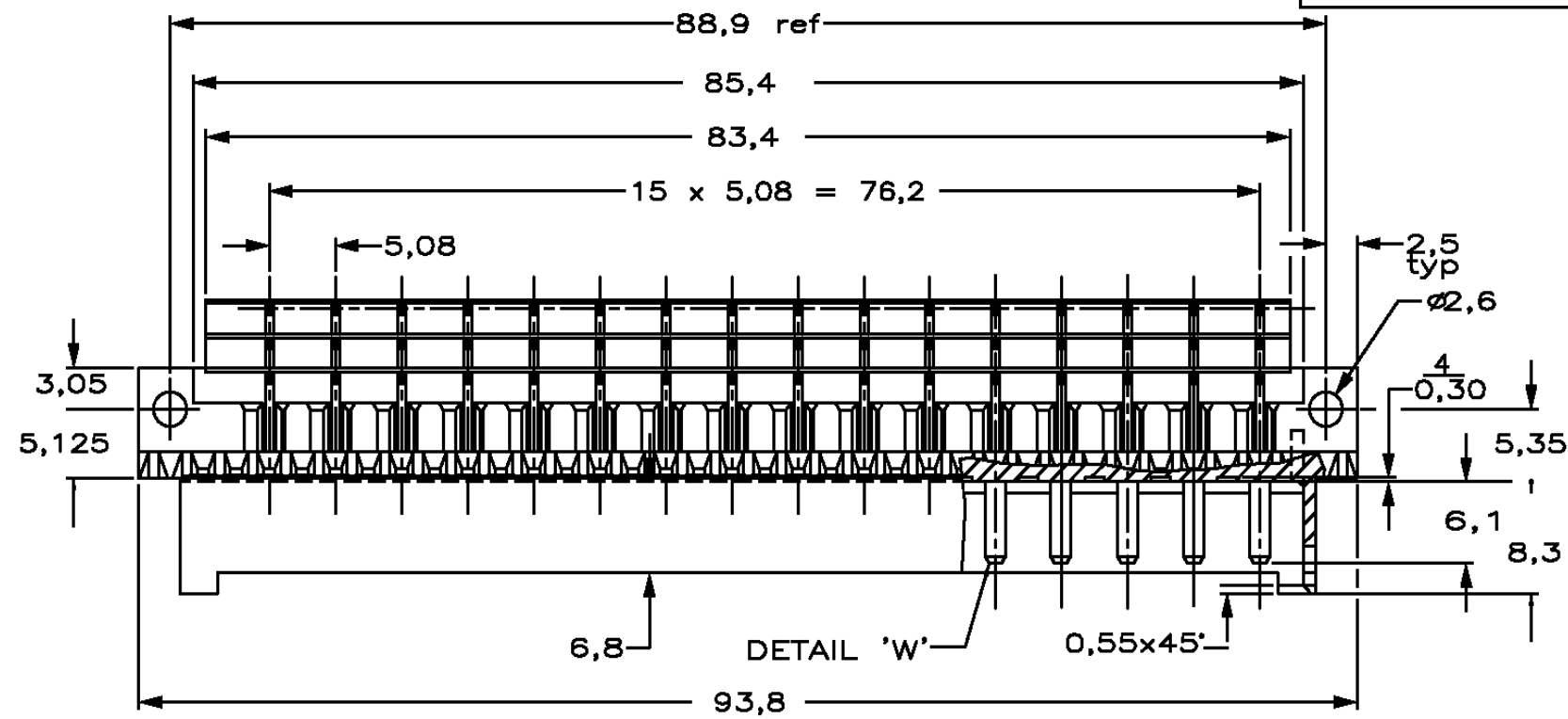


DO NOT SCALE
DIMENSIONS IN mm

METRIC

THIRD ANGLE PROJECTION



POS. NO	2	4	6	8	10	12	14	16	18	20	22	24	26	28	30	32
F 48 ROW N	X	X	X	X	X	X	X	X	X	X	X	X	X	X	X	X
F 48 ROW D	X	X	X	X	X	X	X	X	X	X	X	X	X	X	X	X
F 48 ROW U	X	X	X	X	X	X	X	X	X	X	X	X	X	X	X	X

AN ASTERISK „X” DENOTES A STANDARD CONTACT.

NOTES

- 1 MATERIAL:
-HOUSING: THERMOPLASTIC POLYESTER, COLOR GREY.
-CONTACTS: BRASS.
- 2 PLATING CONTACT: CONFIRMS TO IEC 60603-2 PERFORMANCE LEVEL II REQUIREMENT IN CONTACT AREA, Sn OVER Ni IN SOLDER POST
- 3 SOLDER POSTS SUITABLE FOR P.C.B. HOLES
0,8±0,05 OR 1,0±0,1 DIA.
- 4 KEYING HOLES TO BE DRILLED BY CUSTOMER.
- 5 PRINTING AT THIS SIDE.

		SEE NOTE 2	SEE NOTE 1	106302-4
		FINISH	MATERIAL	PARTNUMBER
		-	-	-
		CUSTOMER DRAWING FOR REFERENCE ONLY WILL NOT BE UPDATED		
		© COPYRIGHT 19 - BY Tyco Electronics EC N.V. ALL INTERNATIONAL RIGHTS RESERVED. AMP PRODUCTS MAY BE COVERED BY U.S. AND FOREIGN AND/OR PATENTS PENDING. THIS DRAWING IS UNPUBLISHED RELEASED FOR PUBLICATION		
D	PER ECO-17-002455	SY	SY	21-02'17
C	SR10-0015-01	BC	BC	11-01-01
B	EH-1261-95	J.G.	R.v.L	24-10-95
A	EH0637-93	R.v.L	J.v.G	15.09.93
O	H-9853	R.v.L	J.v.G	25.03.93
LTR.	REVISION RECORD	DR.	CHK.	DATE
DR.:	R.V.LOKVEN	CHK.:	J.V.GRUNSVEN	APP.:
DATE:	25.03.93	DATE:	25.03.93	DATE:
		LVS.OEST		DWG.No.
		C- 106302		REV.LTR.
		D		SHEET
		1 OF 1		A3